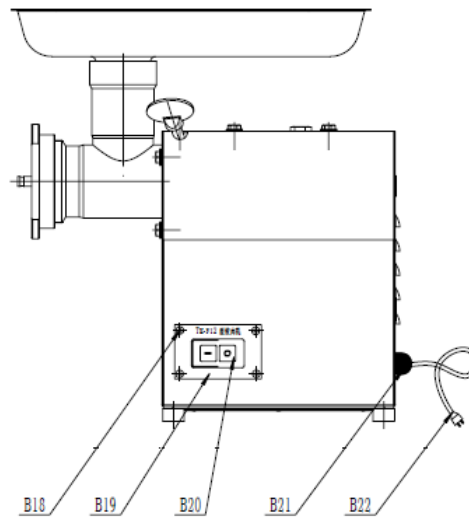
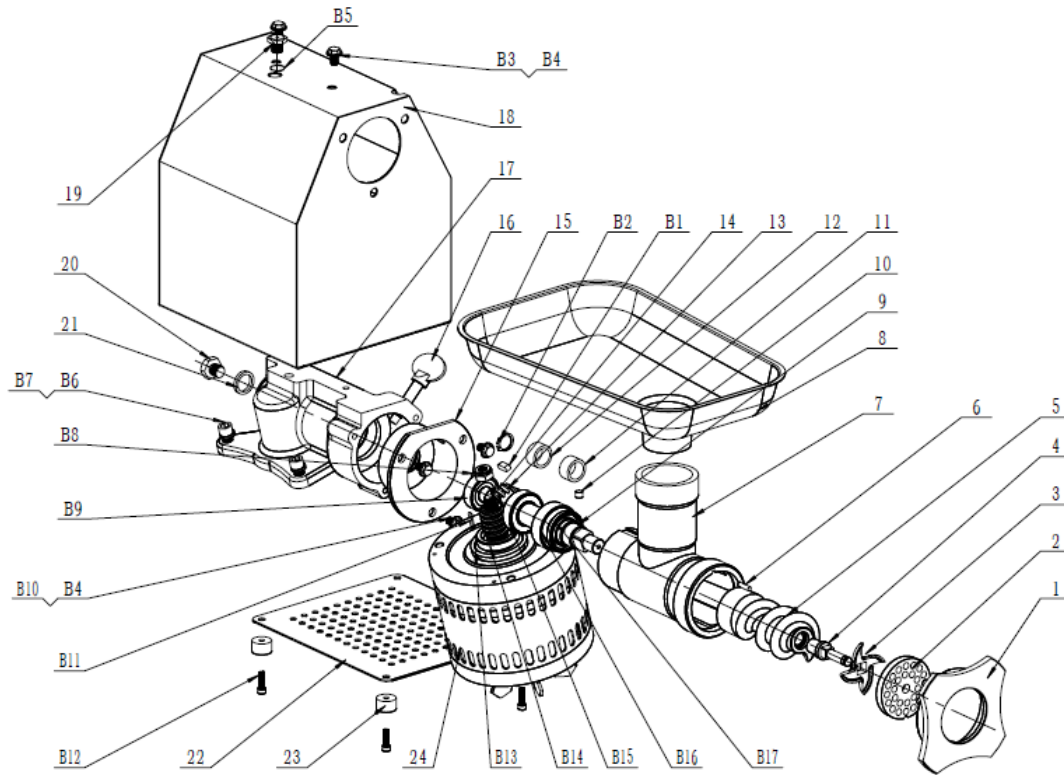


МЯСОРУБКА STARFOOD HME12CRA



МЯСОРУБКА STARFOOD HME12CRA

1	Door cover
2	Orifice
3	Cross blade
4	Cage small shaft
5	Twisted cage
6	Orifice positioning pin
7	Tee
8	Meat plate (inline type)
9	Output shaft
10	Gearbox and tee positioning pin
11	Long sleeve
12	Short sleeve
13	Copper worm gear
14	Worm
15	bushing
16	Three-way locking bolt
17	Gearbox
18	cabinet
19	M12 hexagon head oil hole bolt
20	M14 hexagon head bolts
21	M14 hexagon head bolt paper pad
22	Plastic floor
23	Plastic feet
24	Motor (copper wire)
B1	Flat key (Type A)
B2	Circlip for shaft
B3	Hex head bolt-full thread
B4	Flat Washers
B5	O-ring
B6	Socket head cap screws
B7	Standard type spring washer 10
B8	Hex lock nut
B9	Deep groove ball bearings 6203-RZ
B10	Hex head bolt-full thread
B11	Flat key (Type A)
B12	Socket head cap screws
B13	Motor back cover O-ring
B14	FB oil seal
B15	Deep groove ball bearings 6204-RZ
B16	Deep groove ball bearings 6205-RZ
B17	Oil seal
B18	Cross recessed pan head screws H type
B19	Signage
B20	Rocker switch
B21	Cable screw connector
B22	power cable