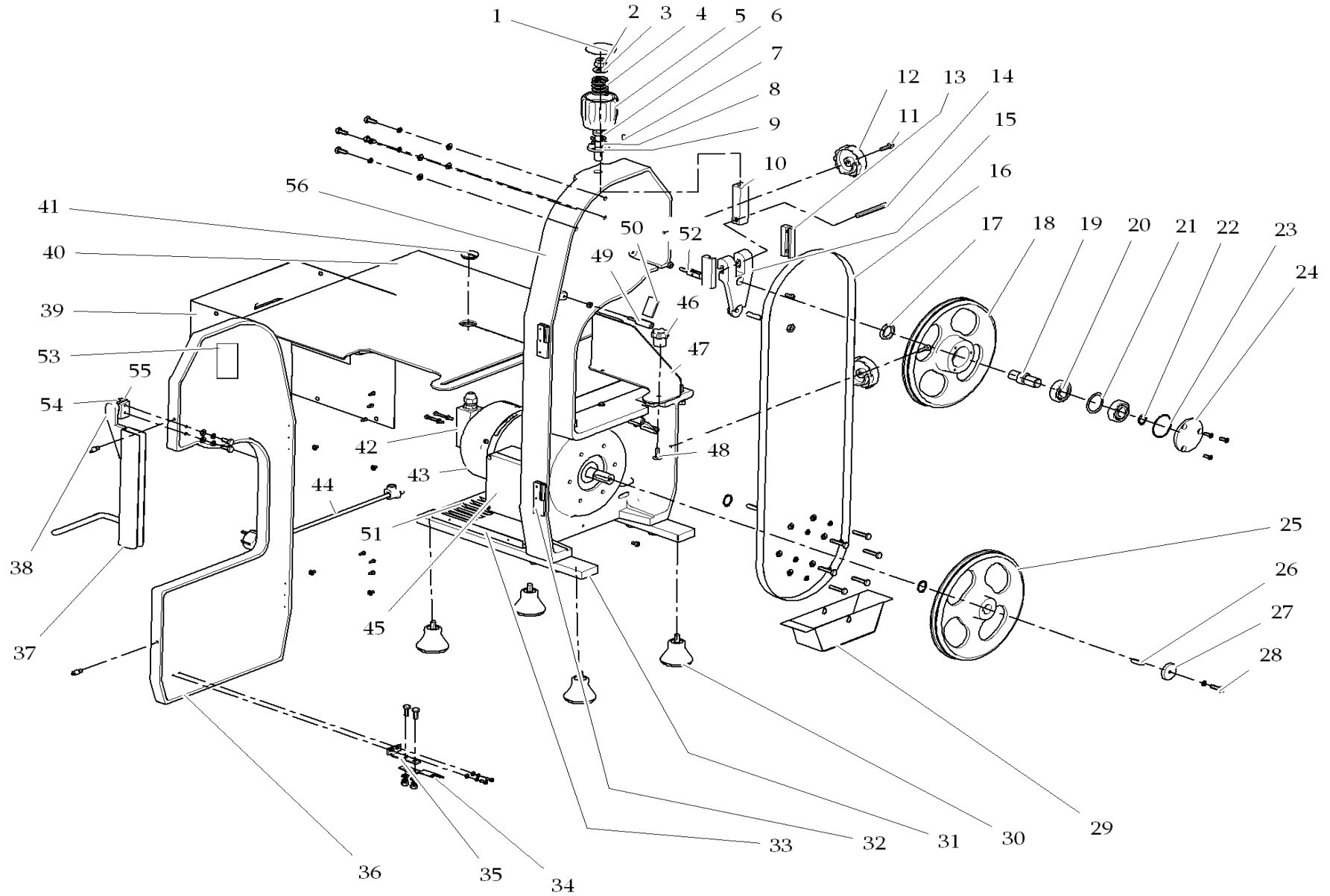


Exploded Drawing of Bone Saw HLS-1650A



Code	Part Name	@ price:USD
1	adjusting handle for saw	15.98
2		
3		
4		
5		
6		
7		
8		
9		
10	threaded sleeve	2.90
11	S/S screw	
12	knob	0.80
13	guide plate	
14	small axis	
15	adjusting slider	4.10
16	saw	9.20
17	rubber sealing	0.80
18	wheel	31.00
19	spindle for wheel	3.30
20	bearing	1.40
21	gasket	0.00
22	block ring for bearing	0.00
23	O ring	0.00
24	cover for wheel	1.20
25	wheel	39.30
26	pin	0.00
27	block ring for bearing	0.00
28	Hexagonal stainless steel screws	0.00

Code	Part Name	@ price:USD
29	locker for roumo	4.90
30	leg	1.20
31	bottom	4.90
32	hinge	0.30
33	steel supporting	1.00
34	bending board	0.00
35	supporting for bending board	0.40
36	cover for saw	38.00
37	protecting for saw	4.10
38	seat for shaft	2.40
39	cover for motor	6.50
40	table	54.90
41	saw guide	3.70
42	microswitch for cover of saw	5.80
43	motor	99.30
44	power record	1.90
45	electric part	7.60
46	handle	0.70
47	locring plate	6.30
48	locking spindle	1.20
49	seat of scraper	1.20
50	scraper	0.50
51	protecting board for motor	0.70
52	guide axis	1.80
53	switch	5.70
54	seat of protecting for saw	5.20
55	shaft	1.70
56	body	59.60