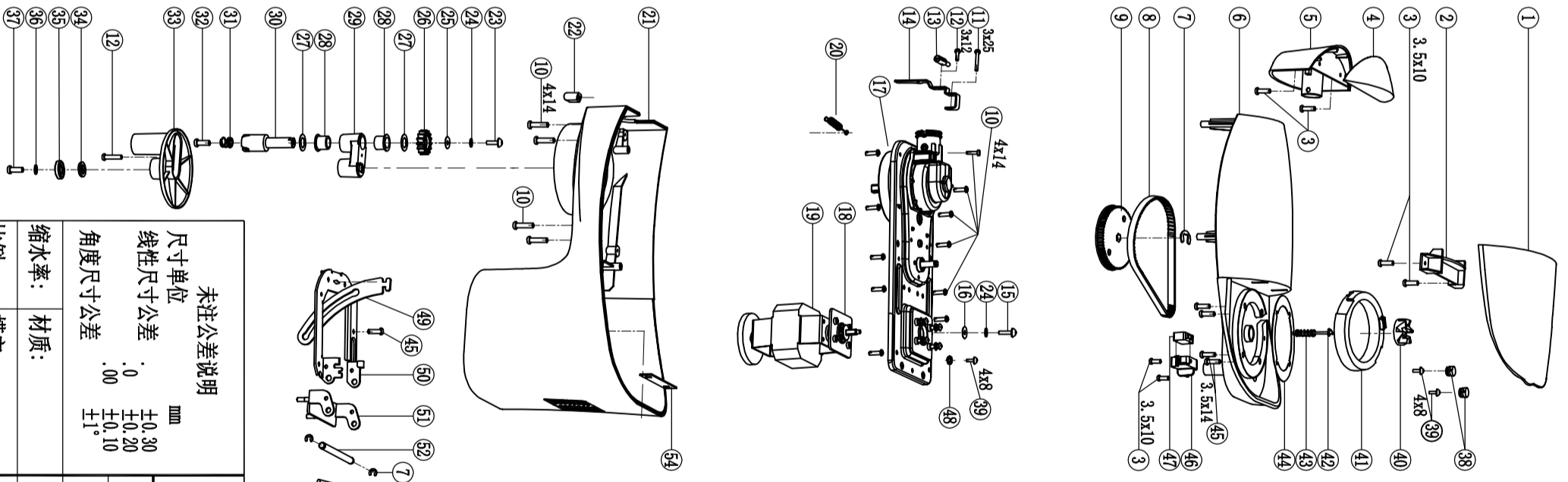
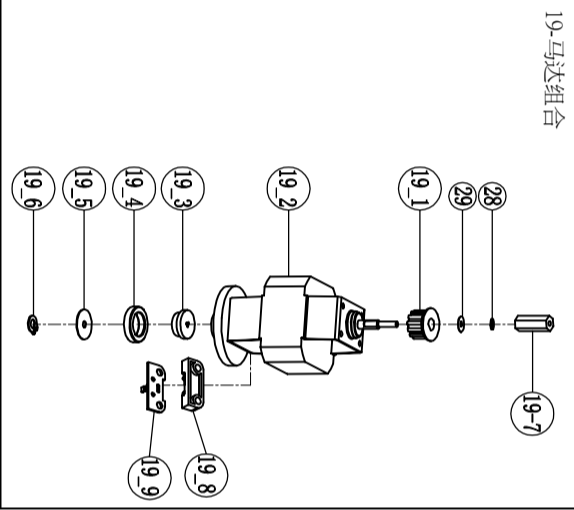
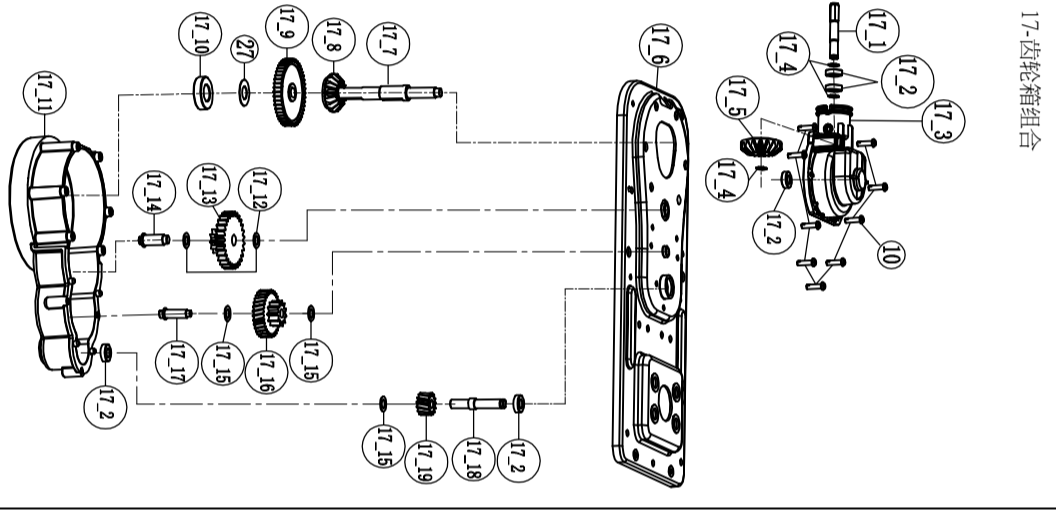


No.	Part Name	Specification	QTY.	No.	Part Name	Specification	QTY.
1	Caudal cover	ABS AG15A1	1pc	44	SUS Ring	Φ110,10.5mm SUS304	1pc
2	Caudal cover Bracket	ABS AG15A1	1pc	45	Screw	PT3.5*14mm	8pcs
3	Screw	PT3.5*10,Steel	8pcs	46	Caudal cover switch bracket	ABS AG15A1	1pc
4	Front Cover-Upper	ABS AG15A1	1pc	47	Switch		1pcs
5	Front Cover-Lower	ABS AG15A1	1pc	48	Chrysanthemum Meson	Φ4.1mm 65Mn	1pcs
6	Body Cover-Upper	ABS AG15A1	1pc	49	Guide Sheet	Zn plated steel,l=2.5	1pc
7	Φ6 E-Buckle	Steel	5pcs	50	Upper Revolve Bracket	Zn plated steel,l=2.0	1pc
8	Strap	Rubber	1pc	51	Lower Revolve Bracket	Zn plated steel,l=2.5	1pc
9	Big Sticks Wheel Group	PA66+30%GF	1pc	52	Rise Rotate Axis	45#steel Φ8.5mm	1pc
10	Screw	PT4*14mm,Steel	29pcs	53	Big Spring	Plano Wire Φ3.2mm	1pc
11	M3 Screw	PM3*25mm,Steel	1pc	54	Hall PCB	T=1.6mm,73*14mm	1pc
12	Screw	PM3*12mm,Steel	2pcs	55	Under-Body	ABS AG15A1	1pc
13	Fixed Pin	Steel	1pc	56	Spring Bracket	PPS	1pc
14	Latch	Zn plated steel	1pc	57	Knob Axis Spring	Φ1.4mm OD=18.4	1pc
15	Screw	BM5*19mm,steel	4pcs	58	Fixed Plate	Zn plated steel,l=2.0	1pc
16	Flat washer	Steel Φ10*Φ5.1*1.0mm	4pcs	59	Rise Shaft Axis	45#steel Φ8.0mm	1pc
17	Gear Case Assy		1	60	Shaft knob	Aluminum Alloy	1pc
17.1	Big Bevel Gear Axis	Steel,45#	1pcs	61	Screw	CM5*10mm,Steel	4pc
17.2	Ball Bearing	Φ16*Φ8*5mm	5pcs	62	Hexagon Nut	M5,Steel	3pc
17.3	Gear Case Cover	PA66+30%GF	1pc	63	Screw	PT3*8mm,Steel	3pc
17.4	Φ8 C-Buckle	Steel	3pc	64	Power PCB	T=1.6mm 100*86mm	1pc
17.5	Big Bevel gear	Iron Based powder metallurgy	1pc	65	Ratchet wheel	POM	1pc
17.6	Motor Bracket	Steel plated steel,l=1.5	1pc	66	Screw	PWT3*8mm	1pc
17.7	Big Gear Axis	Steel,45#	1pc	67	Spring	Φ1.0mm SUS304	1pc
17.8	Small Bevel gear	Iron Based powder metallurgy	1pc	68	Switch Bracket	ABS AG15A1	1pc
17.9	Big Column Gear	Iron Based powder metallurgy	1pc	69	knob	ABS AG15A1	1pc
17.10	Ball Bearing	Φ24*Φ12*6mm	1pc	70	Rise switch holder	ABS AG15A1	1pc
17.11	Gear Case	PA66+30%GF	1pc	71	Switch	KW3A 250V/16(4)A	2pc
17.12	Washer	Φ15*Φ10.1*0.5mm	2pc	72	Power Cord Clamp	PA66	1pc
17.13	Two Straight Tooth Gear	Iron Based powder metallurgy	1pcs	73	Bottom Cover	ABS AG15A1	1pc
17.14	Two Straight Tooth Gear Axis	Steel	74	Power Cord	H05VV-F 3x0.75mm	1pc	
17.15	Washer	Φ12*Φ8.1*0.5mm	3pc	75	Silicone Rubber foot	Φ2.5*Φ8.5 Silicone	6pc
17.16	A Bevel Wheel	Iron Based powder metallurgy	1pc				
17.17	A-T-Gear Axis	Ø8 L=32mm	1pc				
17.18	Big Strap Wheel Axis	Steel,45#	1pcs				
17.19	Small Bevel Wheel	Iron Based powder metallurgy	1pcs				
18	Cushion Block	ABS PA-757	2pcs				
19	Motor Assy		1				
19.1	Small Sticks Wheel	Iron Based powder metallurgy	1pc				
19.2	Motor	GP9840M23	1pc				
19.3	Magnetic Fixing Sleeve	Rubber, A55~60	1pc				
19.4	Magnetic Ring	Φ24*Φ16*T.5mm	1pc				
19.5	Washer	Φ20*Φ4.5*T.0mm	1pc				
19.6	Φ3 E-Buckle	Φ3*T0.8mm	1pc				
19.7	Hexagon Nut	HEX8.0mm L=15mm	1pc				
19.8	Hall PCB Bracket	PA66+30%GF	1pc				
19.9	Hall PCB	T=1.6mm,36*8*15.4mm	1pc				



G5 Version
 Model : SM-1089
 Model Name : Food Mixer
 Rate: 220~240V, 50/60Hz
 Motor : 1200W

未注公差说明	
尺寸单位	mm
线性尺寸公差	±0.30
角度尺寸公差	±0.20
	±0.10
	±1°
缩水率:	材质:
比例:	模穴:

东莞市宏图模具实业有限公司	
产品编号: SM-1089 整机	设计:
零件编号:	审核:
零件名称: Explode Drawing	批准:
表面:	版本: A
日期:	日期:
日期:	日期:
单位:mm	

