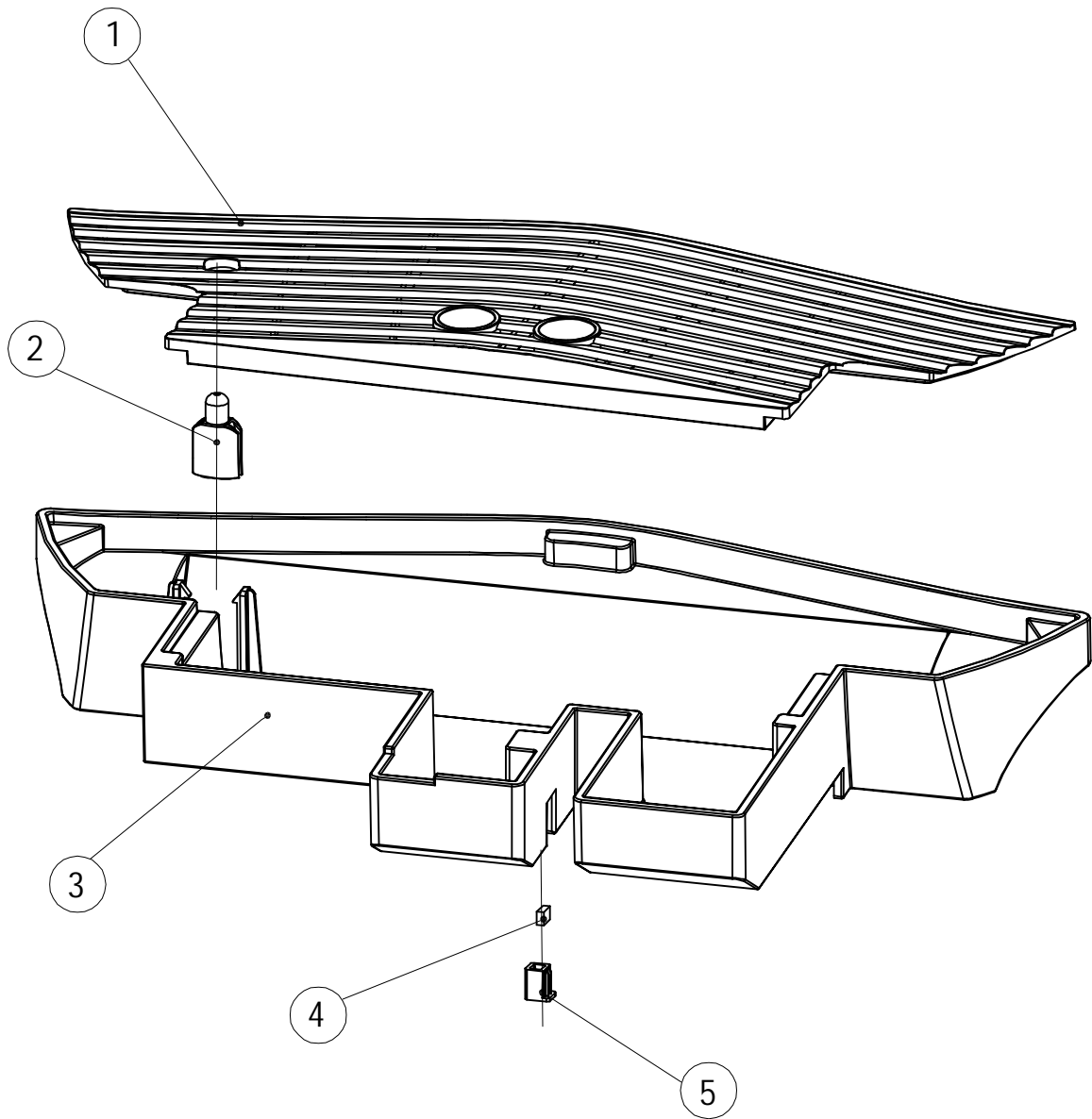


ME-709-60102



5	Magnetism cover of drip tray	ME-707-10304	PP	1	
4	Drip tray magnetism	ME-707-20502	NdFeB	1	
3	Drip tray	ME-709-10107	ABS PA757	1	
2	Drip tray floater	ME-707-10303	PP	1	
1	Drip tray cover	ME-709-10108	ABS PA777E	1	

NO.	NAME	Dwg NO.	Material & Specification	Qty	Remark
-----	------	---------	--------------------------	-----	--------

					Drip tray Subassembly		ME-709-00102			
							Edition	VIEW	Qty	SCALE
Sign	Qty	File NO.	Signature	Date			1.0		1	
Design					Auditing					
Norm					Approve					
							Current 1 sheet Total 1 sheet Ningbo Merol Coffee Machines Co., Ltd.			