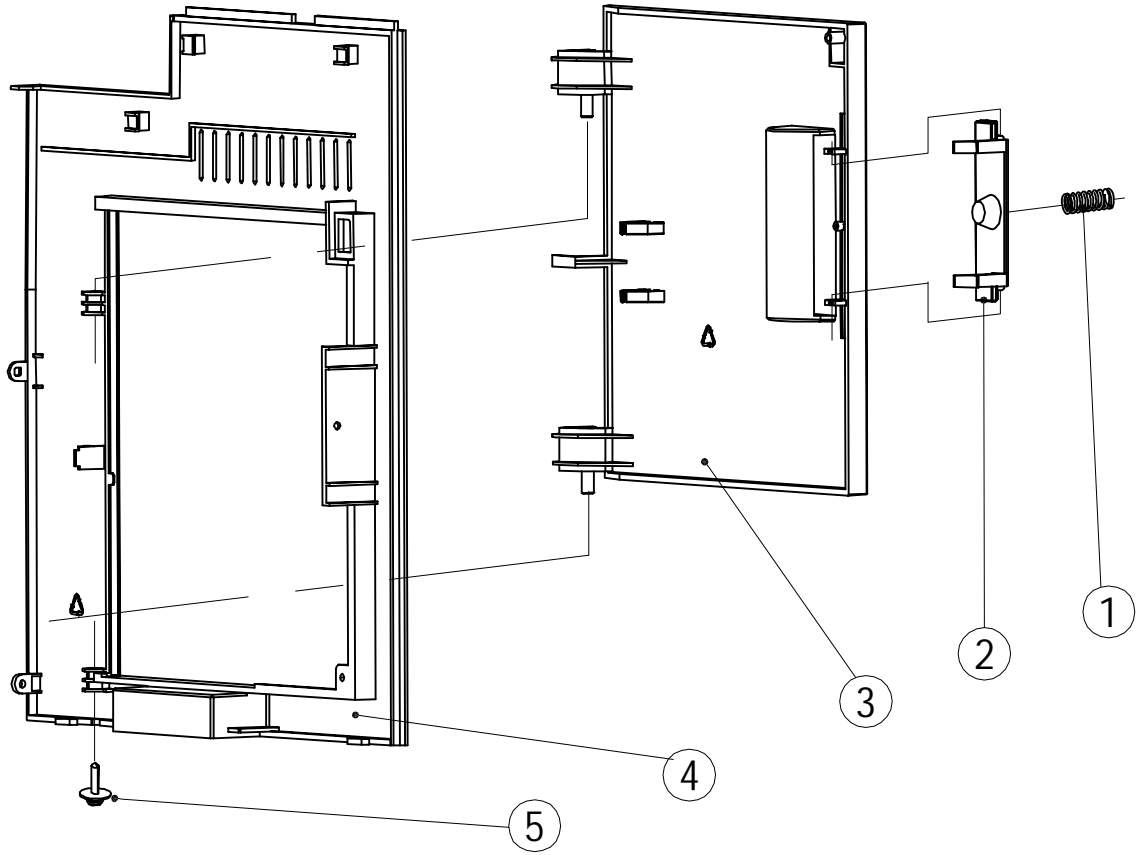


ME-707-00800



5	SCREW			1	∅3X12
4	Right panel	ME-707-10103		1	
3	Brewage door	ME-707-10801		1	
2	Door button	ME-707-10802		1	
1	Door button spring	ME-707-20801		1	φ0.8 N:9 L:17.5
NO.	NAME	Dwg NO.	Material & Specification	Qty	Remark

					Brewage_door suassembly		ME-707-00800			
							Edition	VIEW	Qty	SCALE
							1.0		1	1:1
Sign	Qty	File NO.	Signature	Date			Current 1 sheet		Total 1 sheet	
Design					Auditing					
Norm					Approve					
							Ningbo Merol Coffee Machines Co., Ltd.			