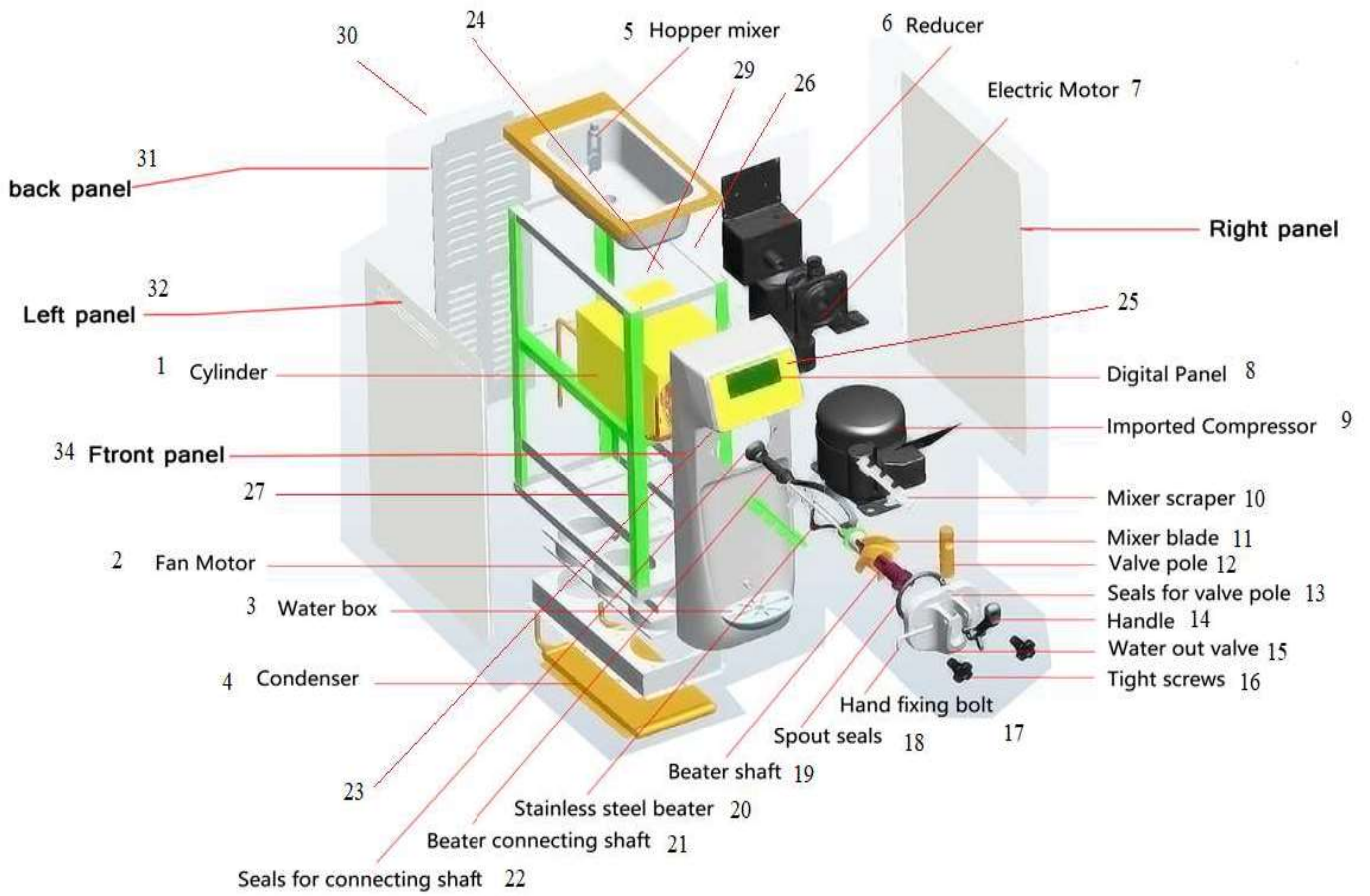


**ФРИЗЕР ДЛЯ МОРОЖЕНОГО HURAKAN HKN-BQ6TP**


**ФРИЗЕР ДЛЯ МОРОЖЕНОГО HURAKAN HKN-BQ6TP**

<b>Поз</b>	<b>Наименование детали</b>
<b>1</b>	Cylinder
<b>2</b>	Fan motor
<b>3</b>	Water box
<b>4</b>	Condenser
<b>5</b>	Hopper mixer
<b>6</b>	Reducer
<b>7</b>	Electric motor
<b>8</b>	Digital panel
<b>9</b>	Imported Compressor
<b>10</b>	Mixer scraper
<b>11</b>	Mixer blade
<b>12</b>	Valve pole
<b>13</b>	Seals for valve pole
<b>14</b>	Handle
<b>15</b>	Water out valve
<b>16</b>	Tight screws
<b>17</b>	Hand fixing bolt
<b>18</b>	Spout seals
<b>19</b>	Beater shaft
<b>20</b>	Stainless steel Beater
<b>21</b>	Beater connecting shaft
<b>22</b>	Seals for connecting shaft
<b>23</b>	Knock-out switch
<b>24</b>	Flange
<b>25</b>	Panel sticker
<b>26</b>	Mother board
<b>27</b>	Solenoid valve
<b>28</b>	Front panel
<b>29</b>	Air pump
<b>30</b>	Electric cable
<b>31</b>	Back panel
<b>32</b>	Left Side panel
<b>33</b>	Right side panel
<b>34</b>	Front panel