

Pos.	Код	Предыдущий код	Описание	Примечания	From:	To:
0001	LAR14216700		BOILER [C] GEMT07/NA-SAEB071			
0002	LA11207240	LAR11207240	LOWER HINGE KIT [C] M-V/061-101-102 2005			
0003	LAR10201710		AIR FILTER [C] DRAIN M/210-12 D.86/44,5			
0004	LAR69180210		DRAIN CONTAINER [C] N/S071-101 2014			
0005	LA62070023	LAR62070023	BICONE [C] D. 6			
0006	LA14402130	LAR14402130	HINGE [C]			
0007	BN2519490	LAR70010360	GASKET [C] KNOB V-SEAL A40/NBR			
0008	LA70010370	LAR70010370	GASKET [C]			
0009	LA65140930	LAR65140930	CONTACT [C] 1L+1R 3RH2911-1HA11			
0010	LA65240040	LAR65240040	LOCK NUT [C]			
0011	LA58003870	LAR58003870	COUNTER FLANGE [C]			
0012	LA62280038	LAR62280038	CURVE [C]			
0013	LAR58004040		INOX NUT [C] 3/4X8 M/106-120			
0014	LA58004050	LAR58004050	NUT [C]			
0015	LA62060223	LAR62060223	NUT [C] D. 6			
0016	LA58000360	LAR58000360	NUT [C]			
0017	LAR65110330		DOUBLE SOLENOID VALVE 2 WAYS 230V 50/60HZ OUT J.G. D.10			
0018	LA61630011	LAR61630011	ZINC CLAMP [C]			
0019	LA61630031	LAR61630031	ZINC CLAMP [C]			
0020	LA65280480	LAR65280480	FERRITE [C]			
0021	LA65280490		TOROIDAL FERRITE [C] FT36			
0022	LA69180250	LAR69180250	FILTER [C] CONTAINER DRAIN			
0023	LA65280230	LAR65280230	AIR FILTER [C]			
0024	LA58003860	LAR58003860	FLANGE [C] GASKET			
0026	LA70020040	LAR70020040	GASKET [C]			
0026	LA70050140	LAR70050140	GASKET CAP BOILER			
0027	LA70050150	LAR70050150	GASKET [C] BOILER CAP			
0028	LA70010030	LAR70010030	GASKET [C] 6,07X1,78			
0029	LA70010210	LAR70010210	GASKET [C] 18,72X2,62			
0030	LAR70030180		GRAPHITE GASKETS KIT [C] 80x50,3x3 SET 5 PIECES			
0031	LA70010150	LAR70010150	GASKET [C] 55X35X3			
0032	LA62080093	LAR62080093	JOINT [C]			
0033	LA65450211		INDUCTOR [C] 27 mH 8A			
0034	LAR65140090		INVERTER [C] 0,8KW UL	UL Version (USA-CAN)		
0034	LAR65140100		INVERTER 0,8 KW		01.04.2018	
0034	LAR65141040		INVERTER [C] 0.8KW			30.03.2018

Pos.	Код	Предыдущий код	Описание	Примечания	From:	To:
0035	LA70060080		SILICONE COUPLING [C] D. 13X18X80			
0036	LA70060040	LAR70060040	SILICONE COUPLING [C] D. INNER 51 D. EXTERIOR 59			
0037	LAR75300020		PLATE [C] FAN D. 120			
0038	LA75300050	LAR75300050	PLATE [C] FAN D. 270 N/S071 2014			
0039	LAR65265100		MICROSWITCH [C] DOOR			
0040	LA65220091	LAR65220091	TERMINAL BLOCK [C]			
0041	LA65160550	LAR65160550	SUPPORT [C] HEAT-GUARD 3RU1916-3AA01	UL Version (USA-CAN)		
0041	LA65160620	LAR65160620	HEAT-GUARD [C] 1,4-2,0	UL Version (USA-CAN)		
0041	LAR65040600		MOTOR [C] 220/240V 0,25KW ONE SPEED			
0041	LAR65041300		MOTOR [C] 230V 50/60HZ 0,25KW ONE SPEED	UL Version (USA-CAN)		
0041	LAR65200400		FUSIBILE X MOT. KTK-R-6 600V 6A CL. CC	UL Version (USA-CAN)		
0041	LAR65210110		PORTAFUSIBILE BUSMANN BCC3X38 (2306338)	UL Version (USA-CAN)		
0042	LA69010260	LAR69010260	PRONG [C]			
0042	LAR69010270		DOOR LATCH 2 STEP [C]			
0044	LA58002670	LAR58002670	LOWER PIN [C] HINGE SR 2005			
0045	LA58000370	LAR58000370	PIN [C] UPPER HINGE			
0046	LA58003140	LAR58003140	PIN [C] DEFLECTOR HOOK			
0047	LAR58003110		PIN [C] DEFLECTOR CLAMPING			
0048	LAR65095000		RELEASE MOTOR [C] COMPLETE - 1 CAM			
0049	LA65210020	LAR65210020	FUSE CARRIER [C] 5X20			
0050	LAR65240030		FAIRLEAD [C]			
0051	LA62090528	LAR62090528	CURVED CONNECTOR [C] 10X10			
0052	LA62090633	LAR62090633	CURVED CONNECTOR [C] 10/10			
0053	LA62090918	LAR62090918	INTERMEDIATE CURVED CONNECTOR D.10			
0054	LA62090908	LAR62090908	INTERMEDIATE STRAIGHT CONNECTOR [C] D. 10 SPEEDFIT			
0055	LA62090478	LAR62090478	INTERMEDIATE CURVED CONNECTOR [C] D. 10			
0056	LA65110580		FLOW REGULATOR [C] PINK 9LT/H			
0057	LAR65011930		HEATING ELEMENT [C] 10000W 230V			
0057	LAR65011940		HEATING ELEMENT [C] 10000W 208V	UL Version 208V (USA-CAN)		
0057	LAR65011970		HEATING ELEMENT [C] 10000W 277V D.8,5	UL Version 277V (USA-CAN)		
0058	LA65020310	LAR65020310	HEATING ELEMENT [C] 7500W 208V BOILER ME/106-110	UL Version 208V (USA-CAN)		
0058	LA65020340	LAR65020340	HEATING ELEMENT [C] 7500W 277V BOILER	UL Version 277V (USA-CAN)		
0058	LA65020350	LAR65020350	HEATING ELEMENT [C] 7500W 230V BOILER ME/105-106			

Pos.	Код	Предыдущий код	Описание	Примечания	From:	To:
0059	LA58004010	LAR58004010	WASHER [C] D. 30/12,5			
0060	LAR69180120		BOX [C] DRAIN PIPE G/MV T06-T10-T21			
0061	LA65320010	LAR65320010	LEVEL PROBE [C]			
0062	LAR65320220		PROBE [C] K L. 1,5M			
0064	LA69150100	LAR69150100	CAP [C]			
0065	LA69150110	LAR69150110	CAP [C]			
0066	LAR58006690		CAP [C] SERIE 2014			
0067	LA65140900		CONTACTOR [C]			
0068	LA65070380	LAR65070380	THERMOSTAT [C] 150Å°C	UL Version (USA-CAN)		
0068	LAR65070081		THERMOSTAT [C] BOILER			
0069	LA65070350	LAR65070350	THERMOSTAT [C] 360Å°C-25K			
0069	LA65070370		THERMOSTAT [C] 360Å°C	UL Version (USA-CAN)		
0070	LA65180420		TRANSFORMER [C] 20VA 0-220-240/12V			18.10.2019
0070	LA65187260		BALLAST [C] LED APV-12-12	LED	21.10.2019	
0071	LA65180430		TRANSFORMER [C] 40VA 0-220-240/12V			
0071	LA65187110		TRANSFORMER [C] 40VA 2.5/12/24V	UL Version (USA-CAN)		
0072	LA80150000		LIGHT BLUE POLYETHYL PIPE D. 10X7MM			
0073	LA80150060	LAR80150060	PIPE [C] PEX-B D. 10MM L.100M			
0074	LA58000740		NOZZLE [C] D. 0,80	Su tubo scarico / On drain pipe		
0074	LA58006160		NOZZLE [C] D. 0,80	Su scatola condensazione / On quenching box		
0075	LAR65110571		VALVE [C] 230V			
0076	LA65060050	LAR65060050	FAN [R] D. 120 4715MS 23T			
0077	LA75400570	LAR75400570	FAN [C] D.240X80/6 P.D. 50HZ . K_081 T07			
0078	LA61260152	LAR61260152	SCREW [C] TCB A2 M4X10 UNI7687			
0079	LA58004000	LAR58004000	SCREW [C] M12X1.5			
0080	LA61020562	LAR61020562	SCREW [C] M6X55 UNI 5737			

LAINOX
DEVICE FOR COOKING

LAINOX
DEVICE FOR COOKING

LAINOX
DEVICE FOR COOKING

LAINOX
DEVICE FOR COOKING

LAINOX
DEVICE FOR COOKING

LAINOX
DEVICE FOR COOKING

LAINOX
DEVICE FOR COOKING

LAINOX
DEVICE FOR COOKING

LAINOX
DEVICE FOR COOKING

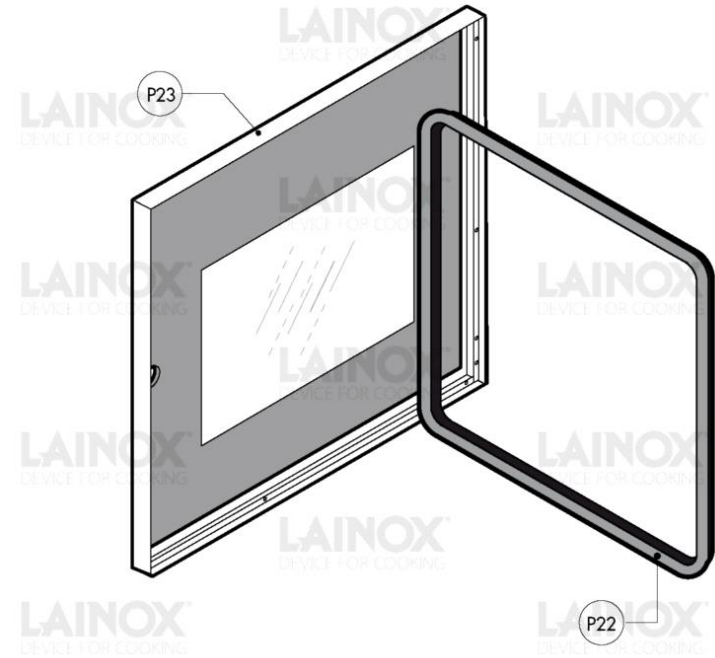
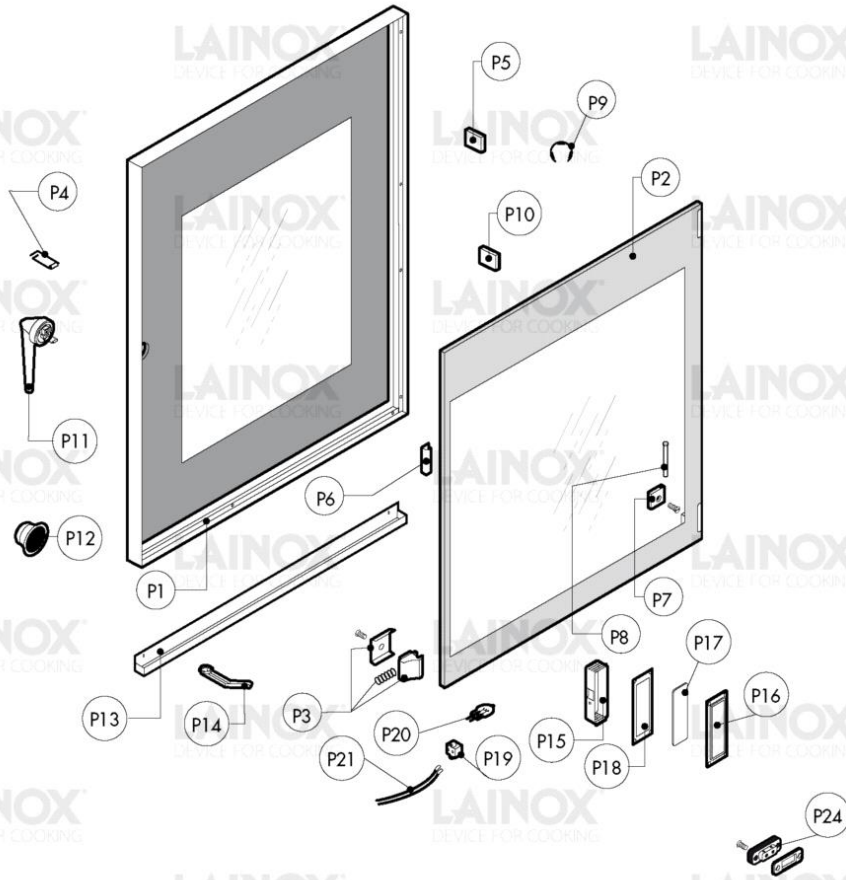
LAINOX
DEVICE FOR COOKING

LAINOX
DEVICE FOR COOKING

LAINOX
DEVICE FOR COOKING

LAINOX
DEVICE FOR COOKING

LAINOX
DEVICE FOR COOKING



LAINOX
DEVICE FOR COOKING

LAINOX
DEVICE FOR COOKING

LAINOX
DEVICE FOR COOKING

LAINOX
DEVICE FOR COOKING

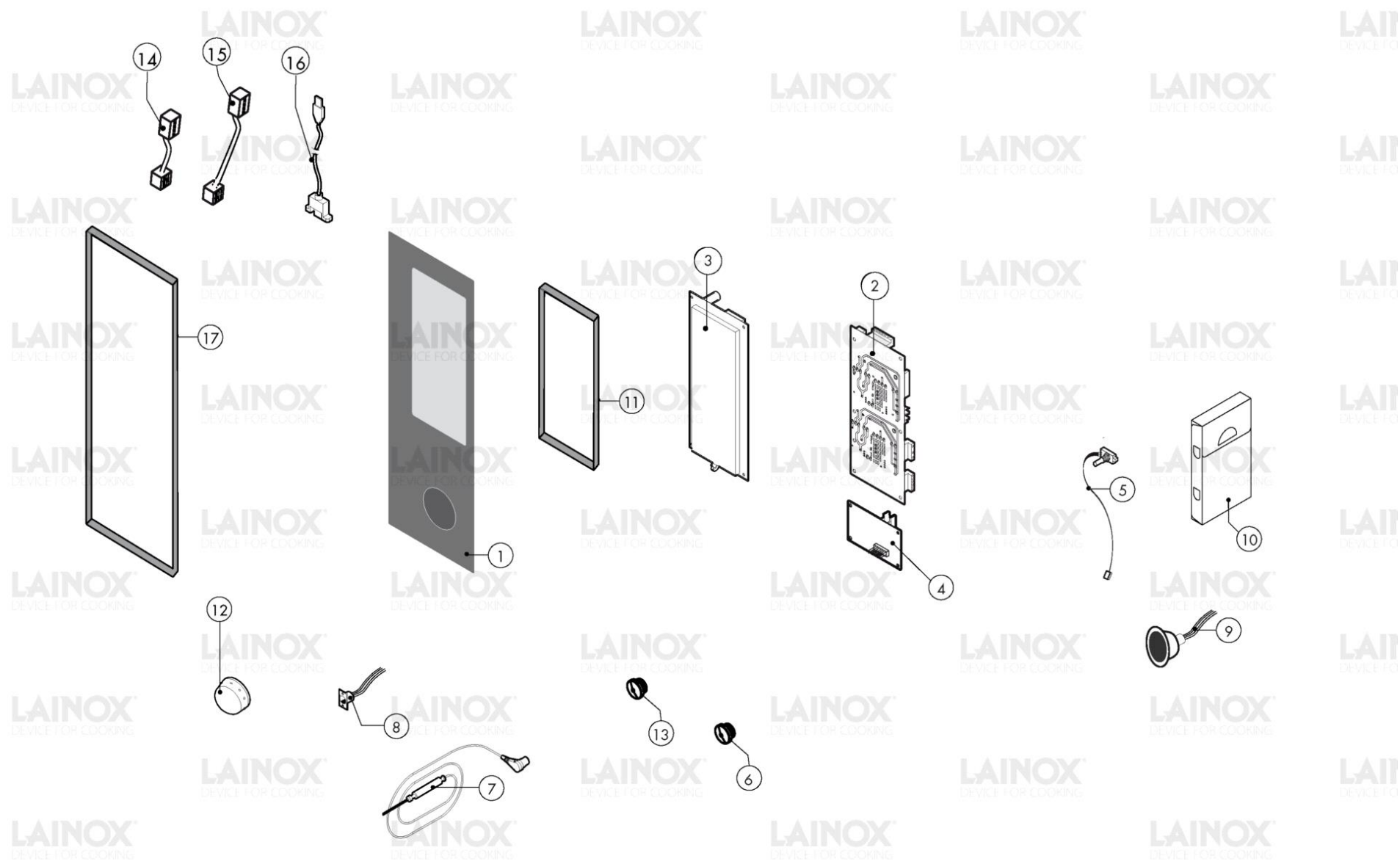
LAINOX
DEVICE FOR COOKING

LAINOX
DEVICE FOR COOKING

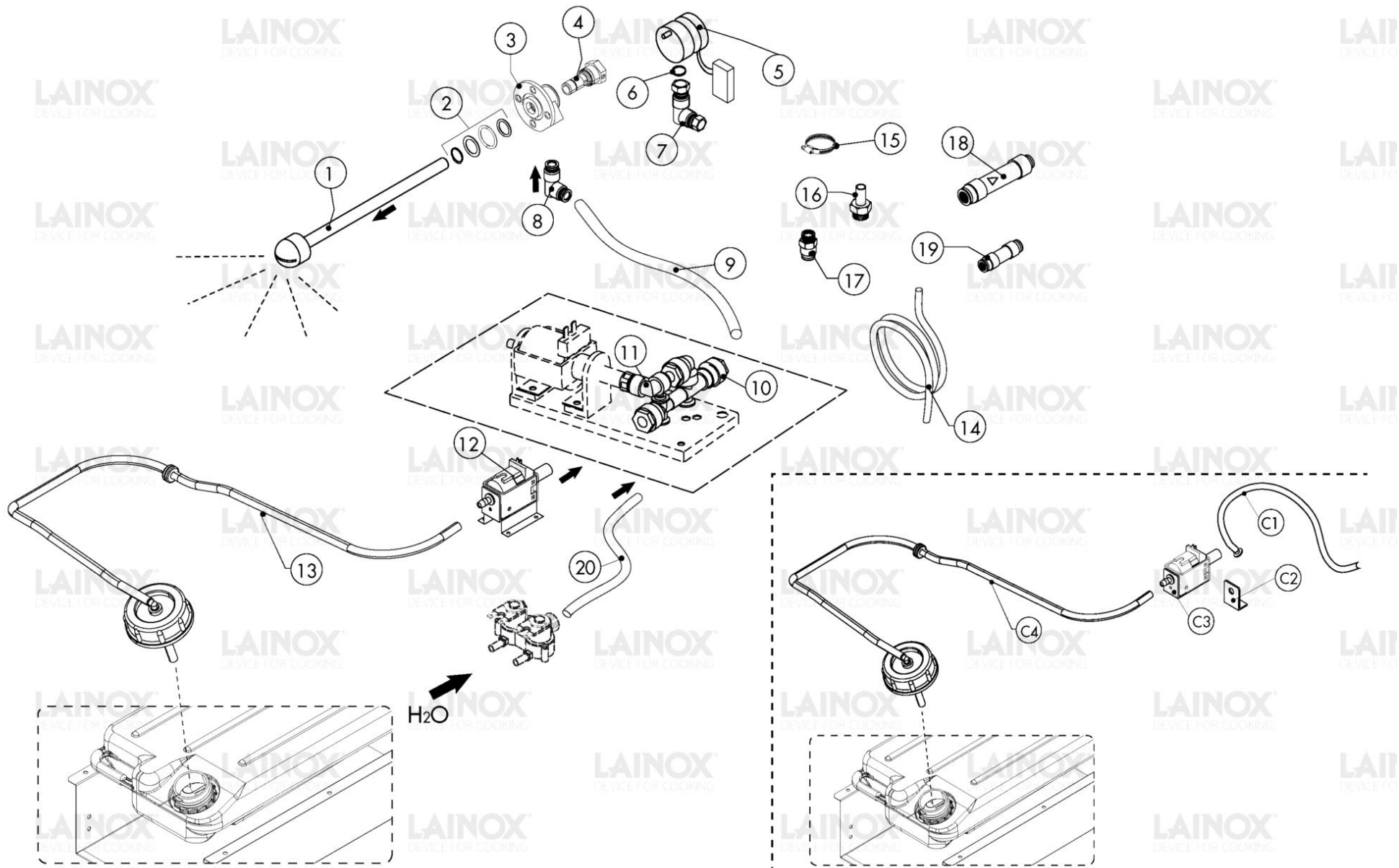
LAINOX
DEVICE FOR COOKING

LAINOX
DEVICE FOR COOKING

Pos.	Код	Предыдущий код	Описание	Примечания	From:	To:
00P1	LAR14203660D		EXTERIOR DOOR [C] LEO LB/LV_201	HALOGEN		18.10.2019
00P2	LAR71202210		GLASS PLATE [C]			
00P3	LAR17406230		GLASS BLOCK [C]		13.08.2018	
00P3	LAR58001780		CATCH [C] DOOR GLASS			10.08.2018
00P4	LA61620132	LAR61620132	SPRING [C] PRONG HOOK			
00P5	LA11420660	LAR11420660	FLANGE [C]			
00P6	LA11423460	LAR11423460	PROTECTION [C] DOOR GLASS K E T 2011			
00P7	LA58001760	LAR58001760	HINGE [C]			
00P8	LA58001770	LAR58001770	PIN [C] GLASS HINGE SR2000			
00P9	LA61600031	LAR61600031	GASKET [C] D. 3,2			
0P10	LAR70050180		SPACER [C] GLASS PLATE 15X8			
0P11	LA69010440	LAR69010440	LOCK [C] 6303 2011			
0P12	LAR69010630		COVERING [C] GROUP 6303 CLOSING			
0P13	LAR69180220		DOOR CONTAINER [C] N/S071-101 2014			
0P14	LA69180011		WATER DRAIN [C] CONTAINER			
0P15	LA11401440		LAMP COVER [C]			18.10.2019
0P15	LA65270590		LED LAMP L=130MM 12V DC [C]	REPLACE P15-P16-P17-P18-P19-P20	21.10.2019	
0P16	LA11401450		FLANGE [C] BULB GLASS			18.10.2019
0P16	LA65270590		LED LAMP L=130MM 12V DC [C]	REPLACE P15-P16-P17-P18-P19-P20	21.10.2019	
0P17	LA65270590		LED LAMP L=130MM 12V DC [C]	REPLACE P15-P16-P17-P18-P19-P20	21.10.2019	
0P17	LA71500150		GLASS PLATE [C]			18.10.2019
0P18	LA65270590		LED LAMP L=130MM 12V DC [C]	REPLACE P15-P16-P17-P18-P19-P20	21.10.2019	
0P18	LA70044200		GASKET [C] BULB GLASS P2000			18.10.2019
0P19	LA65270450		LAMP HOLDER [C]			18.10.2019
0P19	LA65270590		LED LAMP L=130MM 12V DC [C]	REPLACE P15-P16-P17-P18-P19-P20	21.10.2019	
0P20	LA65270020		BULB [C] 12V 20W G4			18.10.2019
0P20	LA65270590		LED LAMP L=130MM 12V DC [C]	REPLACE P15-P16-P17-P18-P19-P20	21.10.2019	
0P21	LA66110310		DOOR LIGHTS CABLE SET [C] M-V/061			18.10.2019
0P21	LA66115800		CABLAGGIO LUCI PORTA M-V/061 .		21.10.2019	
0P22	LA70048002	LAR70048000	GASKET [C] DOOR T07 2016			
0P23	LAR14171660		PORTA COMPLETA LEO LB/LV_071 PORTA COMPLETA LEO LB/LV_071	HALOGEN		18.10.2019
0P24	LAR65260752		LIGHT CONTACT [C] SR.2014 - FLOOR OVEN			



Pos.	Код	Предыдущий код	Описание	Примечания	From:	To:
0002	LA65302481		MAIN BOARD [C] NABOO			
0003	LA65302702		DISPLAY BOARD [C] NA7 + VERTICAL FRAME LEO			
0004	LA65302520	LAR65302520	EXPANSION BOAD [C] BOILER NABOO			
0005	LA65302500	LAR65302500	ENCODER [C]			
0005	LAR65303220		ENCODER+CAVO+MANOPOLA LEO T			
0006	LA65321330	LAR65321330	CAP [C] N/S 2014			
0007	LA65321102	LAR65321100	CORE PROBE [C] 4 POINTS 6 PLUG			
0008	LA65321360	LAR65321360	F-CONNECTOR [C] FOR CORE PROBE L. 1000			
0009	LA65330060	LAR65330060	LOUDSPEAKER [C]			
0010	LA86020400		CORE TEMPERATURE PROBE BOX [C]			
0012	LA69030250	LAR69030250	KNOB [C] ENCODER D. 60			
0012	LA69030480		KNOB [] ENCODER D.60			
0013	LA65321310	LAR65321310	CAP [C] USB SOCKET			
0014	LA65301740	LAR65301740	CONNECTING CABLE [C]			
0015	LA65301750	LAR65301750	CONNECTING CABLE [C]			
0016	LA65302600	LAR65302600	CONNECTING CABLE [C] BOARD/USB OUTLET L. 850			
0017	LAR80100101		PROFILO GUARNIZIONE NERO 2CRISTALLI 5M			



Pos.	Код	Предыдущий код	Описание	Примечания	From:	To:
0001	LAR58007420		WASHING HEAD [C]			
0002	LAR70045120		GASKET [W] MOB WASHING			
0003	LAR58007020		FLANGE [C] MOB WASHING			
0004	LAR58007000		ROTATING PIN [C] MOB WASHING			
0005	LA65090260	LAR65090260	GEARMOTOR [C]			
0006	LA70010080	LAR70010080	GASKET [C]			
0007	LA62090633	LAR62090633	CURVED CONNECTOR [C] 10/10			
0008	LA62090663	LAR62090663	CONNECTOR [C] 10X1/4			
0009	LA80150000		LIGHT BLUE POLYETHYL PIPE D. 10X7MM			
0010	LA62090888	LAR62090888	MANIFOLD [C]			
0011	LA62090498	LAR62090498	INTERMEDIATE CURVED CONNECTOR [C] D. 8			
0012	LAR65110600		PUMP [C] WITH OSCILLATING PISTON			
0013	LA14171801		KIT DETERGENT WASHING PIPE [C] N/S071			
0014	LA80150040	LAR70070080	RUBBER PIPE [C] FOOD D. INNER 13 D. EXTERIOR 23			
0015	LA61630121	LAR61630121	SPRING BAND [C] D. 13,7MM			
0016	LA62090518	LAR62090518	CONNECTOR [C] END SIDE PIPE 10X1/4			
0017	LAR62090508		STRAIGHT CONNECTOR [C] END SIDE PIPE 10X1/4			
0018	LA65110690	LAR65110690	CONNECTOR [C]			
0019	LA62090878	LAR62090878	INTERMEDIATE STRAIGHT CONNECTOR [C] D. 8			
0020	LA80120060	LAR80120060	TRANSPARENT SILICONE PIPE [C] SR60/TR 7/12			
00C1	LA11429630	LAR11429630	PIPE [C] SCALANT INLET BOILER CAL-OUT			
00C2	LA65110630	LAR65110630	SUPPORT [C] PUMP			
00C3	LAR65110620		PUMP [C] 230V 50HZ			
00C4	LA14171811		PIPE [C] DECALCIFER TANK N/S071			