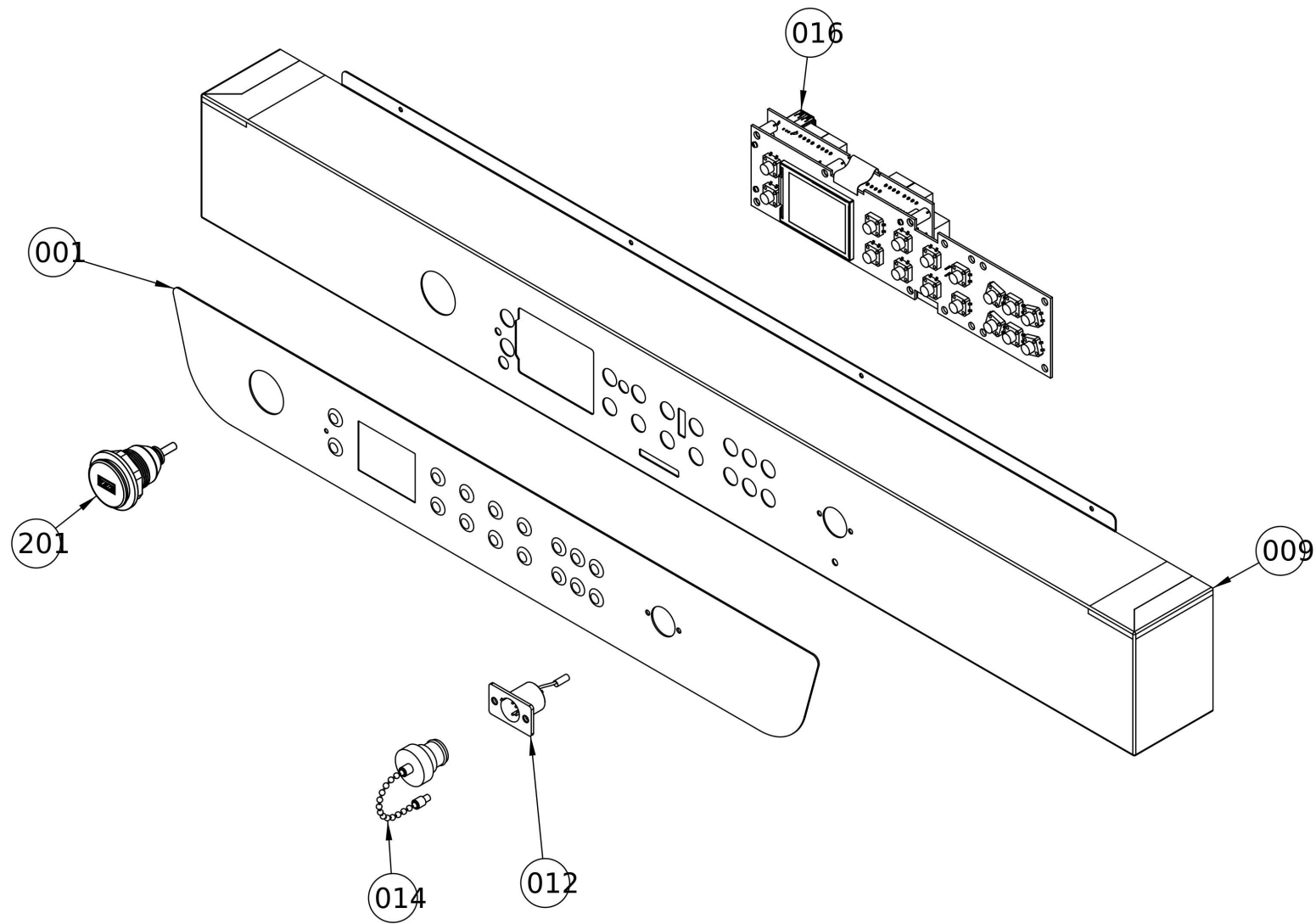


Oven body

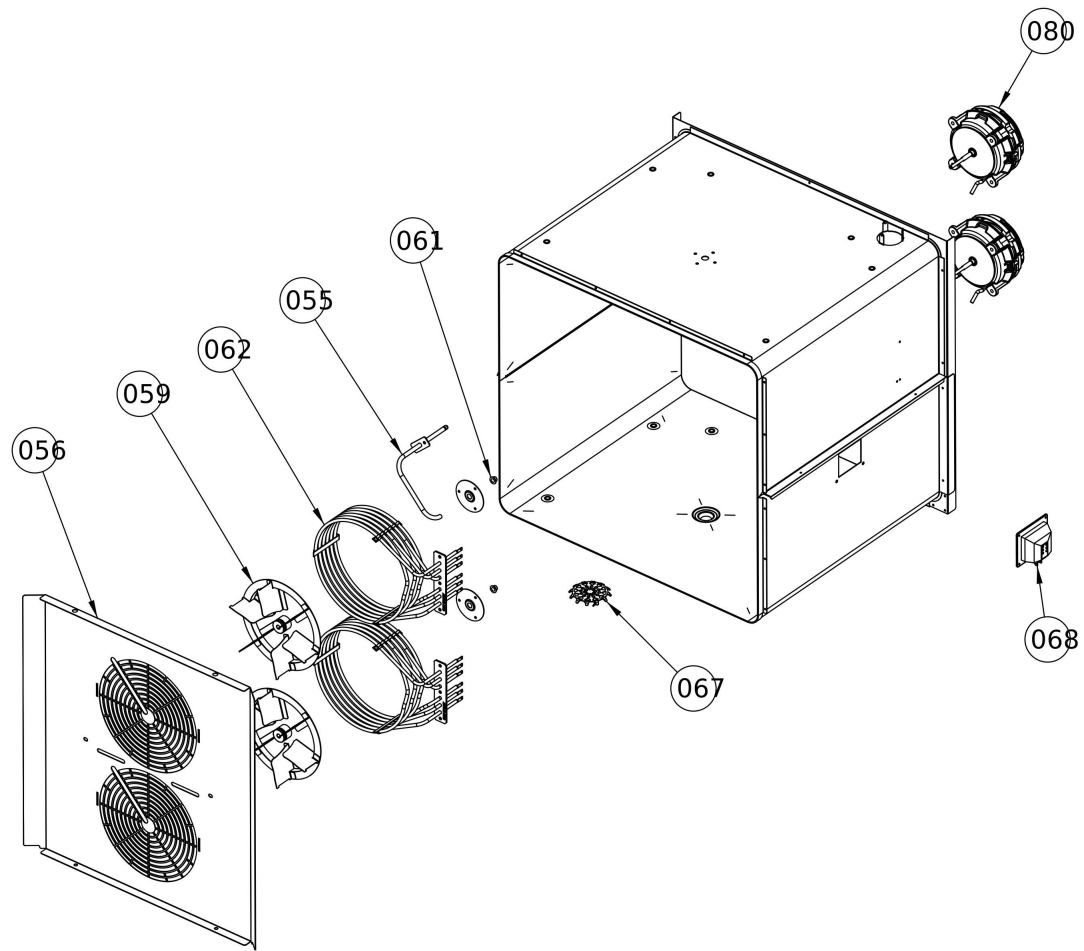
#	Code	Description	Specification	UM	Qty
046	10VAS025	DROPS COLLECTORS TRAY		pz	1
065	040GUA00014	OVEN GASKET		pz	1
069	60NASAI001	HANDLE STUD L70MM		pz	1
070	60PERAI003	HANDLE PIVOT RCB-RCG		pz	1
078	020PUL0002	MICRO SWITCH		pz	1
083	020TER0007	SAFETY THERMAL SWITCH		pz	1
091	50PIEAI002	OVEN FEET H50		pz	4
098	020MOR0001	TERMINAL BLOCK BRIDGE		pz	1
107	020ELE0002	TWO-WAY SOLENOID VALVE REDUCER BROWN		pz	1
107	020ELE0003	THREE-WAY SOLENOID VALVE REDUCER BROWN		pz	1
115	10FIA00146	CP06-CP07 BACK		pz	1
119	85CER00008	BOTTOM HINGE		pz	1
120	10PIAA20NAA010	DOOR SPACER RING		pz	1
162	85CER00008	BOTTOM HINGE		pz	1
418	40DIS00013	DOOR MICROSWITCH PLASTIC PLATE		pz	1
419	40CER00001	TOP HINGE		pz	1
420	40CER00002	TOP HINGE COVER		pz	1
465	40RAC00034	PIPE HOSE 8-8		pz	1
466	40FSC00010	STEEL SPRING TIE DIA 15		pz	2
467	30TBG00003	HT PIPE 8X15 BLACK		pz	1
470	20VNT00001	CROSS-FLOW FAN TG6 180		pz	1

Oven body



Dashboard label

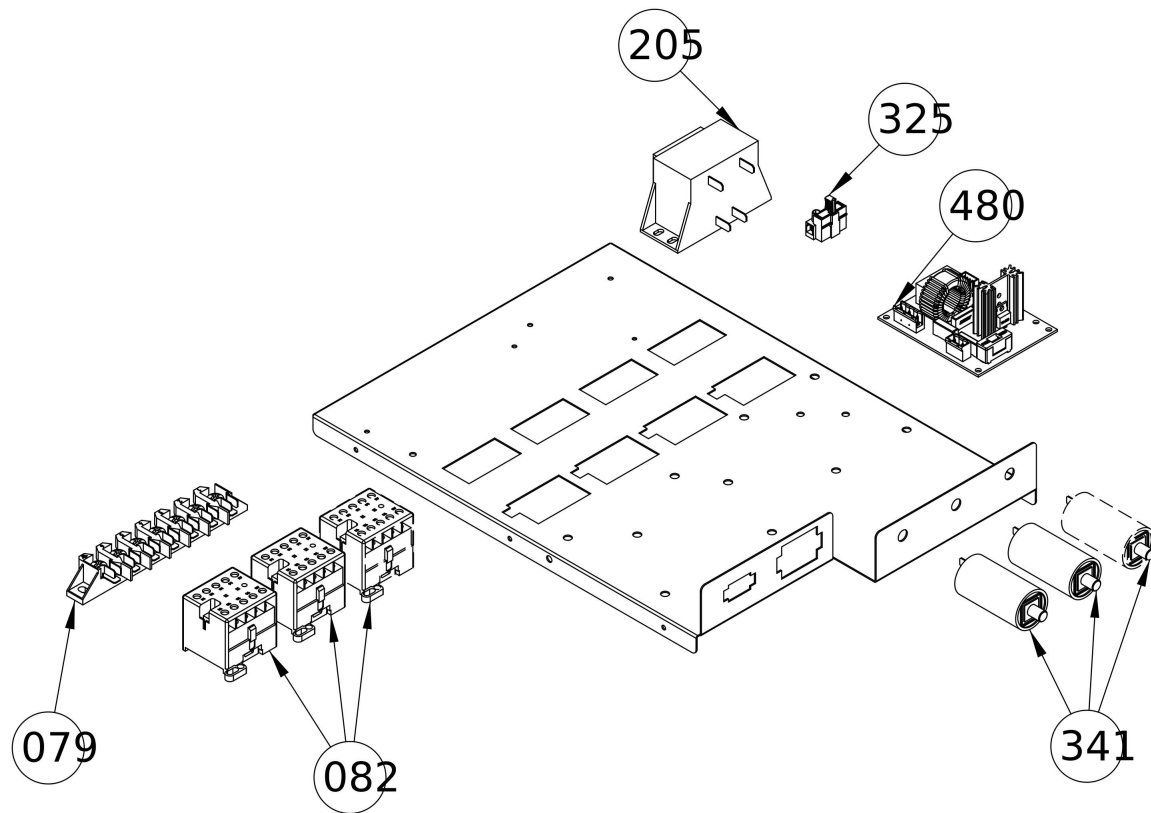
#	Code	Description	Specification	UM	Qty
1	***	LED LIGHT BAR		pz	1
9	85CRU00304	CAMPIELLO DG WELDED DASHBOARD		pz	1
12	020CNT0001	PANEL PLUG SOCKET 6 POLES FLANGED		pz	1
14	040TAP00012	TAP+CHAIN FOR PLUG SOCKET		pz	1
16	20SCH00072	DIGITAL BOARD DISPLAY 2.4"		pz	1
201	020CNT0020	USB PLUG COMPLETE		pz	1



Cooking chamber

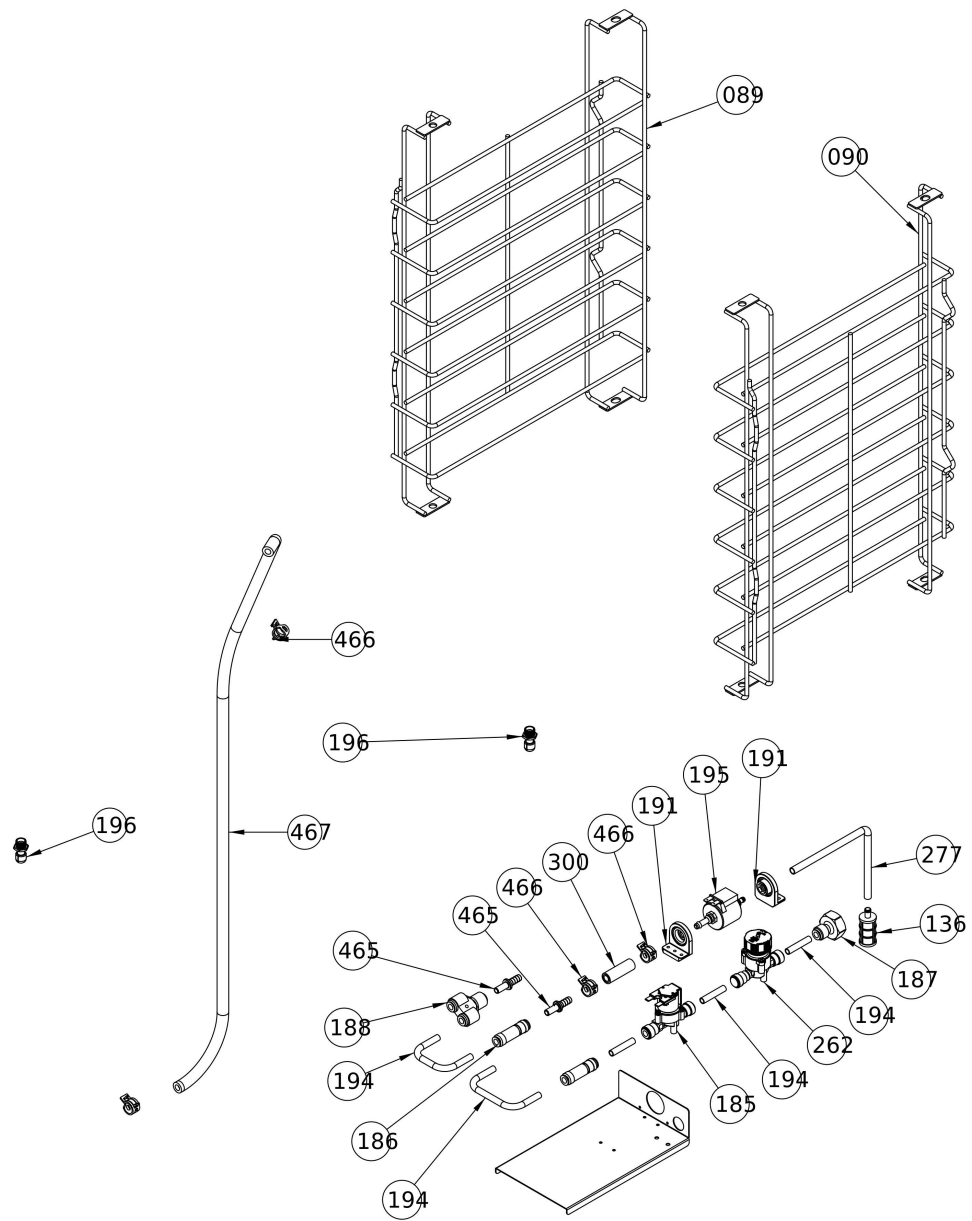
#	Code	Description	Specification	UM	Qty
055	85TBA00017	HUMIDIFICATION PIPE		pz	1
056	10DEF00118	CP06-CP07 AIR DEFLECTOR		pz	1
059	60VENAI013	FAN 200X61 AIRTEK 2.0		pz	2
061	040BOC00006	CRANKSHAFT BUSH		pz	2
062	20RES00041	HEATER 5KW 230V 6 COILS		pz	2
067	10PIA00339	WATER DRAIN COVER		pz	1
068	020LAM0004	HALOGEN LAMP HOLDER		pz	1
080	85MOT00003	MOTOR 2 DIR. 230V 1N 50/60HZ 130W M8 ST		pz	2

Cooking chamber



Electrical box

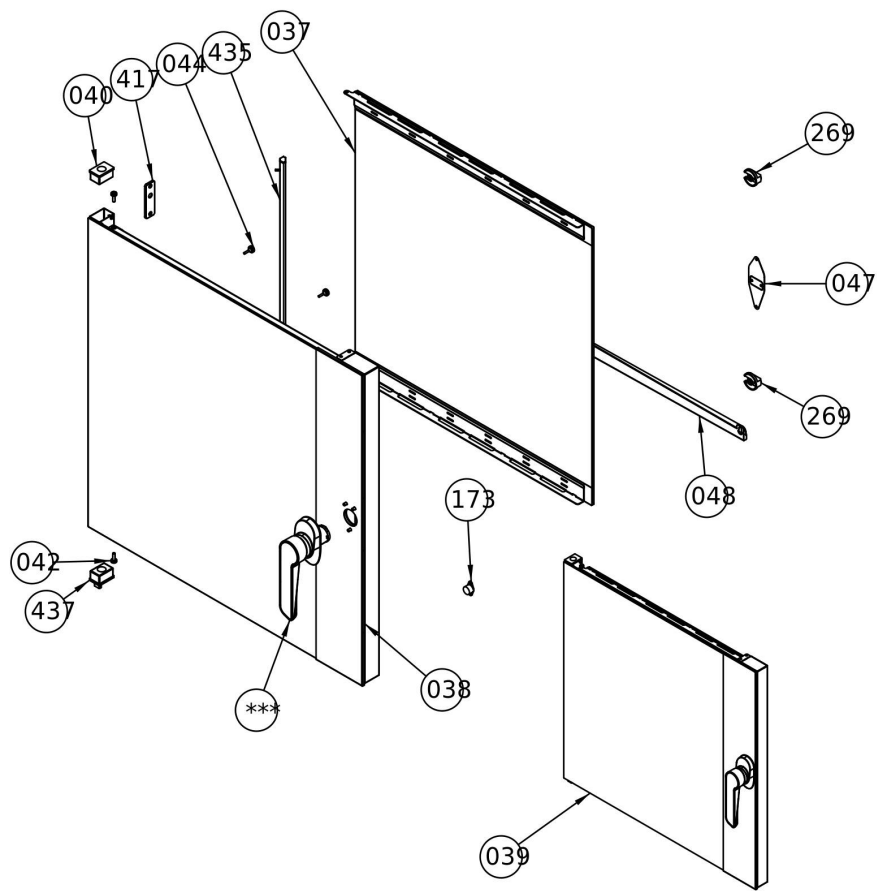
#	Code	Description	Specification	UM	Qty
016	20SCH00076	PHASE CUT RSFAN700		pz	1
079	020MOR0002	TERMINAL BLOCK 7(X3) POLES 40A		pz	1
082	020TEL0004	BRAKER		pz	2
205	020TRS0001	TRANSFORMER		pz	1
325	20PUL00012	FUSE RACK		pz	1
341	020CND00001	CAPACITOR 6,3 ?F		pz	2
455	020MOR0008	TERMINAL BLOCK 10 POLES FASTON		pz	1



Internal accessories

#	Code	Description	Specification	UM	Qty
089	***	LED LIGHT BAR		pz	1
090	***	LED LIGHT BAR		pz	1
136	40FIL00004	DETERGENT FILTER		pz	1
185	020ELE0004	SELF CLEAN SOLENOID VALVE		pz	1
186	040RAC00005	CHECK VALVE IN/OUT JG 8MM 5/16SCV		pz	2
187	040RAC00006	JG8-3/4G JOINT		pz	1
188	040RAC00003	Y JOINT 5/16		pz	1
191	50PAR00020	DETERGENT PUMP SILENT BLOCK		pz	2
194	30TUBP80007	PLASTIC PIPE 8X6		cm	3
195	20PMP00006	DETERGENT PUMP		pz	1
196	61UGE00002	WASHING ROTOR TR02Y02-441/330		pz	1
262	040FIL002	WATER FILTER		pz	1
277	30TUBPVC003	PLASTIC WATER PIPE PVC 6X9		cm	2
300	30TBG00004	HT DETERGENTE PIPE 8X15 BLUE		pz	1
465	40RAC00034	PIPE HOSE 8-8		pz	2
466	40FSC00010	STEEL SPRING TIE DIA 15		pz	2
467	30TBG00003	HT PIPE 8X15 BLACK		pz	1

Internal accessories



Door

#	Code	Description	Specification	UM	Qty
***	***	LED LIGHT BAR		pz	1
037	***	LED LIGHT BAR		pz	1
038	***	LED LIGHT BAR		pz	1
039	***	LED LIGHT BAR		pz	1
040	040TAP00001	BLACK CAP		pz	1
042	70VIT029	DOOR ROTATION SCREW		pz	2
044	040TAP00015	RUBBER SPACER FOR INTERNAL GLASS		pz	14
047	10PIAA10SAA012	HANDLE PLATE		pz	1
048	10VAS006	DROPS COLLECTOR TRAY		pz	1
173	60MGNSN002	DOOR SENSOR MAGNET		pz	1
269	040MAN00010	INTERNAL GLASS BLOCKING KNOB		pz	2
417	40DIS00014	MAGNETIC SENSOR PLATE		pz	1
435	***	LED LIGHT BAR		pz	1
437	040TAP00025	BOTTOM DOOR CAP		pz	1