

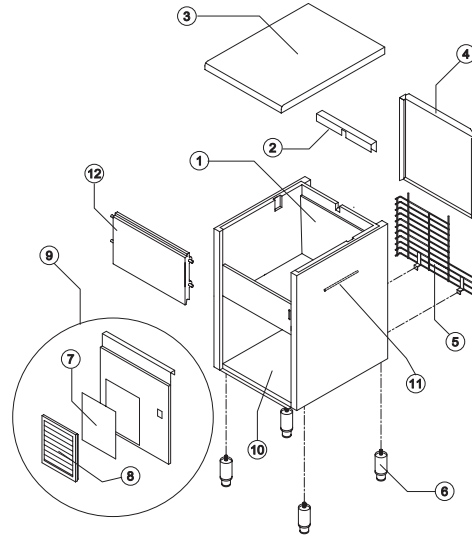


GB 1540

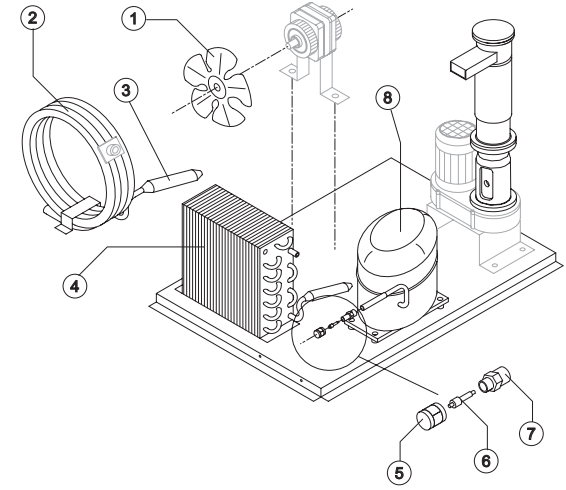
LIST OF THE EXPLODED VIEWS



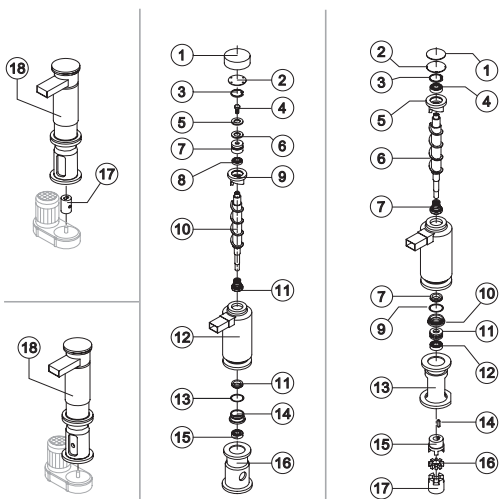
SHELL ASSY



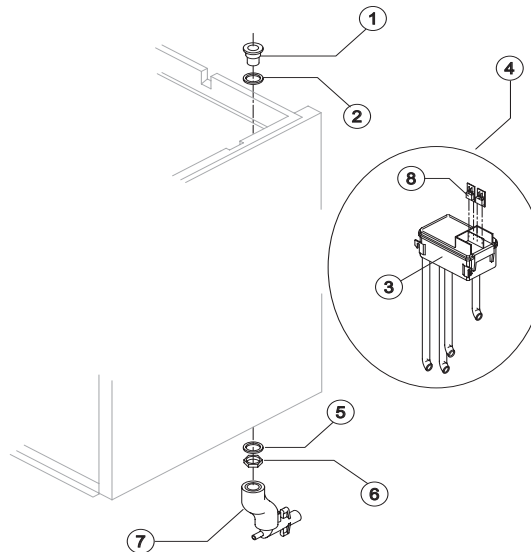
COOLING SYSTEM



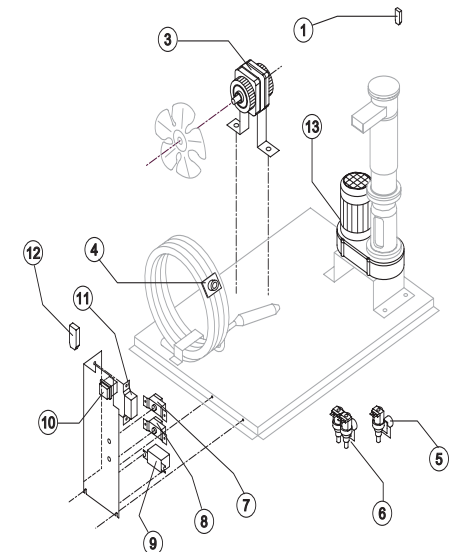
EVAPORATOR



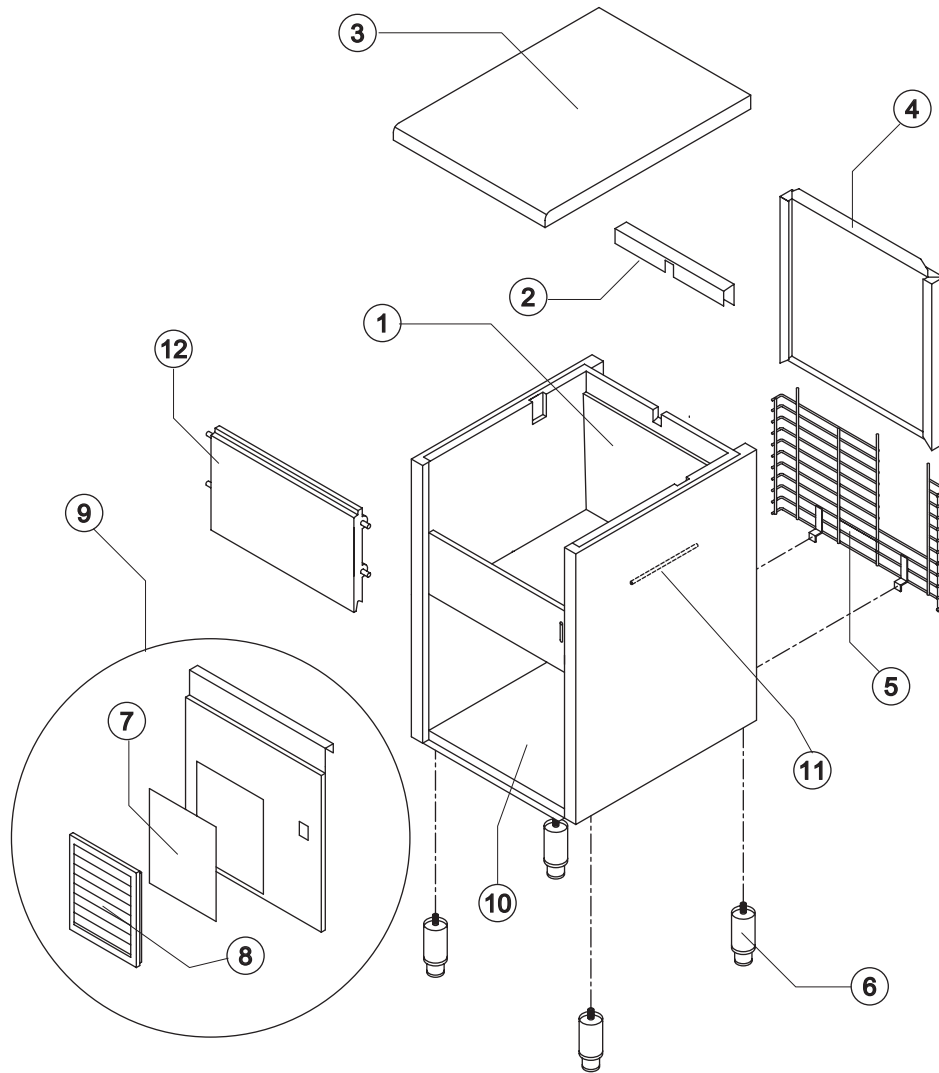
HYDRAULIC CIRCUIT



ELECTRIC PARTS



Rev. 5 - 19/04/2004

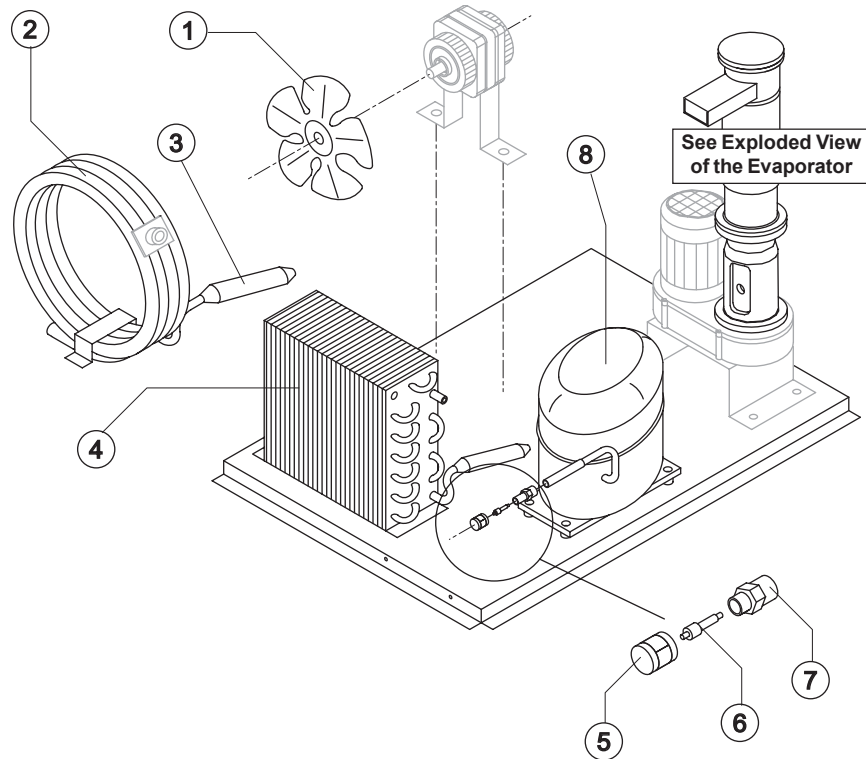


Rev. 5 - 19/04/2004

Ref.	Spare Description	Code
1	Foamed Cabinet Assy	See Table
2	Cover for Ice Exit Passage	22592
3	Top Assembly	C22690
4	Back Panel Assembly	C22226
5	Rear Grid	D12020
6	Stainless Steel Foot Adjustable	Current Version
6	ABS Foot	Till s/n. 142485
7	Filtering Panel	18106
8	Frame with Grid & Filter	C10205
9	Front Grid Panel	C22509
10	Base Plate	Current Version
10	Base Plate	Till s/n.142485
11	Bulbe Thermostat Tube	20522
12	Door Assy	C10275

Ref. 1 - Foamed Cabinet Assy

Condensation	Code
Ari	C11097A
Water	C11097W



Common Parts

Ref.	Spare Description	Code
3	Molecular Drier	14009
5	Vacuum-Charge Valve Plug	14006
6	Vacuum-Charge Valve Body	14005
7	Vacuum-Charge Valve Device	14007
8	Compressor	See Table

Parts for Air-Cooled Version Only

Ref.	Spare Description	Code
1	Suction Fan 254/31°	20031
4	Air Condenser	Current Version
4	Air Condenser	Till s/n.74774

Parts for Water-Cooled Version Only

Ref.	Spare Description	Code
1	Suction Fan	10213
2	Water Condenser	14014

Ref. 8 - Compressor

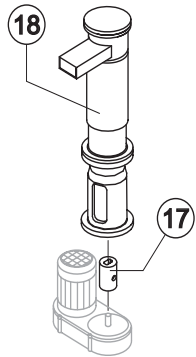
Tension	Code
220/240V 50 Hz	23575
220/230V 60 Hz	23578
110/115V 60 Hz	23579



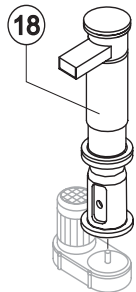
GB 1540

EVAPORATOR

Rev. 5 - 19/04/2004

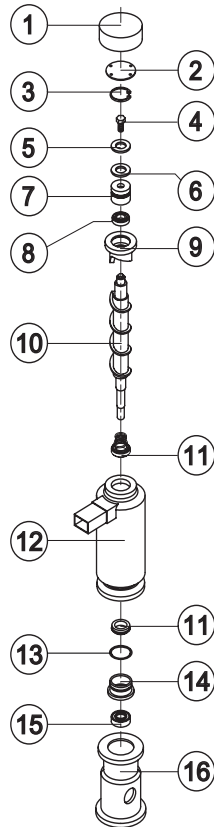


C11140
C11110 Till s/n. 223592



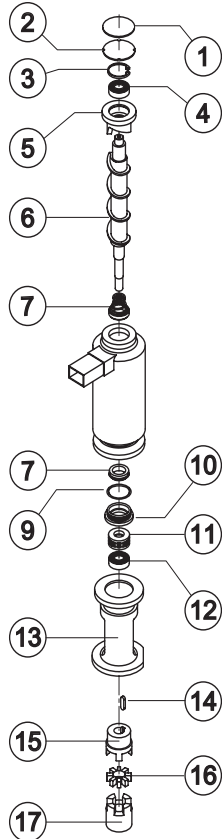
KITGBC11140

Current Version



For Complete Evaporator,
order C11140.
Order C11110 Till s/n.
223592.

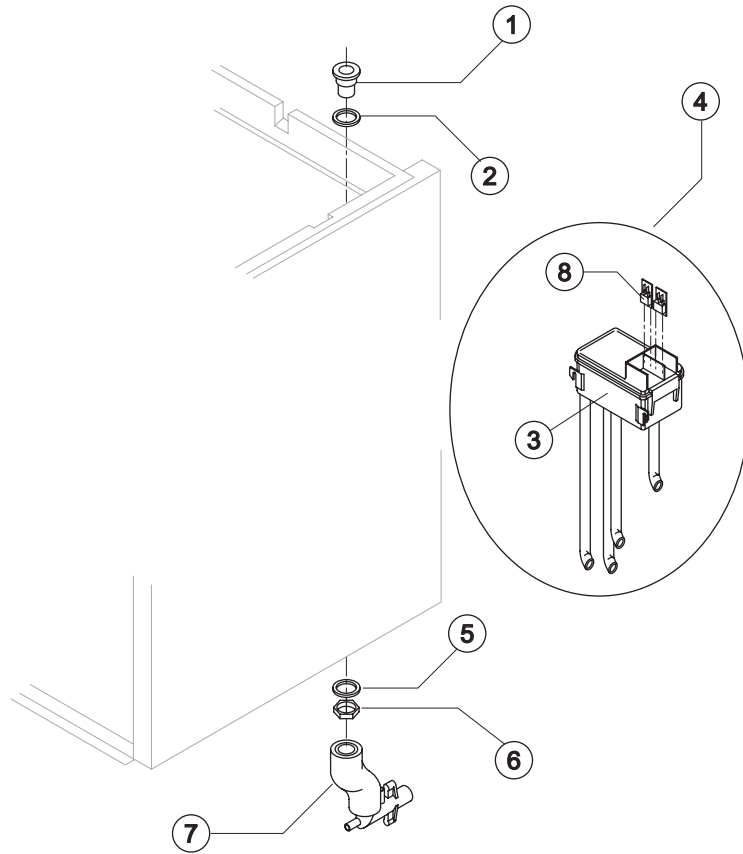
Till s/n.157640



For Complete Evaporator,
order KITGBC11140

Ref.	Spare Description (Current Version)	Code
1	Insulating Top Panel	Current Version 18170
1	Insulating Top Panel	Till s/n. 180719 18164
2	Closing Disk	22825
3	Seeger	20043
4	Inox Screw	Current Version 20663
4	Inox Screw	Till s/n. 161504 15093
5	Shimming Disk	22826
6	Self-Lubricating Disk	20631
7	Stainless Steel Thrust Bearing	Current Version 20686
7	Stainless Steel Thrust Bearing	Till s/n. 211897 20623
8	OR Gasket 3087	Current Version 20688
8	Seal Ring	Till s/n. 211897 20632
9	Ice Breaker	20626
10	Auger	Current Version 20783
10	Auger with Screw	Till s/n. 223592 C20625
11	Ceramic Seal	20633
12	Insulated Evaporator	C11107
13	OR Gasket 3162 NBR70	20429
14	Reduction Ring	Current Version 20785
14	Reduction Ring	Till s/n. 223592 20624
15	Inox Bearing	Current Version 20782
15	Inox Bearing	Till s/n. 223592 20045
16	Flange	20629
17	Joint	Current Version D20784
17	Joint	Till s/n. 223592 D20630
18	Evaporator Assy	Current Version C11140
18	Evaporator Assy	Till s/n. 223592 C11110

Ref.	Spare Description (Till s/n.157640)	Code
1	Insulating Cover	18116
2	Closing Disk	22588
3	Seeger Ring	20434
4	Stainless Steel Upper Bearing	20433
5	Ice Breaker	20440
6	Auger	20439
7	Ceramic Seal	20428
9	OR Gasket 3162 NBR70	20429
10	Reduction Ring	20427
11	Stainless Steel Thrust Bearing	20049
12	Inox Bearing	20045
13	Machined Joint Flange	E20438
14	Key	20431
15	Semi-Joint	D20430
16	Vibration-Damping Elastomer	20455
17	Semi-Joint	D20454
18	Evaporator Assy	ex C11095 KITGBC11140



Common Parts

Ref.	Spare Description	Code
1	Plastic Nipple Water Outlet	10472
2	Silicone Gasket	13006
3	Double Switch Basin	10145
4	Double Switch Basin Assembly	C10165GB
5	Semirigid Polyethylene Gasket	13007
6	Bin Discharge Nut	10096
8	Microswitch	23055

Parts for Air-Cooled Version Only

Ref.	Spare Description	Code
7	Discharges Manifold	C10235

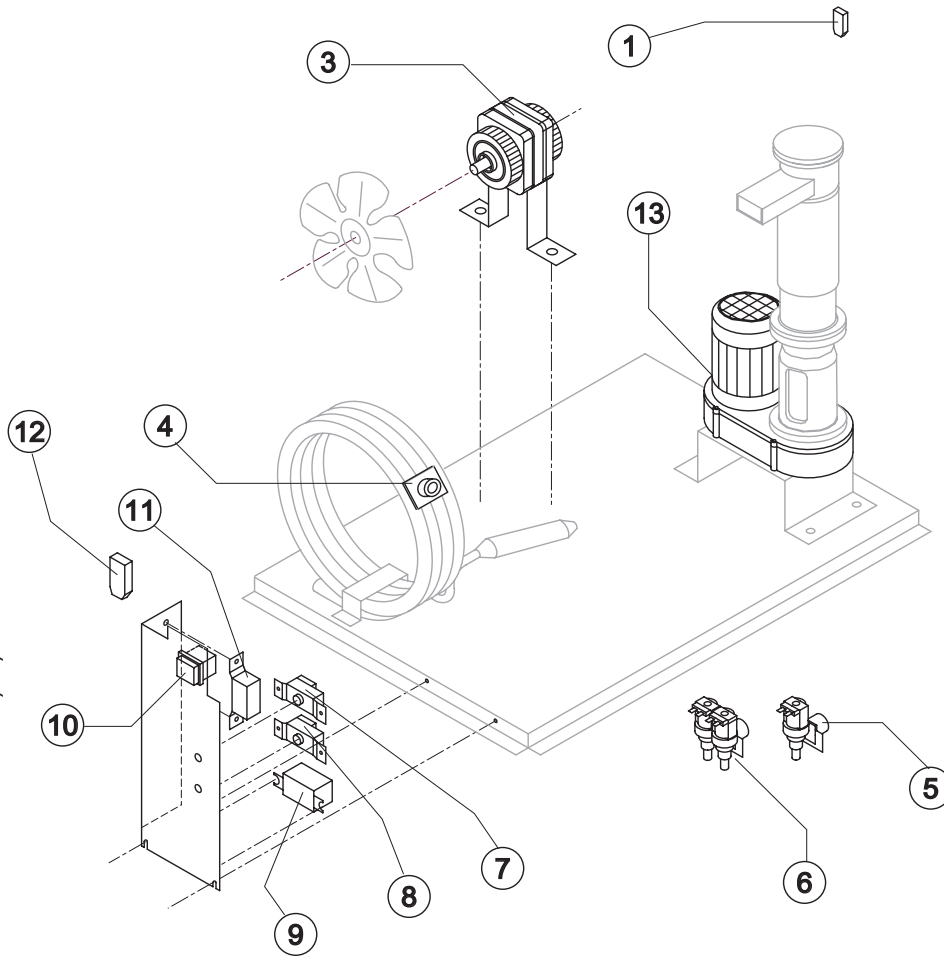
Parts for Water-Cooled Version Only

Ref.	Spare Description	Code
7	Discharges Manifold	C10240



GB 1540

ELECTRIC PARTS



Common Parts

Ref.	Spare Description	Code
1	Anti Radio Interference Filter 220/240V 50 Hz	C23457
3	Fan Motor	See Table
7	Bin Thermostat	R23005
8	Evaporator Thermostat	R23034
9	Relay	See Table
10	Green Light Switch	23327
11	Condenser Pressure Switch	23175
12	Anti Radio Interference Filter 220/240V 50 Hz	C23459
13	Gearmotor	See Table

Parts for Air-Cooled Version Only

Ref.	Spare Description	Code
5	Inlet Watervalue 1 Way	See Table

Parts for Water-Cooled Version Only

Ref.	Spare Description	Code
4	Safety Thermostat	C23114
6	Inlet Watervalue 2 Ways	See Table

Rev. 5 - 19/04/2004

Ref. 3 - Fan Motor

Tension	Air	Water
220/240V 50 Hz	23067	23029
220/230V 60 Hz	23681	23029
110/115V 60 Hz	23621	23683

Ref.5 - Inlet Watervalue 1 Way

Tension	Code
220/240V 50 Hz	23115
220/230V 60 Hz	23115
110/115V 60 Hz	23410

Ref.6 - Inlet Watervalue 2 Ways

Tension	Code
220/240V 50 Hz	23010
220/230V 60 Hz	23010
110/115V 60 Hz	23261

Ref. 9 - Relay

Tension	Code
220/240V 50 Hz	23190
220/230V 60 Hz	23190
110/115V 60 Hz	23557

Ref. 13 - Gearmotor

Tension	Code
220/240V 50 Hz	23532
220/230V 60 Hz	23532
110/115V 60 Hz	23556