

robot a coupe®



R 23 • R 30 • R 45 • R 60

SUMMARY

■ WARRANTY

■ IMPORTANT WARNING

■ INTRODUCING THE NEW VERTICAL CUTTER-MIXER R 23/R 30/R 45/R 60

■ SWITCHING ON THE MACHINE

- Advice on electrical connections
- Control panel
- Safety indicator lights

■ ASSEMBLY

■ PRECAUTIONS FOR USE

- Emptying the bowl
- Blade assembly

■ MAXIMUM PROCESSING CAPACITIES

■ FITTING AND USING THE BLADE ASSEMBLY

- Fitting the 2-blade assembly
- fitting the 3-blade assembly

■ OPERATING INSTRUCTIONS FOR THE VACUUM KIT R-VAC®

■ ACCESSORY

- Lid wiper

■ OPTIONS

- Coarse serrated blades
- Fine serrated blades
- Wheels

■ EXAMPLES OF USE

■ BLIXER FUNCTION

- Maximum processing capacities
- Examples of use
- Fitting and using the blade assembly
- Assembling the Blixer scraper

■ CLEANING

■ MAINTENANCE

- Blades
- Shaft seals
- Motor shaft seals replacement
- Bowl seal
- Dismantling the blade assembly
- Lid seal

■ TECHNICAL SPECIFICATIONS

- Bowl capacities
- Weight
- Dimensions
- Installation
- Noise level
- Electrical data

■ SAFETY

■ STANDARDS

■ TECHNICAL DATA

- Before Starting
- Exploded views
- Electrical and wiring diagrams

ROBOT-COUCPE S.N.C., LIMITED WARRANTY

Your new ROBOT-COUCPE appliance is warranted to the original buyer for a period of one year from the date of sale if you bought it from ROBOT-COUCPE S.N.C.

If you bought your ROBOT-COUCPE product from a distributor your product is covered by your distributor's warranty (Please check with your distributor terms and conditions of the warranty).

The ROBOT-COUCPE S.N.C. limited warranty is against defects in material and/or workmanship.

THE FOLLOWING ARE NOT COVERED BY THE ROBOT-COUCPE S.N.C. WARRANTY :

1 - Damage caused by abuse, misuse, dropping, or other similar damage caused by or resulting from failure to follow assembly, operating, cleaning, user maintenance or storage instructions.

2 - Labour to sharpen and/ or replacements for blades which have become blunt, chipped or worn after a normal or excessive period of use.

3 - Materials or labour to replace or repair scratched, stained, chipped, pitted, dented or discoloured surfaces, blades, knives, attachments or accessories.

4 - Any alteration, addition or repair that has not been carried out by the company or an approved service agency.

5 - Transportation of the appliance to or from an approved service agency.

6 - Labour charges to install or test new attachments or accessories (i.e., bowls, discs, blades, attachments) which have been arbitrarily replaced.

7 - The cost of changing direction-of-rotation of three-phase electric motors (Installer is responsible).

8 - SHIPPING DAMAGES. Visible and latent defects are the responsibility of the freight carrier. The consignee must inform the carrier and consignee immediately, or upon discovery in the case of latent defects.

KEEP ALL ORIGINAL CONTAINERS AND PACKING MATERIALS FOR CARRIER INSPECTION.

Neither ROBOT-COUCPE S.N.C. nor its affiliated companies or any of its distributors, directors, agents, employees, or insurers will be liable for indirect damage, losses, or expenses linked to the appliance or the inability to use it.

The ROBOT-COUCPE S.N.C. warranty is given expressly and in lieu of all other warranties, expressed or implied, for merchantability and for fitness toward a particular purpose and constitutes the only warranty made by ROBOT-COUCPE S.N.C. France.

IMPORTANT WARNING



WARNING : In order to limit accidents such as electric shocks or personal injury, and in order to limit material damage due to misuse of the appliance, please read these instructions carefully and follow them strictly. Reading the operating instructions will help you get to know your appliance and enable you to use the equipment correctly. Please read these instructions in their entirety and make sure that anyone else who may use the appliance also reads them beforehand.

UNPACKING

- Carefully remove the equipment from the packaging and take out all the boxes or packets containing attachments or specific items.
- **WARNING** - some of the tools are very sharp e.g. blades, discs... etc.

INSTALLATION

- We recommend you install your machine on a perfectly stable solid base.

CONNECTION

- Always check that your mains supply corresponds to that indicated on the identification plate on the motor unit and that it can withstand the amperage.
- The machine must be earthed.
- With the three-phase version, always check that the blade rotates in an anti-clockwise direction.

HANDLING

- Always take care when handling the blades, as they are extremely sharp.

ASSEMBLY PROCEDURES

- Follow the various assembly procedures carefully (see page 21) and make sure that all the attachments are correctly positioned.

USE

- Never try to override the locking and safety systems.
- Never insert an object into the container where the food is being processed.
- Never push the ingredients down with your hand.
- Do not overload the appliance.
- Never switch the appliance on when it is empty.

CLEANING

- As a precaution, always unplug your appliance before cleaning it.
- Always clean the appliance and its attachments at the end of each cycle.
- Never immerse the motor unit in water.
- For parts made from aluminum, use cleaning fluids intended for aluminum.

- For plastic parts, do not use detergents that are too alkaline (e.g., containing too much caustic soda or ammonia).
- Robot-Coupe can in no way be held responsible for the user's failure to follow the basic rules of cleaning and hygiene.

MAINTENANCE

- Before opening the motor housing, it is absolutely vital to unplug the appliance.
- Check the seals and washers regularly and ensure that the safety devices are in good working order.
- It is particularly important to maintain and check the attachments since certain ingredients contain corrosive agents, e.g. citric acid.
- Never operate the appliance if the power cord or plug has been damaged or if the appliance fails to work properly or has been damaged in any way.
- Do not hesitate to contact your local Maintenance Service if something appears to be wrong.

INTRODUCING THE NEW VERTICAL CUTTER-MIXER R 23/R 30/R 45/R 60

The vertical cutter-mixer is ideally suited to professional needs.

It can be used to perform countless jobs that you will gradually discover as you use it.

The vertical cutter runs at two speeds : **1,500 and 3,000 rpm**. You can use it to prepare meat, vegetables, smooth-textured stuffings and mousses, as well as for grinding, kneading and so on - with a maximum processing time of five minutes for the longest jobs.

Its numerous functions will open the door to a whole new culinary world.

Thanks to your appliance's simple design, all components requiring frequent handling for maintenance or cleaning can be fitted and removed with the greatest of ease.

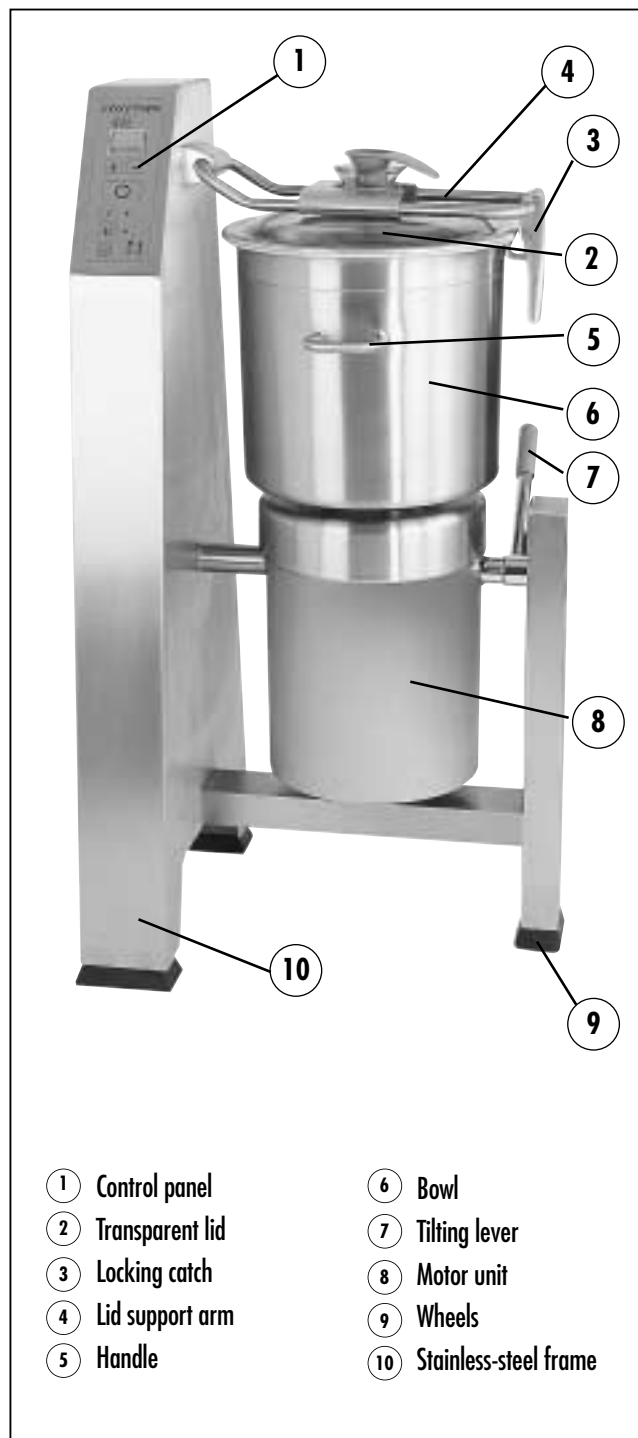
For optimum convenience, this manual describes the various fitting operations on a step-by-step basis.

It places special emphasis on explaining the various actions that cause the motor to stop, as the appliance is equipped with safety devices which prevent access to the cutting assembly until it has come to a complete standstill.

This manual contains important information designed to help you get the most out of your vertical cutter-mixer.

We therefore recommend that you read this carefully before using your appliance.

We have also included examples of a few processing tasks to help you get the feel of your new appliance and appreciate the full range of its many useful features.



- | | |
|-------------------|-------------------------|
| ① Control panel | ⑥ Bowl |
| ② Transparent lid | ⑦ Tilting lever |
| ③ Locking catch | ⑧ Motor unit |
| ④ Lid support arm | ⑨ Wheels |
| ⑤ Handle | ⑩ Stainless-steel frame |

SWITCHING ON THE MACHINE

• ADVICE ON ELECTRICAL CONNECTIONS

The wiring must be installed by a qualified electrician.

Before plugging your appliance in, check that your power supply voltage is the same as that indicated on the motor identification plate.

If your appliance is not connected to the mains via a plug and socket, it must be connected via an insulating selector switch that can be padlocked.

⚠ RISK OF ELECTROCUTION

- The machine must be earthed.
- The appliance is only insulated from the mains supply when it is unplugged.

Switch on your appliance while empty to check that the blade rotates in an anticlockwise direction.

If the blade turns in a clockwise direction, invert the positions of two wires, as follows :

DO NOT DISCONNECT THE GREEN AND YELLOW EARTHING WIRE

Invert the positions of one of the following pairs of wires : either ① and ②

or ② and ③

or ① and ③

ROBOT-COUPE appliances are fitted with the following types of motor :

400 V / 50 Hz / 3

220 V / 60 Hz / 3

• CONTROL PANEL

Timer display screen

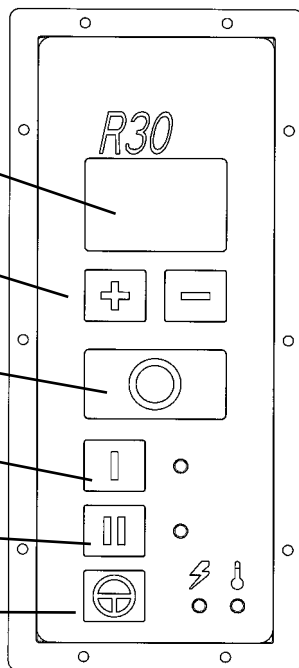
Buttons for setting timer

"Off" button

"On" button
1st speed (1,500 rpm)

"On" button
2nd speed (3,000 rpm)

Pulse control button
(1st speed 1,500 rpm)



• SAFETY INDICATOR LIGHTS

For models R 23 • R 30 • R 45 • R 60 :

- **2 green lights** indicate that the appliance is ready for use.

- **The orange light** comes on when the appliance is **plugged in** but **the safety criteria** have not all been met (incorrectly positioned bowl or lid). If **none** of the lights come on, this either means that the appliance is **not plugged in** properly or else that it is **out of order**.

- **The red light** is a **high-temperature indicator**. When it comes on, it means that the motor has reached a temperature of 120 °C and may shortly cut out to avoid overheating. This allows you to halt your processing task before it does so. It is best to wait until the **red light** has gone out before resuming your task.

The **red and orange** lights will stay on until the motor has cooled down. The machine will not start while the orange light is on.

ASSEMBLY



1) With the appliance facing you, position the bowl directly above the motor shaft. Lower it so that the bowl is centred on its base.

2) Push down on the handles, rotating the bowl firmly in an anti-clockwise direction until it is locked into position. **The handles should now be facing you on either side of the bowl.**



3) Place the blade assembly on top of the motor shaft. Then lower it to the bottom of the bowl by rotating it. Always check that the blade assembly is correctly **positioned at the bottom of the bowl** before placing the ingredients you wish to process in the bowl.

4) Position the lid in the space provided in the lid support arm, then **rotate it 90°** to lock it into position.



5) To close the lid, fit the locking catch over the edge of the bowl and push the handle down. The appliance is now ready for use. The **green lights** should be on.



DANGER : RISK OF INJURY

The blades are extremely sharp.

For this reason, always make sure you have removed the blade assembly before doing any job inside the bowl, such as cleaning or emptying.

If the safety indicator lights do not become green, check all the assembly procedures according to the page 89.

PRECAUTIONS FOR USE

• EMPTYING THE BOWL



1) Open the lid by freeing the locking handle. Release the tilting lever by raising it.

2) Then tilt the bowl to your left, keeping hold of the handle on the right.



3) Empty the bowl once it is in the tilted position. It is advisable to remove the blade assembly before tilting the bowl, especially when processing liquid preparations.

• BLADE ASSEMBLIES

In order to ensure **perfect cutting results**, Robot-Coupe has developed **new, patented blade profiles**, designed to provide an optimum cutting quality.

These blades, which are perfectly balanced in order to avoid any vibration, are supplied with **three different types of edge**.

Standard blade



Smooth edge for emulsions, mousses and finely-chopped meat and vegetables.

Optional blades :



Fine serrated edge for all blending tasks and smooth or fine-textured preparations.



Coarse serrated edge for cake-making (grinding almonds and hazelnuts, making icing sugar), for frozen goods and all hard foodstuffs.



Smooth, “**crescent-shaped**” 3-blade assembly, supplied as a **standard attachment**.

Distinctive feature : the “crescent” blades make it easier to **mix and bind ingredients**.

A 2-blade assembly is used for processing small quantities or liquid preparations. The 3-blade assembly is used for maximum capacities with dry ingredients.

To obtain the best results, it is important to set the right spacing between the blades. Do not exceed maximum processing capacities (see following table).

MAXIMUM PROCESSING CAPACITIES

The subject of **maximum processing capacities** will be discussed a little later. These quantities are given in the table below.

TYPE OF PREPARATION	R23	R30	R45	R60
Coarse chopping	10 kg	12 kg	18 kg	25 kg
Emulsion	11 kg	14 kg	24 kg	30 kg
Kneading (in kg of flour)	7 kg	8 kg	12 kg	18 kg
Grinding	5 kg	6 kg	9 kg	12 kg

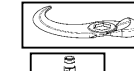
FITTING AND USING THE BLADE ASSEMBLY



Screw nut



Wide spacer



Blade



Locking spacer



Narrow spacer



Blade shaft

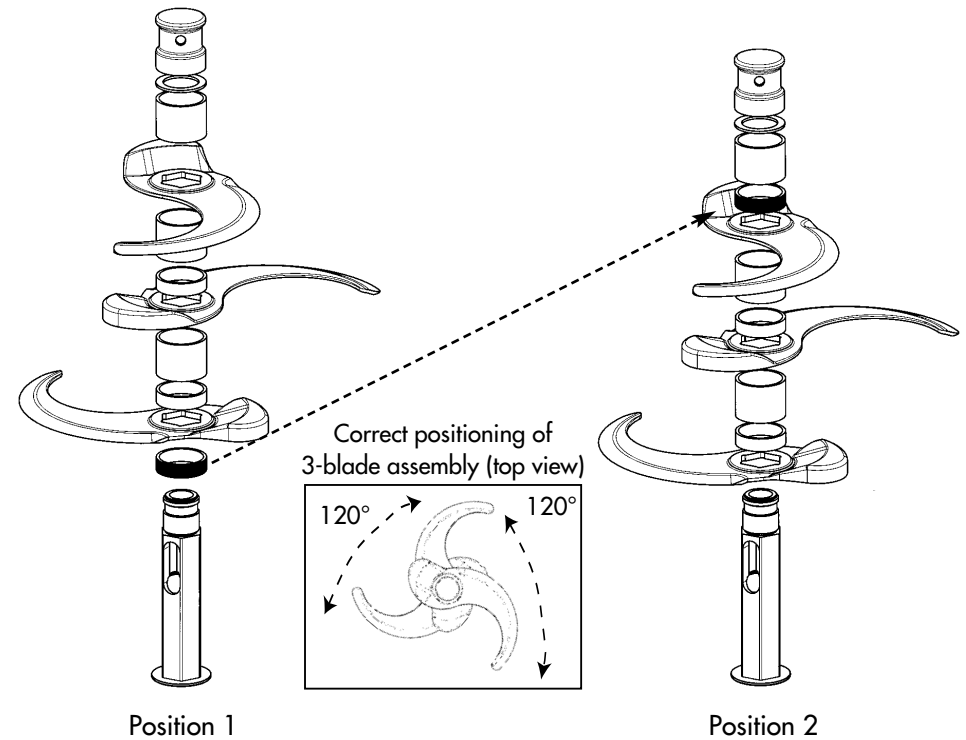
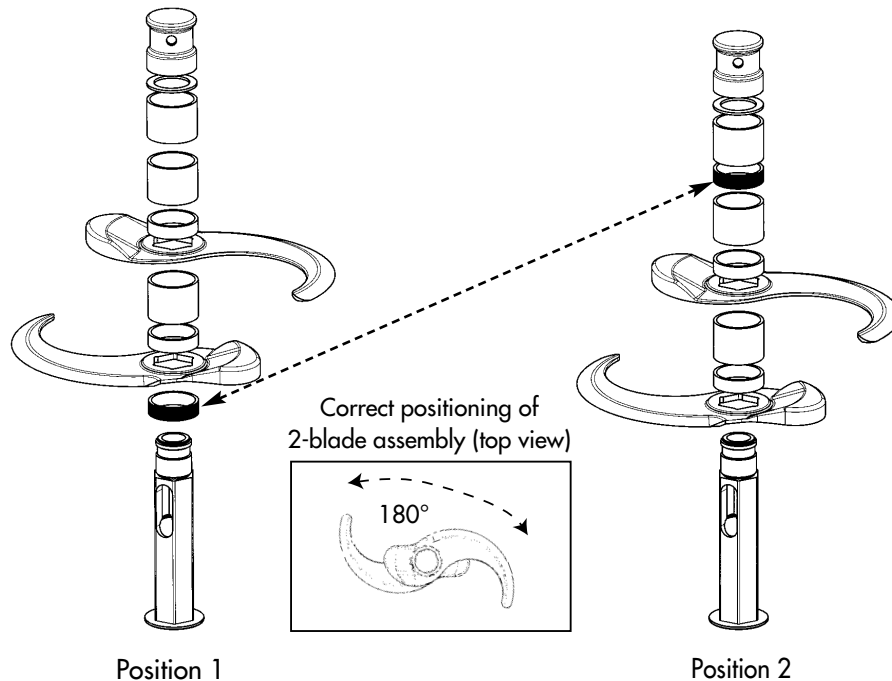
• 2-BLADE ASSEMBLY :

We recommend you use the 2-blade assembly for processing small quantities of up to half the maximum limit indicated (see page 22), with the exception of liquid or blended preparations.

• 3-BLADE ASSEMBLY :

We recommend you use the 3-blade assembly for processing large quantities of more than half the maximum limit indicated, with the exception of liquid or blended preparations for which we strongly recommend you use the 2-blade assembly.

To obtain the best possible results with these types of preparation, we recommend you use the lower speed (1,500 rpm) only.



POSITION 1 : With spacer between lower blade and blade shaft.

- For **coarse chopping**.

FITTING :

- Fit the blades and spacers so that they are the right distance apart, according to the :
 - type
 - weight and
 - volume of the foodstuffs to be processed.

POSITION 2 :

No spacer between lower blade and blade shaft.

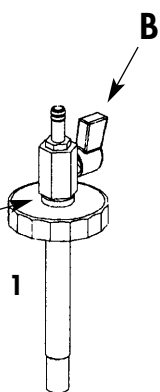
- For **fine chopping and emulsions**.
- For **grinding and kneading**.

DISMANTLING :

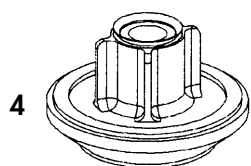
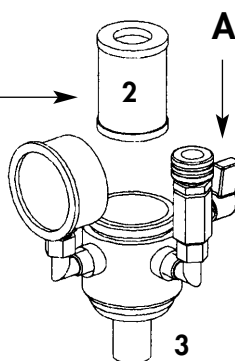
- Unscrew the screw nut
- Remove the spacers.

OPERATING INSTRUCTIONS FOR THE VACUUM KIT R-VAC®

Keep an eye on the position of the O-ring seal when fitting part N° 1



Filter N° 2 can be cleaned.



1° ASSEMBLING THE VACUUM KIT R-VAC®

- Insert filter N° 2 into body N° 3
- Screw part N° 1 onto body N° 3 (the tube is fed through body N° 3).

2° POSITIONNING THE VACUUM KIT R-VAC®

- Insert the plastic part N°4 in the lid N°6.
- Insert the vacuum kit R-VAC® into the plastic part N°4. (Beware of the 2 seals)
- Screw part N°5 onto part N°1.

3° USING THE VACUUM KIT R-VAC®

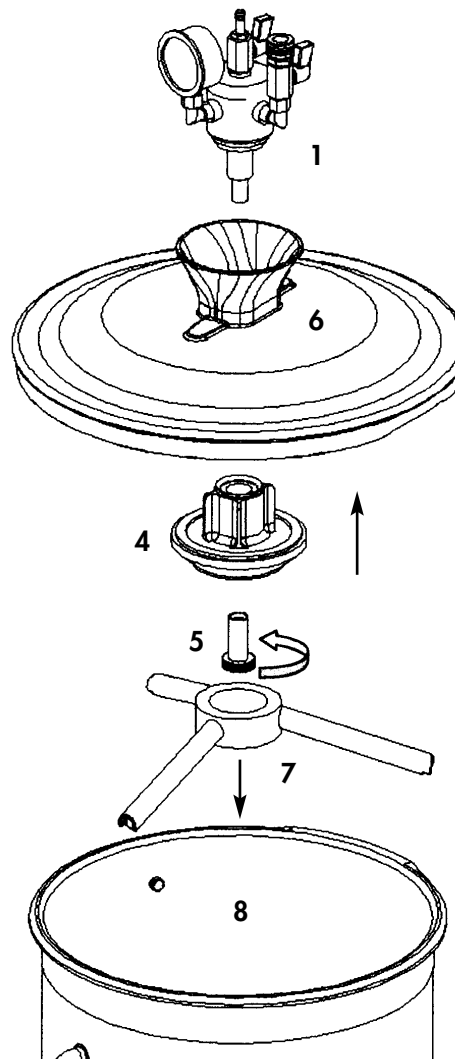
- Connect up the vacuum pump to valve A, check that the latter is open (lever in shaft of connector).
- Shut valve B (perpendicular lever).

4° ASSEMBLING THE KIT INTO THE BOWL

- Insert the star support N°7 into the bowl n°8.
- Insert the vacuum kit R-VAC® into the plastic part N°4.
- Screw part N°5 onto part N°1.

5° ADDING LIQUID TO THE MIXTURE

- Attach a tube to valve B.
- Immerse the other end of this tube in the liquid to be added.
- Open valve B slowly; once the liquid has been added, shut valve B.



If you already have a vacuum packing machine, you can connect the kit to the vacuum pump on this machine.

The R-VAC® kit was specifically designed so that liquids can be added to the mixture during processing, whilst keeping the food under vacuum.

! IMPORTANT

It is important to clean up the filter regularly in order to maintain the original state of the part.

ACCESSORY

• LID WIPER

Your cutter is fitted with a lid wiper to clean the inside surface of the lid during processing, thereby enabling you to **monitor the preparation**.



• WHEELS

Your cutter can be supplied with 3 retractable wheels (exclusive to ROBOT-COUPÉ) which can be lowered or raised simply by lifting each leg. This makes it easy to move the machine around and thereby facilitates the cleaning of the working surfaces.



OPTIONS

• COARSE SERRATED BLADES

The blade shaft can be fitted with serrated blades, which are used mainly for :

- kneading (shortcrust pastry, flan pastry, almond paste, praline, etc.).
- grinding (frozen foods, shellfish, almonds, etc.).



• FINE SERRATED BLADES

The blade shaft can also be fitted with micro-toothed blades, which are used mainly for chopping herbs (e.g. parsley) and blending.



EXAMPLES OF USE

The cutter will enable you to perform all your cutting tasks in minimum time. We recommend therefore, that you keep a close eye on the mixture in order to obtain the desired results.

USES	R23 (kg)	R30 (kg)	R45 (kg)	R60 (kg)
CHOPPING				
• MEAT				
Minced beef	10	12	18	25
Sausage meat / tomate stuffing	10	12	18	25
Terrine / saucisson	12	14	22	30
White pudding / liver mousse*	13	16	24	33
Smooth-textured mixtures (frankfurters)	8	10	14	18
• FISH				
Puréed fish*	13	16	24	33
Fish stuffings*	13	16	24	33
• VEGETABLES				
Garlic / parsely / onion / shallots	half bowl volume			
Soup / vegetable purées*	17	21	32	44

• FRUIT

Compotes / fruit purées	13	16	24	33
-------------------------	----	----	----	----

EMULSIFYING

Mayonnaise / aioli / taramasalata	13	16	24	33
Rémoulade sauce	13	16	24	33
Snail / salmon butter	8	10	16	27

KNEADING

Shortcrust / biscuit pastry	6	8	12	18
Flaky pastry	6	8	12	18
Pizza / bread dough	6	8	12	18
Brioche dough	5	6	9,5	12

GRINDING

Almond paste	6	8	12	17
Praline	11	14	20	28
Seafood / crushed ice	5	6	9	12
Breadcrumbs	6	7	11	15

BLENDING

Liquid preparations*	16	20	30	40
----------------------	----	----	----	----

* In first speed only

The vertical cutter-mixer has numerous other applications. The above quantities are given for guidance only and may vary according to the quality of ingredients or the recipe.

BLIXER FUNCTION

• MAXIMUM PROCESSING CAPACITIES

The **maximum processing capacities** are given in the table below.

Maximum processing capacities	R			
	23	30	45	60
	4 to 15 Kg	4 to 20 Kg	6 to 30 Kg	6 to 45 Kg
Liquid in 1 st speed	16	20	30	40

• EXAMPLES OF USE

The cutter will enable you to perform all your cutting tasks in minimum time. We recommend therefore, that you keep a close eye on the mixture in order to obtain the desired results.

HOSPITAL USES:

SPOON FEEDING

- Minced foods: meat, fish etc.
- Vegetable purees
- Mousses: vegetables, fish etc.
- Compotes of stewed fruit

SEMI-LIQUID FEEDING

This simply entails diluting spoon-feeding preparations:

- Minced meat + gravy
- Puree + liquid (broth, milk, etc.)
- Soups / creamed soups
- Fruit compotes + syrup or water

LIQUID FEEDING (for use via tubes)

- Soups and any preparations that can be liquidized.

DELICATESSEN USES:

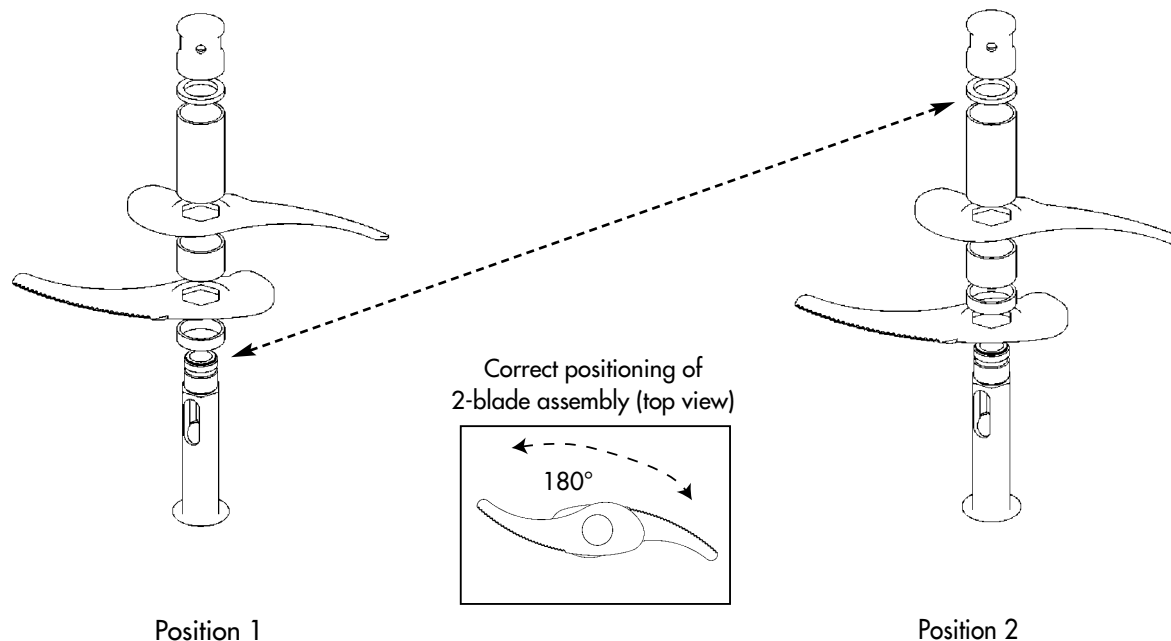
- **Butter mixtures:** snail butter, salmon butter, anchovie butter...
- **Sauces:** green sauce, mayonnaise, remoulade, ailloli, emulsified sauces with tomatoes, cream, parsley...
- **Vegetable mousses.**
- **Grinding:** lobster, scampi, seashells...

PHARMACEUTICAL AND CHEMICAL LABORATORY USES:

- **Grinding:** herbs, seeds, powders, tablets...
- **Mixing:** homogenization of creams, ointments, mixed components, varied ingredients...

• FITTING AND USING THE BLADE ASSEMBLY

2-BLADE ASSEMBLY:



POSITION 1: With spacer between lower blade and blade shaft.

FITTING:

- Fit the blades and spacers so that they are the right distance apart, according to the:
 - type
 - weight and
 - volume of the foodstuffs to be processed.

POSITION 2: No spacer between lower blade and blade shaft.

- For **fine chopping and emulsions.**

DISMANTLING :

- Unscrew the screw nut
- Remove the spacers.



Screw nut



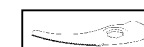
Locking spacer



Wide spacer



Narrow spacer



Blade

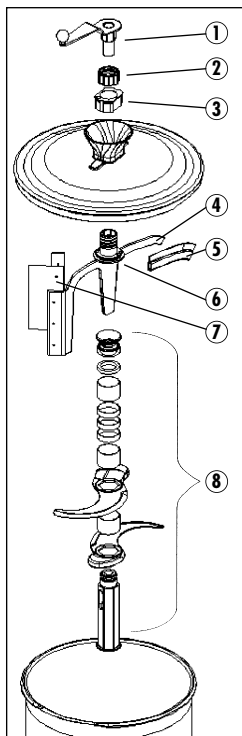


Blade shaft

• ASSEMBLING THE BLIXER SCRAPER

Assembly :

- Insert the blixer guide **3** into the lid:
 - this is easier to do if the lid has been detached beforehand,
 - the guide **3** must be inserted as far as it will go,
- Place the lid on the cutter arm,
- Leaving the lid open, slot the arm **4** through the guide **3**,
- Screw the nut **2** as tight as possible (to match up the two hexagons),
- Introduce the handle **1** to turn the arm.



Blades :

- When processing liquid preparations, you will obtain better results using only 2 blades,
- You can use 3 blades for other types of preparation.

Aftercare :

- The lid scraper **5**, the ring **6** and the flexible wiper **7** must be regularly inspected to check that they are still working properly. If these parts become worn, they should be replaced.

Warning !

The arm will only go halfway round in the direction of the blades before reaching a stop, Never try to force it round any further, Continuous rotation is, however, possible in the other direction, Leave the handle **1 in the arm while using the appliance in order to avoid the nut working loose.**

CLEANING



WARNING

As a precaution, always unplug your appliance before cleaning it (hazard of electrocution) and handle the blades with care (hazard of injury).

Once the bowl has been emptied, put it back to the vertical position, replace the blades, close the lid and switch the appliance on (use high speed), in order to remove any remaining mixture from the blades. To maintain perfect hygiene, the blades assemblies must be taken apart and each individual component carefully cleaned. This operation is essential for ensuring perfect blade hygiene.

If necessary, the bowl can be rinsed by pouring in a few litres of hot water and switching it on for a few minutes at high speed.

Thanks to its water resistant electrical parts, the machine is simple to clean. As a result it can be shower-washed on a daily basis (though not with a high-pressure cleaner).



IMPORTANT

Like the bowl and lid, the blade assembly should also be removed for cleaning after use. Always dry all the metal parts carefully, especially the blades, to avoid oxidization.

All the parts which come into contact with food are easy to remove and clean.

We advise you not to clean the lid in the dishwasher, but to wash it by hand instead, using washing-up liquid.

When you are not using your appliance, keep the lid open and do not leave the bowl in the locked position (this will prevent the seals from becoming worn).



IMPORTANT

Check that your detergent is suitable for cleaning the plastic parts. Certain washing agents are too alkaline (e.g. high levels of caustic soda or ammonia) and totally incompatible with certain types of plastic, causing them to deteriorate rapidly.

MAINTENANCE

• BLADES

After each task, we strongly recommend you sharpen the blades briefly with a sharpening stone, especially after chopping parsley.

Sharpen them thoroughly once a month with the fine-textured sharpening stone supplied with the appliance.

The quality of the cut depends mainly on the sharpness of your blades and their degree of wear. The blades are wearing parts which should be replaced from time to time, in order to ensure constant quality of the finished product.

• SHAFT SEALS

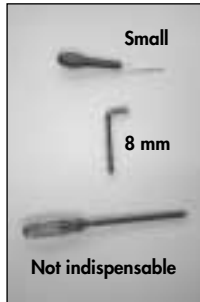
The watertightness is achieved by a sealing socket that holds two shaft seals, a stainless steel deflector with integrated V-ring (upperside) and an O-ring (lowerside).

To ensure that the motor remains totally watertight, it is advisable to regularly check the seals for wear and to replace them, if necessary.

When the seals are worn, liquid may first run into the bearings, then reach the motor. If this happens, the seals, the bearings and even the motor may have to be replaced.

The seals are easy to replace without having to remove the motor, so you are strongly advised to keep an eye on their state of wear.

• MOTOR SHAFT SEALS REPLACEMENT



1) Tools needed



2) Remove the bowl



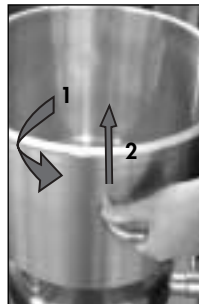
3) Remove the bowl seal



4) Unscrew the 3 bolts



5) Remove bolts and washers



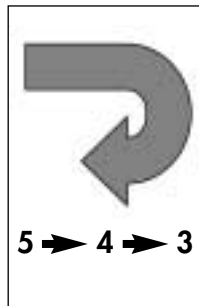
6) Put back the bowl and pull up



7) Socket and top seal are free



8) Replace shaft seals



9) 5 to 3 in inverse order



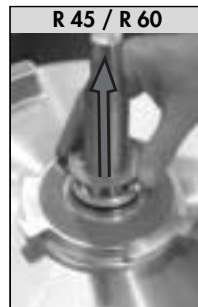
10) Replace shaft top seal, place it on shaft chamfer



11) Place 1 mm thick washer



12) Push down blade assy, stop when hits motor shaft



13) Remove 1 mm thick washer



14) Put back the bowl, pouring lip on left hand side



15) It's done !

• BOWL SEAL

The bowl seal, located between the bowl and the bushing, ensures that the bowl remains watertight. This sealing part must be regularly lubricated with edible oil and be changed. Check it regularly for signs of wear, as the watertightness of the bowl depends on it.

In order to make it easier for you to clean your appliance, the bowl watertightness system is located on the underside of the bowl.

As a result, a small area here may fill up with foodstuff, though it will empty itself when the bowl is released.

• DISMANTLING THE BLADE ASSEMBLY



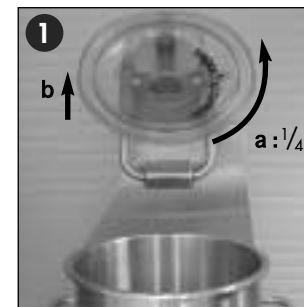
- Lift the blade assembly out of the appliance
- Remove the bowl
- Place the blade remover on the motor shaft.

- Put the blade assembly back in position.
- Loosen the screw using the stem.
- Dismantle the blade assembly by hand.
- To reassemble the blades, follow these instructions in the reverse order.
- **Make sure you tighten the screw properly after reassembling the blades, in order to prevent the latter coming loose.**

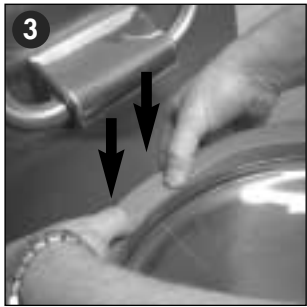
• LID SEAL

The lid is designed to be completely watertight within the limits set out on page 25 (see examples of use). In order to ensure that it remains that way, you may have to change the seal occasionally, depending on how regularly you use your machine. If you do not use your machine regularly, we recommend that you leave the lid open when it is not in use jobs to preserve all these features.

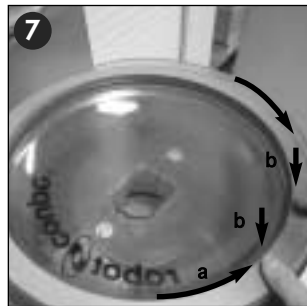
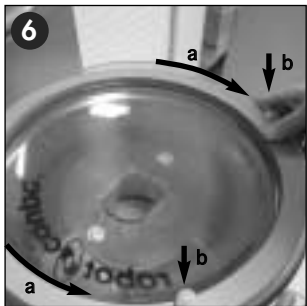
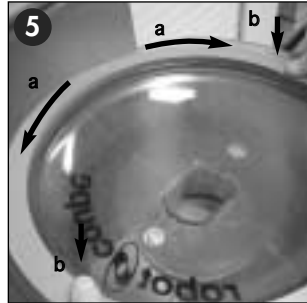
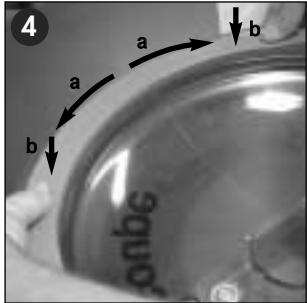
Take out the worn seal from the lid.



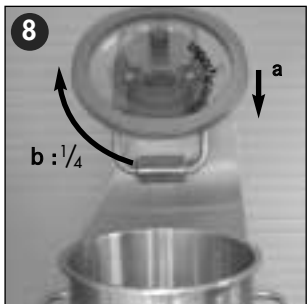
- 1 - Unlock the lid by doing $\frac{1}{4}$ turn on the right.
- 2 - Put the lid the wrong way round on the bowl.



3 - Start to set the seal at the hinge side. Hold firmly the seal with the thumb and the index finger and insert it in the lid groove.



4 to 7 - Keep inserting the seal progressively on both sides in order to join both hands.



8 - Position the lid back by doing 1/4 turn on the left.

TECHNICAL SPECIFICATIONS

In order to obtain good results when mincing meat, grinding and kneading, we recommend you fill the bowl no more than half-full.

• BOWL CAPACITIES

R 23 : 23 litres
 R 30 : 28 litres
 R 45 : 45 litres
 R 60 : 60 litres

• WEIGHT

	Net weight	Gross weight
R 23 / R 30 :	110 kg	131 kg
R 45 :	138 kg	165 kg
R 60 :	150 kg	177 kg

• DIMENSIONS (in mm)

	R23	R30	R45	R60
A	1250	1250	1400	1400
B	320	360	400	450
C	600	600	600	600
D	590	590	640	640
E	1620	1620	1800	1820
F	800	800	870	870
G	700	720	760	810

• WORKING HEIGHT

We recommend that you install your vertical cutter-mixer on a flat, stable surface. There is no recommended working height as this is a floor-standing appliance.

• NOISE LEVEL

The equivalent continuous sound pressure level when running these appliances empty is less than 70 dB (A).

• ELECTRICAL DATA

Three-phase machine.

Model	Motor	Speed (rpm)	Nominal power (watts)	Nominal current (Amp)	Motor switch-on circuit * breaker + recommended differential - (Amp)
R 23 4500 W	400 V/50/3 Hz	1500	3700	8,5	20
		3000	4500	10,5	
	220 V/60/3 Hz	1800	3700	16,0	40
		3600	4500	18,2	
R 30 5000 W	400 V/50/3 Hz	1500	3700	8,8	20
		3000	4500	10,5	
	220 V/60/3 Hz	1800	3700	14,7	40
		3600	4500	18,2	
R 30 5400 W	400 V/50/3 Hz	1500	4400	10,0	20
		3000	5400	11,6	
	220 V/60/3 Hz	1800	4400	18,6	40
		3600	5400	23,1	
R 30 5400 W	380 V/60/3 Hz	1500	4400	10,8	20
		3000	5400	13,4	
	230 V/50/3 Hz	1500	4400	17,4	40
		3000	5400	20,2	

Model	Motor	Speed (rpm)	Nominal power (watts)	Nominal current (Amp)	Motor switch-on circuit * breaker + recommended differential - (Amp)
R 45 6000 W	400 V/50/3 Hz	1500	4500	9,6	20
		3000	6000	12,5	
	220 V/60/3 Hz	1800	4500	17,1	40
	380 V/60/3 Hz	3600	6000	21,9	
R 45 10000 W	400 V/50/3 Hz	1500	4500	9,9	20
		3000	6000	12,7	
	220 V/60/3 Hz	1500	7000	14,7	40
		3000	10000	19,8	
380 V/60/3 Hz	1800	7000	27,0	63	
	3600	10000	35,0		
R 60 10000 W	400 V/50/3 Hz	1500	7000	15,4	40
		3000	10000	20,6	
	230 V/50/3 Hz	1500	7000	24,5	63
		3000	10000	35,0	
R 60 11000 W	400 V/50/3 Hz	1500	7000	15,4	40
		3000	10000	20,6	
	220 V/60/3 Hz	1500	7000	24,5	63
		3000	10000	35,0	
R 60 11000 W	400 V/50/3 Hz	1500	7600	16,1	50
		3000	11000	26,0	
	220 V/60/3 Hz	1800	8400	32,5	63
		3600	12000	45,0	
380 V/60/3 Hz	1500	7600	16,1	50	
	3000	11000	23,8		
230 V/50/3 Hz	1500	7600	27,7	63	
	3000	11000	44,8		

* See note.



* NOTE

When the appliance is switched on, the current is several times greater than the nominal current.

"The switch-on current of appliances must be taken into account when determining the cross-section of the conductors and choosing the systems that protect against excess current, in order to avoid excessive voltage drops during the switch-on period and the untimely triggering of the protective device."

We advise you to use a protective device specific to the switching-on of asynchronous motors. See recommended size in the table above. In every case, you must comply with the legislation currently in force.

SAFETY

These appliances are fitted with an **electromechanical safety device and a motor braking system** (blades halted in under 2 seconds by the electric motor brake).

Moreover, the machine will only start if the bowl is correctly positioned on the motor unit.

However, we recommend that you stop the motor before opening the lid, especially when liquid preparations are involved, in order to avoid splashing (before opening the lid, wait a few seconds).

These models are also fitted with a **thermal protection system**, with automatic reset, which stops the motor if it is left on for too long or overloaded. These models are also fitted with a thermal alarm (the red light comes on) warning the user that the appliance is about to stop.

If this happens, wait until the appliance has cooled down before switching it back on (the orange light will go out and the green lights will come on again).



WARNING

The blades are extremely sharp. Handle with care.



REMEMBER

Never try to override the locking and safety systems.

Never insert an object into the container where the food is being processed.

Never push the ingredients down with your hand. Do not overload the appliance.

Never switch the appliance on when it is empty.

STANDARDS

MACHINES IN COMPLIANCE WITH :

- The following European directives and related national legislation :
 - Modified "machinery" directive 98/37/EEC,
 - "Low voltage" directive 73/23/EEC,
 - "EMC" directive 89/336/EEC,
 - "Materials and parts in food contact" directive 89/109/EEC,
 - "Plastic materials and parts in food contact" directive 90/128/EEC.
- The following European harmonized standards and standards setting out health and safety rules :
 - EN 292 - 1 and - 2,
 - EN 60204 -1 (1992),
 - For food processors and blenders : EN 12852.

AVANT DE DÉMARRER • BEFORE STARTING



0 →



1 →



2 →



3 →



4 →



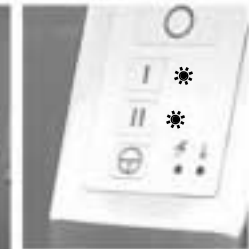
5 →

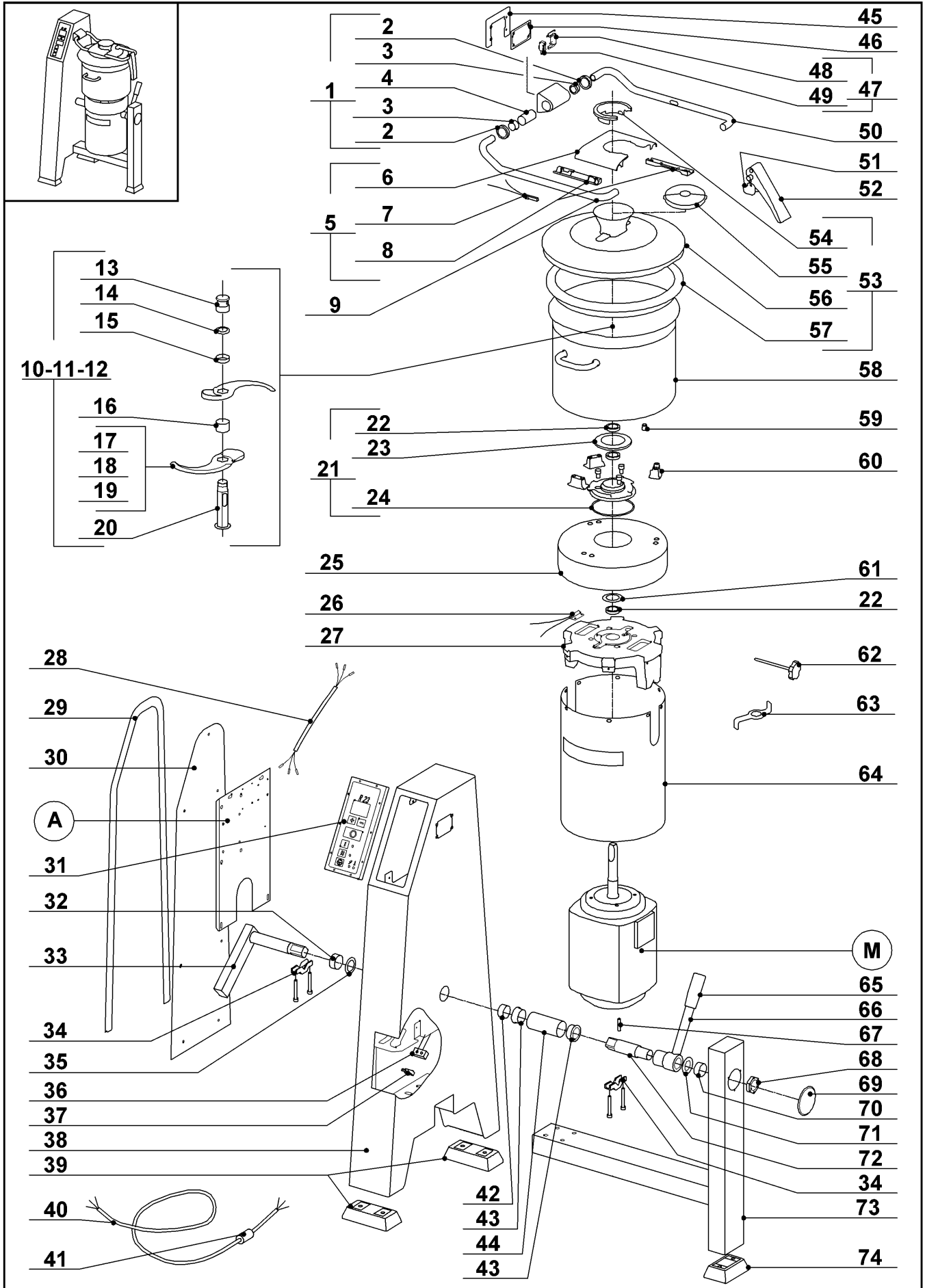


6 →



7



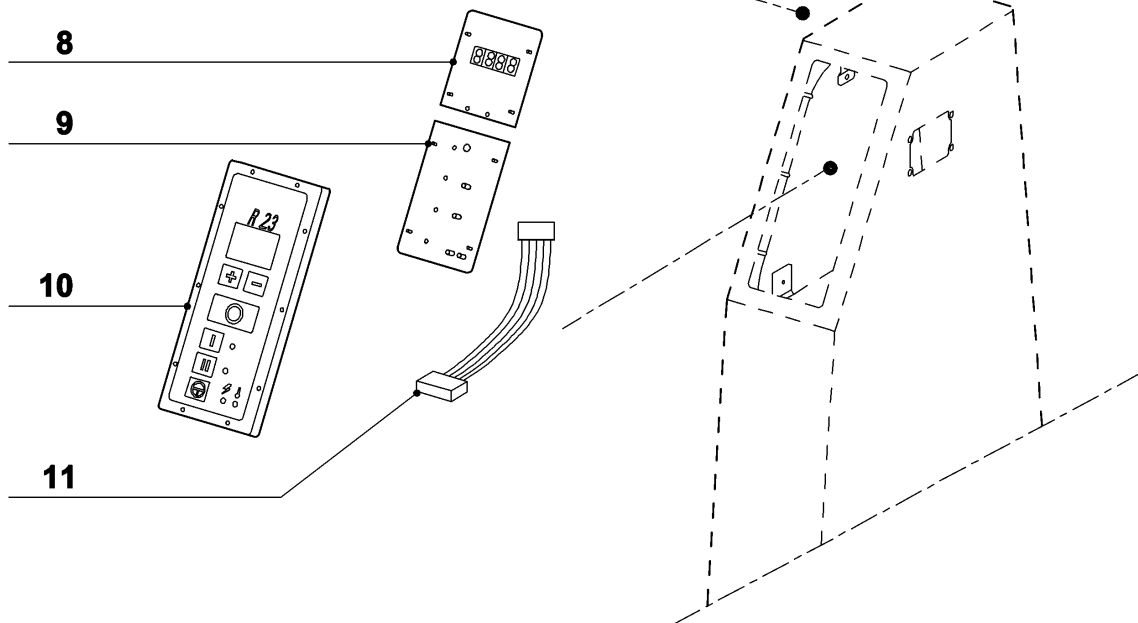
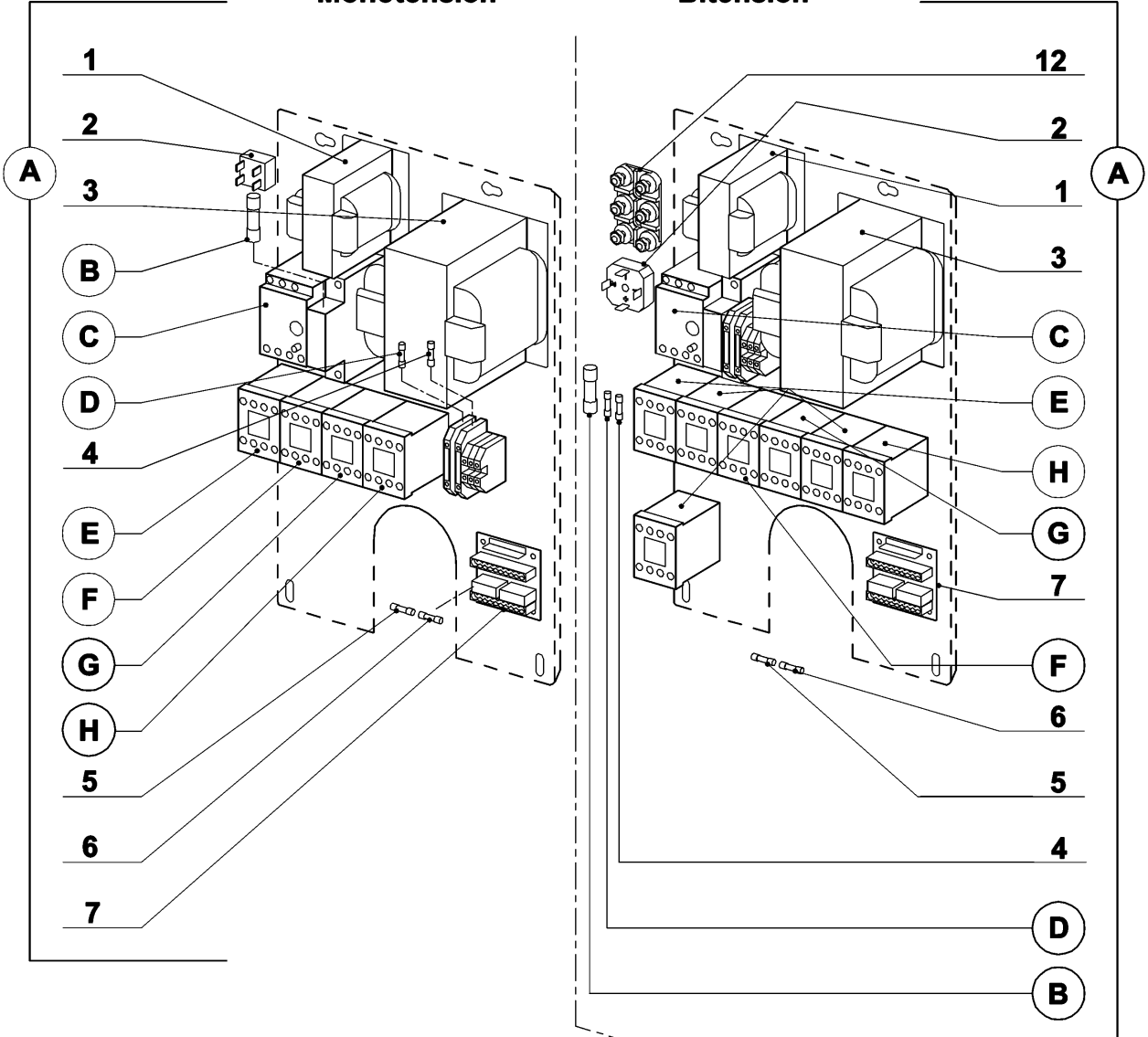


<i>Index</i>	<i>Pièce / Part</i>	<i>Désignation</i>	<i>Description</i>
1	29 635	ENS CHARNIERE	/ HINGE ASSEMBLY
2	501 424	BAGUE ETANCHE 20X30	/ SEALING RING 20X30
3	118 126	DOUILLE	/ BUSH
4	118 253	CAME BRAS	/ ARM CAM
5	59 130	ENS. SUPPORT COUVERCLE	/ LID SUPPORT ASSEMBLY
6	118 101	SUPPORT COUVERCLE	/ LID SUPPORT
7	118 132	ILS BRAS	/ ARM REED SWITCH
8	59 131	ENS. PINCES BRAS	/ ARM CLIP ASSEMBLY
9	118 105	TUBE GAUCHE	/ LEFT LID TUBE
10	57 069	COUTEAU LISSE	/ STRAIGHT KNIFE
11	57 070	COUTEAU CRANTE	/ COARSE SERR. BLADE
12	57 072	COUTEAU DENTE	/ FINE SERR. BLADE
13	118 202	ECROU COUTEAU	/ BLADE LOCKING NUT
14	118 203	RONDELLE PLASTIQUE	/ PLASTIC WASHER
15	118 201	BAGUE COUTEAU 10mm	/ 10mm BLADE SPACER
16	118 200	BAGUE COUTEAU 32mm	/ 32mm BLADE SPACER
17	118 217	LAME LISSE	/ STRAIGHT BLADE
18	118 294	LAME CRANTEE	/ COARSE SERRATED BLADE
19	118 292	LAME DENTEE	/ FINE SERRATED BLADE
20	117 930	SUPPORT COUTEAU	/ BLADE SUPPORT
21	59 133	ENS. DOUILLE	/ SEALING SOCKET ASSEMBLY
22	501 105	BAGUE A LEVRE	/ LIP SEAL
23	118 153	JOINT FOND DE CUVE	/ BOWL SEAL
24	507 050	JOINT TORIQUE	/ O RING
25	118 151	JUPE HAUTE	/ UPPER MOTOR COVER
26	118 157	ILS ENTRETOISE	/ MOTOR SUPPORT REED SWITCH
27	59 134	ENS. ENTRETOISE	/ MOTOR SUPPORT ASSEMBLY
28	118 127	FAISCEAU ILS BRAS	/ SAFETY WIRING
29	118 256	JOINT FACE ARRIERE	/ CASING ACCESS DOOR SEAL
30	117 935	FACE ARRIERE	/ CASING ACCESS DOOR
31	59 157	ENS. CLAVIER	/ CONTROL PANEL ASSEMBLY
32	118 146	ENTRETOISE AXE ARRIERE	/ BACK TITLING PIVOT SPACER
33	59 156	ENS. AXE ARRIERE	/ BACK TILTING PIVOT ASSEMBLY
34	118 218	CAVALIER AXE BASCULEMENT	/ TILTING PIVOT STAPLE
35	118 147	RONDELLE APPUI ARRIERE	/ BACK THRUST WASHER
36	117 959	BUTEE BASCULEMENT	/ TILTING THRUST
37	507 007	SWITCH BASCULEMENT	/ TILTING SAFETY SWITCH
38	117 934	CAISSON	/ CASING
39	118 186	PIED ARRIERE	/ CASING FOOT
40	502 686	CABLE	/ POWER CORD
41	515 515	PASSE-FIL	/ POWER CORD PROTECTOR
42	118 148	DOUILLE PALIER ARRIERE	/ BACK BEARING BUSH
43	118 150	DOUILLE MANCHON	/ SLEEVE BUSH
44	118 156	MANCHON 87mm	/ SLEEVE 87mm
45	118 128	PLAQUE RENFORT CHARNIERE	/ HINGE FIXING PLATE
46	118 255	JOINT PLAT DE CHARNIERE	/ HINGE FLAT SEAL
47	59 127	ENS. INTER SECURITE	/ SAFETY SWITCH ASSEMBLY
48	118 254	SUPPORT INTERRUPTEUR	/ SWITCH SUPPORT
49	501 258	INTERRUPTEUR SECURITE	/ SAFETY SWITCH
50	118 104	TUBE DROIT	/ RIGHT LID TUBE
51	118 172	CROCHET DE COUVERCLE	/ LID HOOK
52	59 129	ENS POIGNEE COUVERCLE	/ LID HANDLE ASSEMBLY
53	59 153	ENS. COUVERCLE COMPLET	/ COMPLETE LID ASSEMBLY
54	118 100	GUIDE COUVERCLE	/ LID GUIDE
55	118 573	BOUCHON SOUPLE	/ SOFT LID CUP

Index	Pièce / Part	Désignation	/	Description
56	118 177	COUVERCLE PLASTIQUE	/	PLASTIC LID
57	118 239	JOINT COUVERCLE	/	LID SEAL
58	59 155	ENS. CUVE	/	BOWL ASSEMBLY
59	118 171	BOUCHON SECURITE	/	SAFETY PLUG
60	59 165	ENS. APPUI DE CUVE	/	BOWL THRUST ASSEMBLY
61	118 155	DEFLECTEUR MOTEUR	/	MOTOR DEFLECTOR
62	59 950	ENS. TIGE R25	/	PIN ASSEMBLY
63	118 267	DEMONTE COUTEAU	/	KNIFE TOOL
64	118 296	JUPE BASSE	/	BOTTOM MOTOR COVER
65	118 142	POIGNEE	/	HANDLE
66	59 138	ENS. LEVIER DE SERRAGE	/	LOCKING LEVER ASSEMBLY
67	208 582	GOUPILLE	/	PIN
68	118 166	ECROU REGLAGE BASCUL.	/	TILTING ADJUSTING NUT
69	117 956	BOUCHON	/	PLUG
70	118 144	DOUILLE PALIER AVANT	/	FRONT BEARING BUSH
71	118 143	RONDELLE D'APPUI AVANT	/	FRONT THRUST WASHER
72	59 137	ENS. AXE AVANT	/	FRONT TILTING PIVOT ASSEMBLY
73	118 189	PIEtement	/	STAND
74	117 958	PIED AVANT	/	STAND FOOT
A		PLATINE DE PUISSANCE	/	POWER CIRCUIT BOARD
M		MOTEUR	/	MOTOR
Machine	Voltage	A	M	
51 032	230/400/50/3	117 990	303 065	
51 033	400/50/3	117 987	303 062	
51 034	220/60/3	117 989	303 068	
51 038	380/60/3	117 987	303 130	

Monotension

Bitension



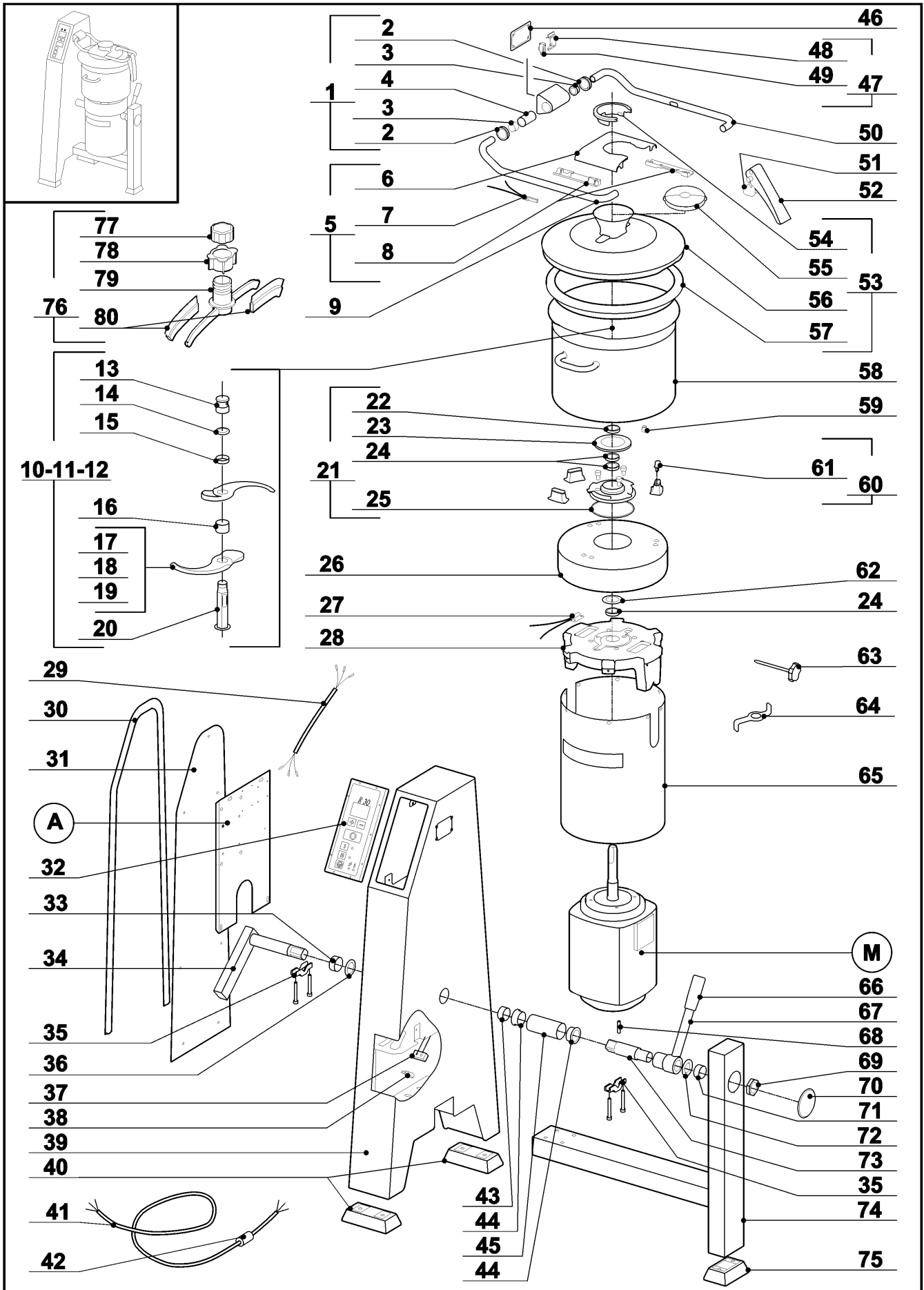
Index	Pièce / Part	Désignation	/	Description
1	503 352	TRANSFORMATEUR 9/24V	/	TRANSFORMER 9/24V
2	511 620	PONT DE DIODES	/	TRANSFORMER
3	503 353	TRANSFORMATEUR 48V	/	TRANSFORMER 48V
4	500 537	FUSIBLE PRIMAIRE 9/24V	/	PRIMARY FUSE 9/24V
5	504 253	FUSIBLE SECONDAIRE 9V	/	SECONDARY FUSE 9V
6	503 106	FUSIBLE SECONDAIRE 24V	/	SECONDARY FUSE 24V
7	117 980	CARTE CONNECTION	/	CONNECTION CARD
8	117 999	CARTE TIMER	/	TIMER CIRCUIT BOARD
9	117 981	CARTE COMMANDE	/	CONTROL CIRCUIT BOARD
10	59 157	ENS. TABLEAU COMMANDE 6 TOUCHES	/	SWITCH PANEL 6 TOUCH PADS
11	117 982	LIMANDE	/	FLAT LINK CABLE
12	507 167	BARRETTE DE COMMUTATION	/	COMMUTATION SUPPORT

A	PLATINE DE PUISSANCE	/	POWER CIRCUIT BOARD
B	FUSIBLE DE FREINAGE	/	BREAK FUSE
C	RELAIS THERMIQUE	/	THERMAL RELAY
D	FUSIBLE PRIMAIRE 48V	/	PRIMARY FUSE 48V
E	CONTACTEUR COMMUTATION	/	COMMUTATION CONTACTOR
F	CONTACTEUR 1 ^{ère} VITESSE	/	LOW SPEED CONTACTOR
G	CONTACTEUR FREINAGE	/	BREAKING CONTACTOR
H	CONTACTEUR 2 ^{ème} VITESSE	/	HIGHT SPEED CONTACTOR

Machine	Voltage	A	B	C	D	E	F
51 032	230/400/50/3	117 990	503 356	503 376	503 108	503 364	503 364
51 033	400/50/3	117 987	503 355	503 354	500 537	503 361	503 363
51 034	220/60/3	117 989	503 356	503 376	503 108	503 364	503 364
51 038	380/60/3	117 987	503 355	503 354	500 537	503 361	503 363
Machine	Voltage	G	H				
51 032	230/400/50/3	503 362	503 362				
51 033	400/50/3	503 363	503 363				
51 034	220/60/3	503 364	503 364				
51 038	380/60/3	503 363	503 363				

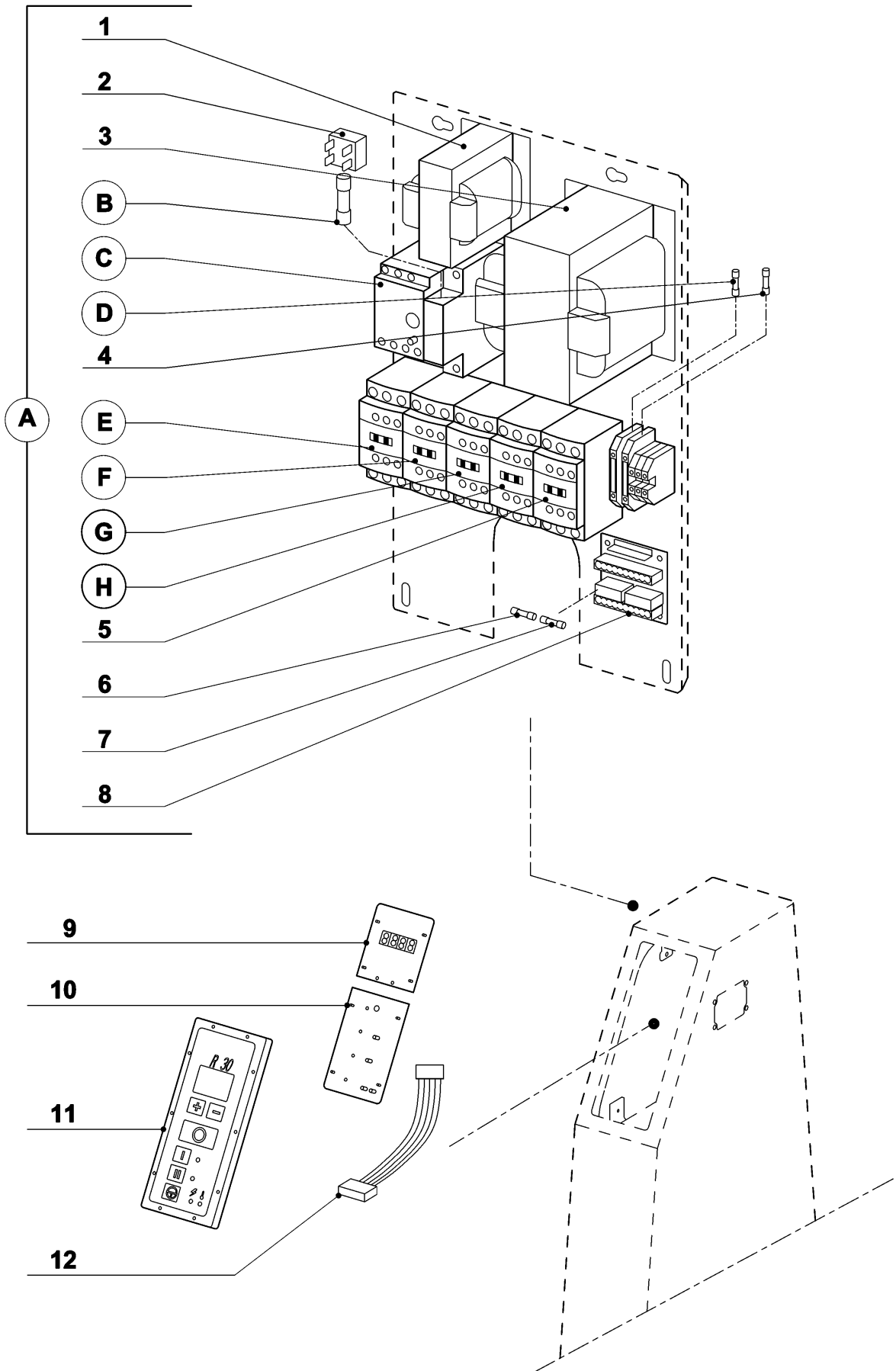
robot coupe®

R 30 5000W



<i>Index</i>	<i>Pièce / Part</i>	<i>Désignation</i>	<i>Description</i>
1	59 128	ENS. CHARNIERE	/ HINGE ASSEMBLY
2	501 424	BAGUE ETANCHE 20X30	/ SEALING RING 20X30
3	118 126	DOUILLE	/ BUSH
4	118 253	CAME BRAS	/ ARM CAM
5	59 130	ENS. SUPPORT COUVERCLE	/ LID SUPPORT ASSEMBLY
6	118 101	SUPPORT COUVERCLE	/ LID SUPPORT
7	118 132	ILS BRAS	/ ARM REED SWITCH
8	59 131	ENS. PINCES BRAS	/ ARM CLIP ASSEMBLY
9	119 207	TUBE GAUCHE	/ LEFT LID TUBE
10	57 074	COUTEAU LISSE	/ STRAIGHT KNIFE
11	57 075	COUTEAU CRANTE	/ COARSE SERR. BLADE
12	57 077	COUTEAU DENTE	/ FINE SERR. BLADE
13	118 202	ECROU COUTEAU	/ BLADE LOCKING NUT
14	118 203	RONDELLE PLASTIQUE	/ PLASTIC WASHER
15	118 201	BAGUE COUTEAU 10mm	/ 10mm BLADE SPACER
16	118 200	BAGUE COUTEAU 32mm	/ 32mm BLADE SPACER
17	117 950	LAME LISSE	/ STRAIGHT BLADE
18	118 286	LAME CRANTEE	/ COARSE SERRATED BLADE
19	118 241	LAME DENTEE	/ FINE SERRATED BLADE
20	117 930	SUPPORT COUTEAU	/ BLADE SUPPORT
21	59 133	ENS. DOUILLE	/ SEALING SOCKET ASSEMBLY
22	507 168	JOINT FACIAL	/ SHAFT SEAL
23	118 153	JOINT FOND DE CUVE	/ BOWL SEAL
24	501 105	BAGUE A LEVRE	/ LIP SEAL
25	507 050	JOINT TORIQUE	/ O RING
26	118 151	JUPE HAUTE	/ UPPER MOTOR COVER
27	118 157	ILS ENTRETOISE	/ MOTOR SUPPORT REED SWITCH
28	59 197	ENS. ENTRETOISE	/ MOTOR SUPPORT ASSEMBLY
29	118 127	FAISCEAU ILS BRAS	/ SAFETY WIRING
30	118 256	JOINT FACE ARRIERE	/ CASING ACCESS DOOR SEAL
31	117 935	FACE ARRIERE	/ CASING ACCESS DOOR
32	59 139	ENS. CLAVIER	/ CONTROL PANEL ASSEMBLY
33	118 146	ENTRETOISE AXE ARRIERE	/ BACK TILTING PIVOT SPACER
34	59 135	ENS. AXE ARRIERE	/ BACK TILTING PIVOT ASSEMBLY
35	119 214	CAVALIER AXE BASCULEMENT	/ TILTING PIVOT STAPLE
36	118 147	RONDELLE APPUI ARRIERE	/ BACK THRUST WASHER
37	117 959	BUTEE BASCULEMENT	/ TILTING THRUST
38	507 007	SWITCH BASCULEMENT	/ TILTING SAFETY SWITCH
39	117 934	CAISSON	/ CASING
40	118 186	PIED ARRIERE	/ CASING FOOT
41	502 686	CABLE	/ POWER CORD
42	515 515	PASSE-FIL	/ POWER CORD PROTECTOR
43	118 148	DOUILLE PALIER ARRIERE	/ BACK BEARING BUSH
44	118 150	DOUILLE MANCHON	/ SLEEVE BUSH
45	118 149	MANCHON 107mm	/ SLEEVE 107mm
46	118 255	JOINT PLAT DE CHARNIERE	/ HINGE FLAT SEAL
47	59 127	ENS. INTER SECURITE	/ SAFETY SWITCH ASSEMBLY
48	118 254	SUPPORT INTERRUPTEUR	/ SWITCH SUPPORT
49	501 258	INTERRUPTEUR SECURITE	/ SAFETY SWITCH
50	119 206	TUBE DROIT	/ RIGHT LID TUBE
51	119 212	CROCHET DE COUVERCLE	/ LID HOOK
52	59 196	ENS. POIGNEE COUVERCLE	/ LID HANDLE ASSEMBLY
53	59 126	ENS. COUVERCLE COMPLET	/ COMPLETE LID ASSEMBLY
54	118 100	GUIDE COUVERCLE	/ LID GUIDE
55	118 573	BOUCHON SOUPLE	/ SOFT LID CUP

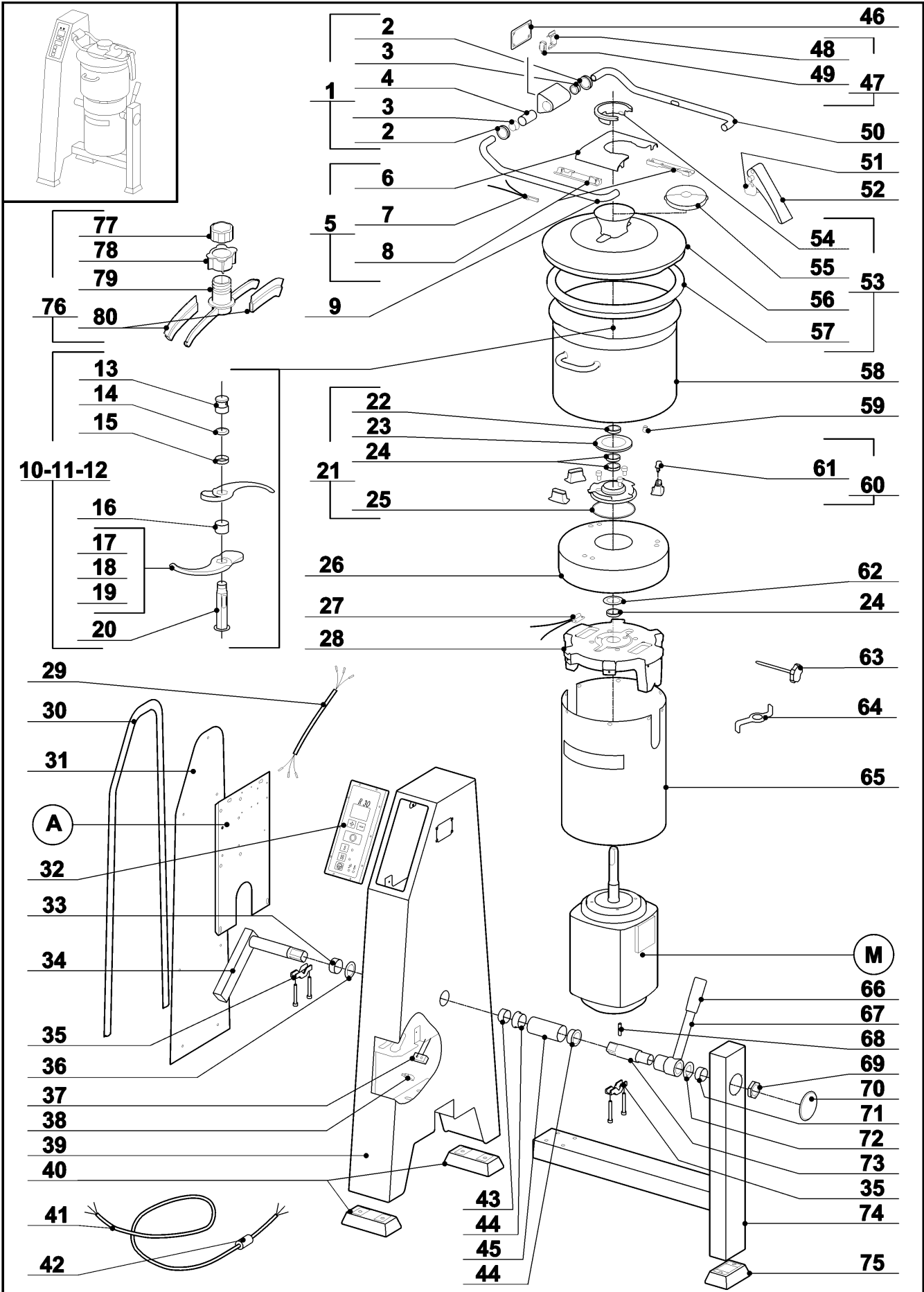
Index	Pièce / Part	Désignation	/	Description
56	118 178	COUVERCLE PLASTIQUE	/	PLASTIC LID
57	119 184	JOINT COUVERCLE	/	LID SEAL
58	59 132	ENS. CUVE	/	BOWL ASSEMBLY
59	118 171	BOUCHON SECURITE	/	SAFETY PLUG
60	59 165	ENS. APPUI DE CUVE	/	BOWL THRUST ASSEMBLY
61	118 595	TALON APPUI CUVE	/	PLASTIC BOWL THRUST
62	118 155	DEFLECTEUR MOTEUR	/	MOTOR DEFLECTOR
63	59 950	ENS. TIGE R25	/	PIN ASSEMBLY
64	118 267	DEMONTE COUTEAU	/	KNIFE TOOL
65	118 296	JUPE BASSE	/	BOTTOM MOTOR COVER
66	118 142	POIGNEE	/	HANDLE
67	59 138	ENS. LEVIER DE SERRAGE	/	LOCKING LEVER ASSEMBLY
68	208 582	GOUPILLE	/	PIN
69	118 166	ECROU REGLAGE BASCUL.	/	TILTING ADJUSTING NUT
70	117 956	BOUCHON	/	PLUG
71	118 144	DOUILLE PALIER AVANT	/	FRONT BEARING BUSH
72	118 143	RONDELLE D'APPUI AVANT	/	FRONT THRUST WASHER
73	59 137	ENS. AXE AVANT	/	FRONT TILTING PIVOT ASSEMBLY
74	117 936	PIEtement	/	STAND
75	117 958	PIED AVANT	/	STAND FOOT
76	59 206	ENS ESSUIE COUVERCLE	/	LID WIPER ASSEMBLY
77	118 227	ECROU ESSUIE COUVERCLE	/	LID WIPER NUT
78	118 228	GUIDE ESSUIE COUVERCLE	/	LID WIPER GUIDE
79	118 221	ESSUIE COUVERCLE	/	LID WIPER
80	118 224	RACLEUR SOUPLE COUVERCLE	/	LID SOFT WIPER
A PLATINE DE PUISSANCE / POWER CIRCUIT BOARD				
M MOTEUR / MOTOR				
Machine	Voltage	A	M	
52 033	400/50/3	117 987	303 062	
52 034	220/60/3	117 989	303 068	
52 038	380/60/3	117 987	303 130	



Index	Pièce / Part	Désignation						Description
1	503 352	TRANSFORMATEUR 9/24V						/ TRANSFORMER 9/24V
2	511 620	PONT DE DIODES						/ TRANSFORMER
3	503 353	TRANSFORMATEUR 48V						/ TRANSFORMER 48V
4	500 537	FUSIBLE PRIMAIRE 9/24V						/ PRIMARY FUSE 9/24V
5	507 174	CONTACTEUR COMMUTATION						/ COMMUTATION CONTACTOR
6	504 253	FUSIBLE SECONDAIRE 9V						/ SECONDARY FUSE 9V
7	503 106	FUSIBLE SECONDAIRE 24V						/ SECONDARY FUSE 24V
8	117 980	CARTE CONNECTION						/ CONNECTION CARD
9	117 999	CARTE TIMER						/ TIMER CIRCUIT BOARD
10	117 981	CARTE COMMANDE						/ CONTROL CIRCUIT BOARD
11	59 139	ENS. TABLEAU COMMANDE 6 TOUCHES						/ SWITCH PANEL 6 TOUCH PADS
12	117 982	LIMANDE						/ FLAT LINK CABLE
<hr/>								
A		PLATINE DE PUISSANCE						/ POWER CIRCUIT BOARD
B		FUSIBLE DE FREINAGE						/ BREAK FUSE
C		RELAIS THERMIQUE						/ THERMAL RELAY
D		FUSIBLE PRIMAIRE 48V						/ PRIMARY FUSE 48V
E		CONTACTEUR COMMUTATION						/ COMMUTATION CONTACTOR
F		CONTACTEUR 1 ^{ère} VITESSE						/ LOW SPEED CONTACTOR
G		CONTACTEUR FREINAGE						/ BREAKING CONTACTOR
H		CONTACTEUR 2 ^{ème} VITESSE						/ HIGH SPEED CONTACTOR
<hr/>								
Machine	Voltage	A	B	C	D	E	F	
52 033	400/50/3	117 987	503 355	503 354	500 537	503 363	503 363	
52 034	220/60/3	117 989	503 356	503 376	503 108	503 364	503 364	
52 038	380/60/3	117 987	503 355	503 354	500 537	503 363	503 363	
<hr/>								
Machine	Voltage	G	H					
52 033	400/50/3	503 363	503 363					
52 034	220/60/3	503 364	503 364					
52 038	380/60/3	503 363	503 363					

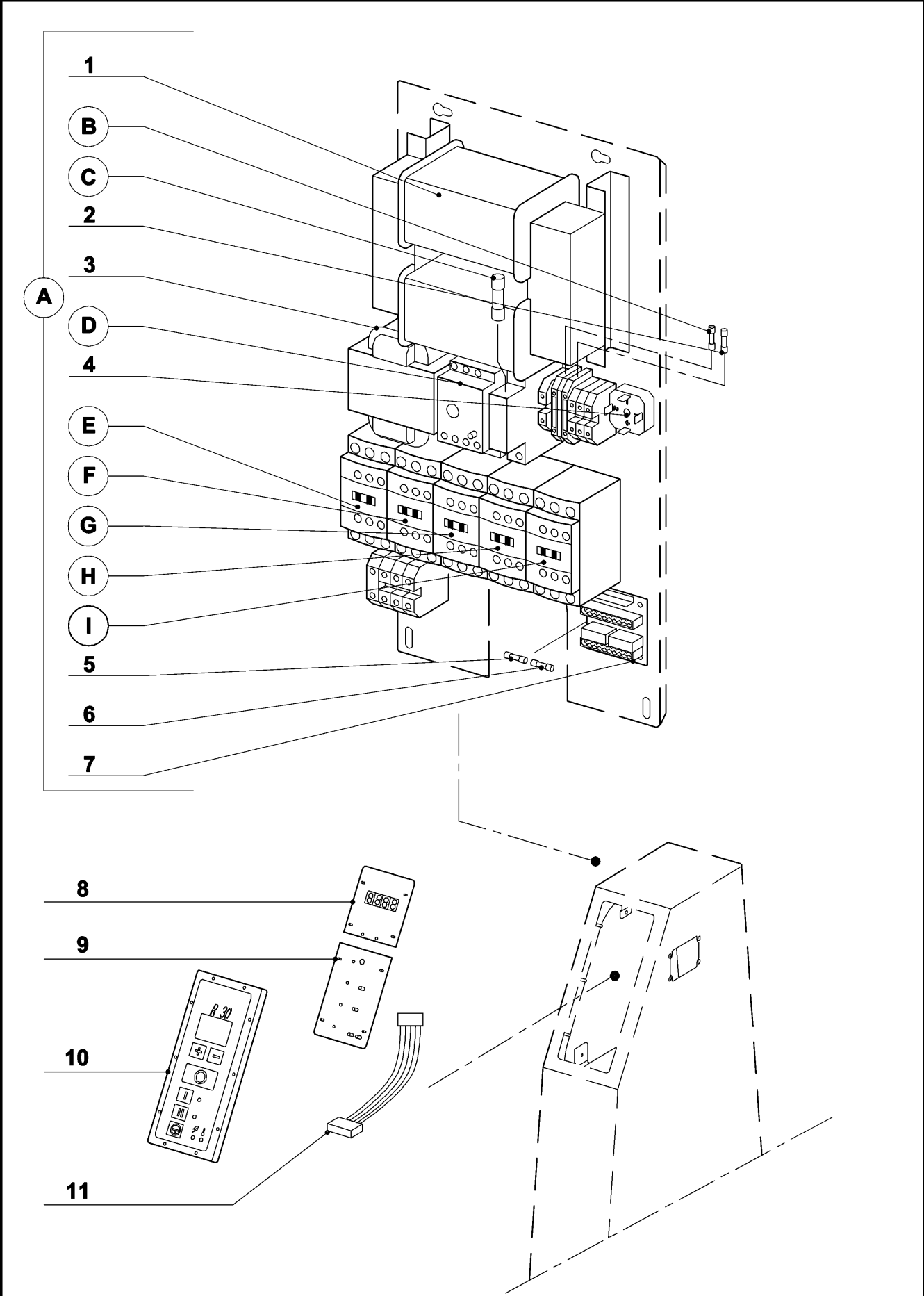
robot coupe®

R 30 5400W



<i>Index</i>	<i>Pièce / Part</i>	<i>Désignation</i>	<i>Description</i>
1	59 128	ENS. CHARNIERE	/ HINGE ASSEMBLY
2	501 424	BAGUE ETANCHE 20X30	/ SEALING RING 20X30
3	118 126	DOUILLE	/ BUSH
4	118 253	CAME BRAS	/ ARM CAM
5	59 130	ENS. SUPPORT COUVERCLE	/ LID SUPPORT ASSEMBLY
6	118 101	SUPPORT COUVERCLE	/ LID SUPPORT
7	118 132	ILS BRAS	/ ARM REED SWITCH
8	59 131	ENS. PINCES BRAS	/ ARM CLIP ASSEMBLY
9	119 207	TUBE GAUCHE	/ LEFT LID TUBE
10	57 074	COUTEAU LISSE	/ STRAIGHT KNIFE
11	57 075	COUTEAU CRANTE	/ COARSE SERR. BLADE
12	57 077	COUTEAU DENTE	/ FINE SERR. BLADE
13	118 202	ECROU COUTEAU	/ BLADE LOCKING NUT
14	118 203	RONDELLE PLASTIQUE	/ PLASTIC WASHER
15	118 201	BAGUE COUTEAU 10mm	/ 10mm BLADE SPACER
16	118 200	BAGUE COUTEAU 32mm	/ 32mm BLADE SPACER
17	117 950	LAME LISSE	/ STRAIGHT BLADE
18	118 286	LAME CRANTEE	/ COARSE SERRATED BLADE
19	118 241	LAME DENTEE	/ FINE SERRATED BLADE
20	117 930	SUPPORT COUTEAU	/ BLADE SUPPORT
21	59 133	ENS. DOUILLE	/ SEALING SOCKET ASSEMBLY
22	507 168	JOINT FACIAL	/ SHAFT SEAL
23	118 153	JOINT FOND DE CUVE	/ BOWL SEAL
24	501 105	BAGUE A LEVRE	/ LIP SEAL
25	507 050	JOINT TORIQUE	/ O RING
26	118 151	JUPE HAUTE	/ UPPER MOTOR COVER
27	118 157	ILS ENTRETOISE	/ MOTOR SUPPORT REED SWITCH
28	59 197	ENS. ENTRETOISE	/ MOTOR SUPPORT ASSEMBLY
29	118 127	FAISCEAU ILS BRAS	/ SAFETY WIRING
30	118 256	JOINT FACE ARRIERE	/ CASING ACCESS DOOR SEAL
31	117 935	FACE ARRIERE	/ CASING ACCESS DOOR
32	59 139	ENS. CLAVIER	/ CONTROL PANEL ASSEMBLY
33	118 146	ENTRETOISE AXE ARRIERE	/ BACK TILTING PIVOT SPACER
34	59 135	ENS. AXE ARRIERE	/ BACK TILTING PIVOT ASSEMBLY
35	119 214	CAVALIER AXE BASCULEMENT	/ TILTING PIVOT STAPLE
36	118 147	RONDELLE APPUI ARRIERE	/ BACK THRUST WASHER
37	117 959	BUTEE BASCULEMENT	/ TILTING THRUST
38	507 007	SWITCH BASCULEMENT	/ TILTING SAFETY SWITCH
39	117 934	CAISSON	/ CASING
40	118 186	PIED ARRIERE	/ CASING FOOT
41	502 687	CABLE	/ POWER CORD
42	501 773	PASSE-FIL	/ POWER CORD PROTECTOR
43	118 148	DOUILLE PALIER ARRIERE	/ BACK BEARING BUSH
44	118 150	DOUILLE MANCHON	/ SLEEVE BUSH
45	118 149	MANCHON 107mm	/ SLEEVE 107mm
46	118 255	JOINT PLAT DE CHARNIERE	/ HINGE FLAT SEAL
47	59 127	ENS. INTER SECURITE	/ SAFETY SWITCH ASSEMBLY
48	118 254	SUPPORT INTERRUPTEUR	/ SWITCH SUPPORT
49	501 258	INTERRUPTEUR SECURITE	/ SAFETY SWITCH
50	119 206	TUBE DROIT	/ RIGHT LID TUBE
51	119 212	CROCHET DE COUVERCLE	/ LID HOOK
52	59 196	ENS POIGNEE COUVERCLE	/ LID HANDLE ASSEMBLY
53	59 126	ENS. COUVERCLE COMPLET	/ COMPLETE LID ASSEMBLY
54	118 100	GUIDE COUVERCLE	/ LID GUIDE
55	118 573	BOUCHON SOUPLE	/ SOFT LID CUP

Index	Pièce / Part	Désignation	Description
56	118 178	COUVERCLE PLASTIQUE	/ PLASTIC LID
57	119 184	JOINT COUVERCLE	/ LID SEAL
58	59 132	ENS. CUVE	/ BOWL ASSEMBLY
59	118 171	BOUCHON SECURITE	/ SAFETY PLUG
60	59 165	ENS. APPUI DE CUVE	/ BOWL THRUST ASSEMBLY
61	118 595	TALON APPUI CUVE	/ PLASTIC BOWL THRUST
62	118 155	DEFLECTEUR MOTEUR	/ MOTOR DEFLECTOR
63	59 950	ENS. TIGE R25	/ PIN ASSEMBLY
64	118 267	DEMONTE COUTEAU	/ KNIFE TOOL
65	118 296	JUPE BASSE	/ BOTTOM MOTOR COVER
66	118 142	POIGNEE	/ HANDLE
67	59 138	ENS. LEVIER DE SERRAGE	/ LOCKING LEVER ASSEMBLY
68	208 582	GOUPILLE	/ PIN
69	118 166	ECROU REGLAGE BASCUL.	/ TILTING ADJUSTING NUT
70	117 956	BOUCHON	/ PLUG
71	118 144	DOUILLE PALIER AVANT	/ FRONT BEARING BUSH
72	118 143	RONDELLE D'APPUI AVANT	/ FRONT THRUST WASHER
73	59 137	ENS. AXE AVANT	/ FRONT TILTING PIVOT ASSEMBLY
74	117 936	PIEtement	/ STAND
75	117 958	PIED AVANT	/ STAND FOOT
76	59 206	ENS ESSUIE COUVERCLE	/ LID WIPER ASSEMBLY
77	118 227	ECROU ESSUIE COUVERCLE	/ LID WIPER NUT
78	118 228	GUIDE ESSUIE COUVERCLE	/ LID WIPER GUIDE
79	118 221	ESSUIE COUVERCLE	/ LID WIPER
80	118 224	RACLEUR SOUPLE COUVERCLE	/ LID SOFT WIPER
A		PLATINE DE PUISSANCE	/ POWER CIRCUIT BOARD
M		MOTEUR	/ MOTOR
Machine	Voltage	A	M
52 066	400/50/3	119 178	303 134
52 067	220/60/3	119 179	303 071
52 068	380/60/3	119 178	303 136
52 069	230/50/3	119 179	303 138



<i>Index</i>	<i>Pièce / Part</i>	<i>Désignation</i>	<i>Description</i>
1	503 971	TRANSFORMATEUR 48V	/ TRANSFORMER 48V
2	500 537	FUSIBLE PRIMAIRE 9/24V	/ PRIMARY FUSE 9/24V
3	503 970	TRANSFORMATEUR 9/24V	/ TRANSFORMER 9/24V
4	511 620	PONT DE DIODES	/ TRANSFORMER
5	504 253	FUSIBLE SECONDAIRE 9V	/ SECONDARY FUSE 9V
6	507 121	FUSIBLE SECONDAIRE 24V	/ SECONDARY FUSE 24V
7	117 980	CARTE CONNECTION	/ CONNECTION CARD
8	117 999	CARTE TIMER	/ TIMER CIRCUIT BOARD
9	117 981	CARTE COMMANDE	/ CONTROL CIRCUIT BOARD
10	59 139	ENS. TABLEAU COMMANDE 6 TOUCHES	/ SWITCH PANEL 6 TOUCH PADS
11	117 982	LIMANDE	/ FLAT LINK CABLE

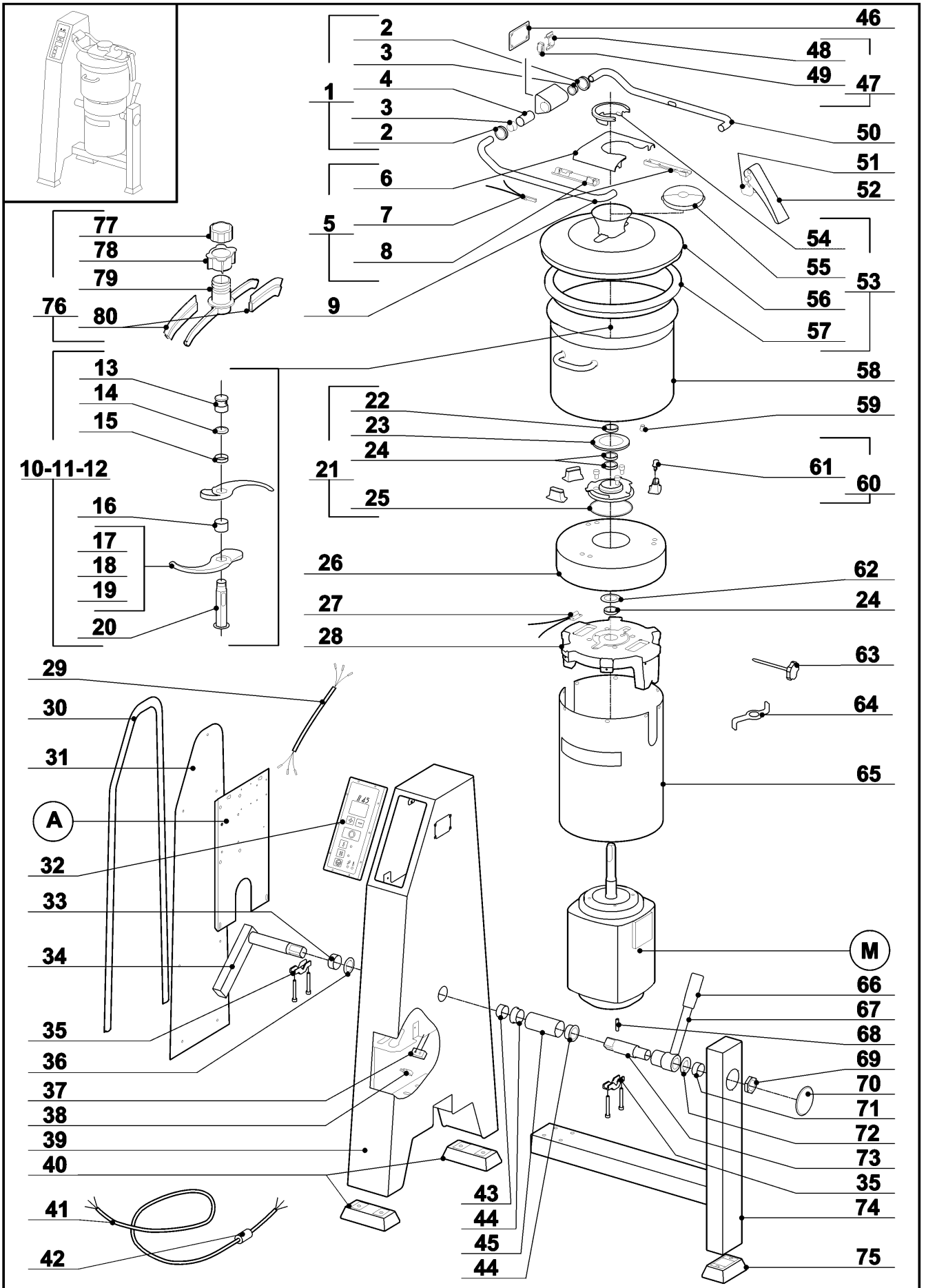
A	PLATINE DE PUISSANCE	/ POWER CIRCUIT BOARD
B	FUSIBLE PRIMAIRE 48V	/ PRIMARY FUSE 48V
C	FUSIBLE DE FREINAGE	/ BREAK FUSE
D	RELAIS THERMIQUE	/ THERMAL RELAY
E	CONTACTEUR COMMUTATION	/ COMMUTATION CONTACTOR
F	CONTACTEUR 1 ^{ère} VITESSE	/ LOW SPEED CONTACTOR
G	CONTACTEUR FREINAGE	/ BREAKING CONTACTOR
H	CONTACTEUR 2 ^{ème} VITESSE	/ HIGH SPEED CONTACTOR
I	CONTACTEUR COMMUTATION	/ COMMUTATION CONTACTOR

Machine	Voltage	A	B	C	D	E	F
52 066	400/50/3	119 178	503 106	503 356	503 960	503 363	503 363
52 067	220/60/3	119 179	504 257	502 495	503 376	503 362	503 362
52 068	380/60/3	119 178	503 106	503 356	503 960	503 363	503 363
52 069	230/50/3	119 179	504 257	502 495	503 376	503 362	503 362

Machine	Voltage	G	H	I
52 066	400/50/3	503 364	503 364	507 174
52 067	220/60/3	503 362	503 362	503 362
52 068	380/60/3	503 364	503 364	507 174
52 069	230/50/3	503 362	503 362	503 362

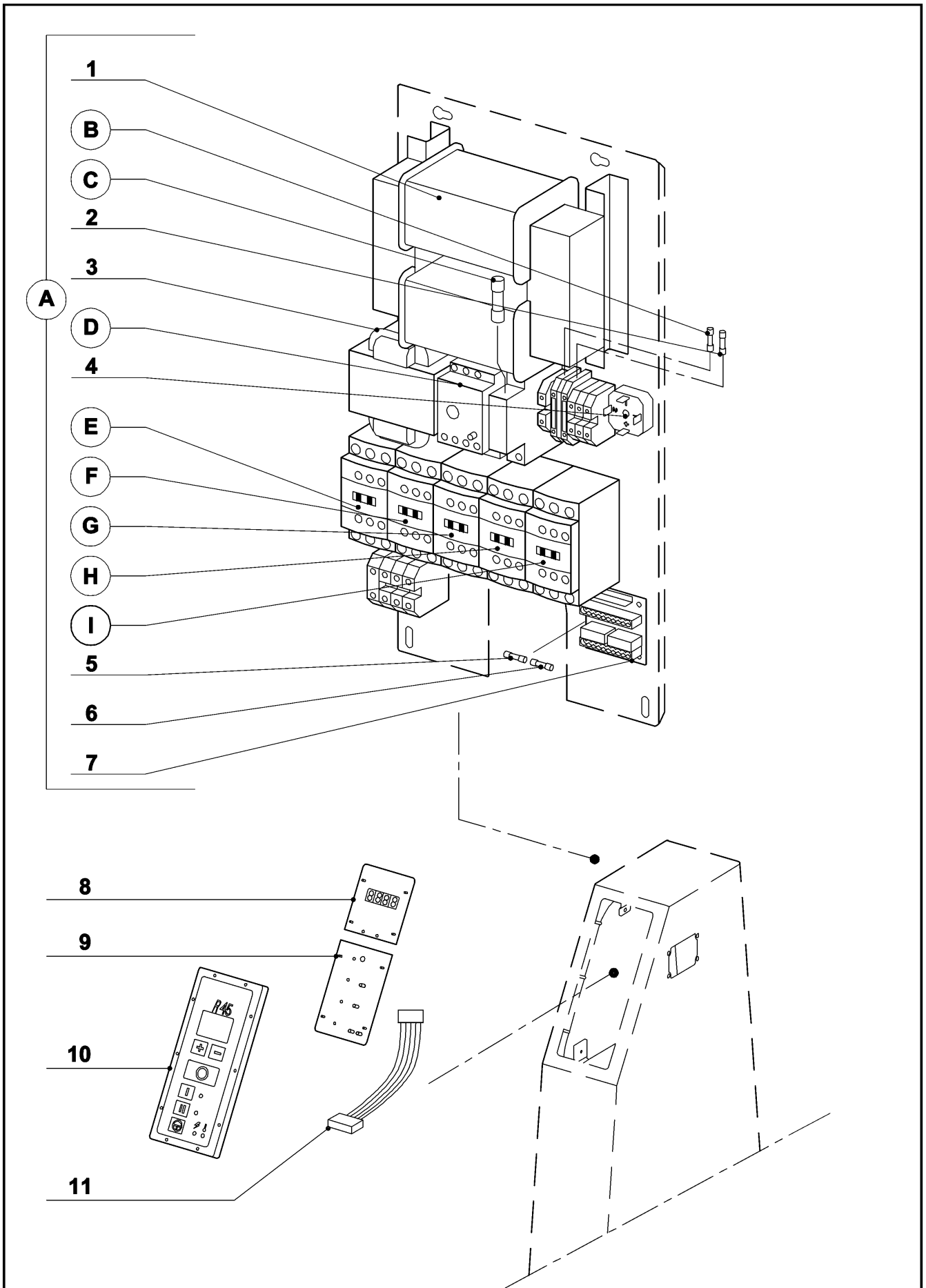
robot coupe®

R 45 6000W



<i>Index</i>	<i>Pièce / Part</i>	<i>Désignation</i>	<i>Description</i>
1	59 128	ENS. CHARNIERE	/ HINGE ASSEMBLY
2	501 424	BAGUE ETANCHE 20X30	/ SEALING RING 20X30
3	118 126	DOUILLE	/ BUSH
4	118 253	CAME BRAS	/ ARM CAM
5	59 130	ENS. SUPPORT COUVERCLE	/ LID SUPPORT ASSEMBLY
6	118 101	SUPPORT COUVERCLE	/ LID SUPPORT
7	118 132	ILS BRAS	/ ARM REED SWITCH
8	59 131	ENS. PINCES BRAS	/ ARM CLIP ASSEMBLY
9	119 209	TUBE GAUCHE	/ LEFT LID TUBE
10	57 081	COUTEAU LISSE	/ STRAIGHT KNIFE
11	57 082	COUTEAU CRANTE	/ COARSE SERR. BLADE
12	57 084	COUTEAU DENTE	/ FINE SERR. BLADE
13	118 206	ECROU COUTEAU	/ BLADE LOCKING NUT
14	118 207	RONDELLE PLASTIQUE	/ PLASTIC WASHER
15	118 204	BAGUE COUTEAU 14mm	/ 14mm BLADE SPACER
16	118 205	BAGUE COUTEAU 43mm	/ 43mm BLADE SPACER
17	117 952	LAME LISSE	/ STRAIGHT BLADE
18	118 287	LAME CRANTEE	/ COARSE SERRATED BLADE
19	118 243	LAME DENTEE	/ FINE SERRATED BLADE
20	117 932	SUPPORT COUTEAU	/ BLADE SUPPORT
21	59 143	ENS. DOUILLE	/ SEALING SOCKET ASSEMBLY
22	59 168	ENS JOINT FACIAL R45/R60	/ R45/R60 SHAFT SEAL ASSEMBLY
23	118 153	JOINT FOND DE CUVE	/ BOWL SEAL
24	507 054	BAGUE A LEVRE	/ LIP SEAL
25	507 050	JOINT TORIQUE	/ O RING
26	118 175	JUPE HAUTE	/ UPPER MOTOR COVER
27	118 157	ILS ENTRETOISE	/ MOTOR SUPPORT REED SWITCH
28	59 198	ENS. ENTRETOISE	/ MOTOR SUPPORT ASSEMBLY
29	118 127	FAISCEAU ILS BRAS	/ SAFETY WIRING
30	118 257	JOINT FACE ARRIERE	/ CASING ACCESS DOOR SEAL
31	117 940	FACE ARRIERE	/ CASING ACCESS DOOR
32	59 145	ENS. CLAVIER	/ CONTROL PANEL ASSEMBLY
33	118 146	ENTRETOISE AXE ARRIERE	/ BACK TILTING PIVOT SPACER
34	59 135	ENS. AXE ARRIERE	/ BACK TILTING PIVOT ASSEMBLY
35	119 214	CAVALIER AXE BASCULEMENT	/ TILTING PIVOT STAPLE
36	118 147	RONDELLE APPUI ARRIERE	/ BACK THRUST WASHER
37	117 959	BUTEE BASCULEMENT	/ TILTING THRUST
38	507 007	SWITCH BASCULEMENT	/ TILTING SAFETY SWITCH
39	117 939	CAISSON	/ CASING
40	118 186	PIED ARRIERE	/ CASING FOOT
41	502 687	CABLE	/ POWER CORD
42	501 773	PASSE-FIL	/ POWER CORD PROTECTOR
43	118 148	DOUILLE PALIER ARRIERE	/ BACK BEARING BUSH
44	118 150	DOUILLE MANCHON	/ SLEEVE BUSH
45	118 149	MANCHON 107mm	/ SLEEVE 107mm
46	118 255	JOINT PLAT DE CHARNIERE	/ HINGE FLAT SEAL
47	59 127	ENS. INTER SECURITE	/ SAFETY SWITCH ASSEMBLY
48	118 254	SUPPORT INTERRUPTEUR	/ SWITCH SUPPORT
49	501 258	INTERRUPTEUR SECURITE	/ SAFETY SWITCH
50	119 208	TUBE DROIT	/ RIGHT LID TUBE
51	119 212	CROCHET DE COUVERCLE	/ LID HOOK
52	59 196	ENS POIGNEE COUVERCLE	/ LID HANDLE ASSEMBLY
53	59 141	ENS. COUVERCLE COMPLET	/ COMPLETE LID ASSEMBLY
54	118 100	GUIDE COUVERCLE	/ LID GUIDE
55	118 573	BOUCHON SOUPLE	/ SOFT LID CUP

Index	Pièce / Part	Désignation	Description
56	118 179	COUVERCLE PLASTIQUE	/ PLASTIC LID
57	119 185	JOINT COUVERCLE	/ LID SEAL
58	59 142	ENS. CUVE	/ BOWL ASSEMBLY
59	118 171	BOUCHON SECURITE	/ SAFETY PLUG
60	59 165	ENS. APPUI DE CUVE	/ BOWL THRUST ASSEMBLY
61	118 595	TALON APPUI CUVE	/ PLASTIC BOWL THRUST
62	118 174	DEFLECTEUR MOTEUR	/ MOTOR DEFLECTOR
63	59 950	ENS. TIGE R25	/ PIN ASSEMBLY
64	118 268	DEMONTE COUTEAU	/ KNIFE TOOL
65	118 297	JUPE BASSE	/ BOTTOM MOTOR COVER
66	118 142	POIGNEE	/ HANDLE
67	59 138	ENS. LEVIER DE SERRAGE	/ LOCKING LEVER ASSEMBLY
68	208 582	GOUPILLE	/ PIN
69	118 166	ECROU REGLAGE BASCUL.	/ TILTING ADJUSTING NUT
70	117 956	BOUCHON	/ PLUG
71	118 144	DOUILLE PALIER AVANT	/ FRONT BEARING BUSH
72	118 143	RONDELLE D'APPUI AVANT	/ FRONT THRUST WASHER
73	59 137	ENS. AXE AVANT	/ FRONT TILTING PIVOT ASSEMBLY
74	117 941	PIEtement	/ STAND
75	117 958	PIED AVANT	/ STAND FOOT
76	59 207	ENS ESSUIE COUVERCLE	/ LID WIPER ASSEMBLY
77	118 227	ECROU ESSUIE COUVERCLE	/ LID WIPER NUT
78	118 228	GUIDE ESSUIE COUVERCLE	/ LID WIPER GUIDE
79	118 222	ESSUIE COUVERCLE	/ LID WIPER
80	118 225	RACLEUR SOUPLE COUVERCLE	/ LID SOFT WIPER
A		PLATINE DE PUISSANCE	/ POWER CIRCUIT BOARD
M		MOTEUR	/ MOTOR
	Machine	Voltage	A
	53 034	400/50/3	117 991
	53 035	220/60/3	117 993
	53 041	380/60/3	117 991
			M
			303 063
			303 069
			303 131



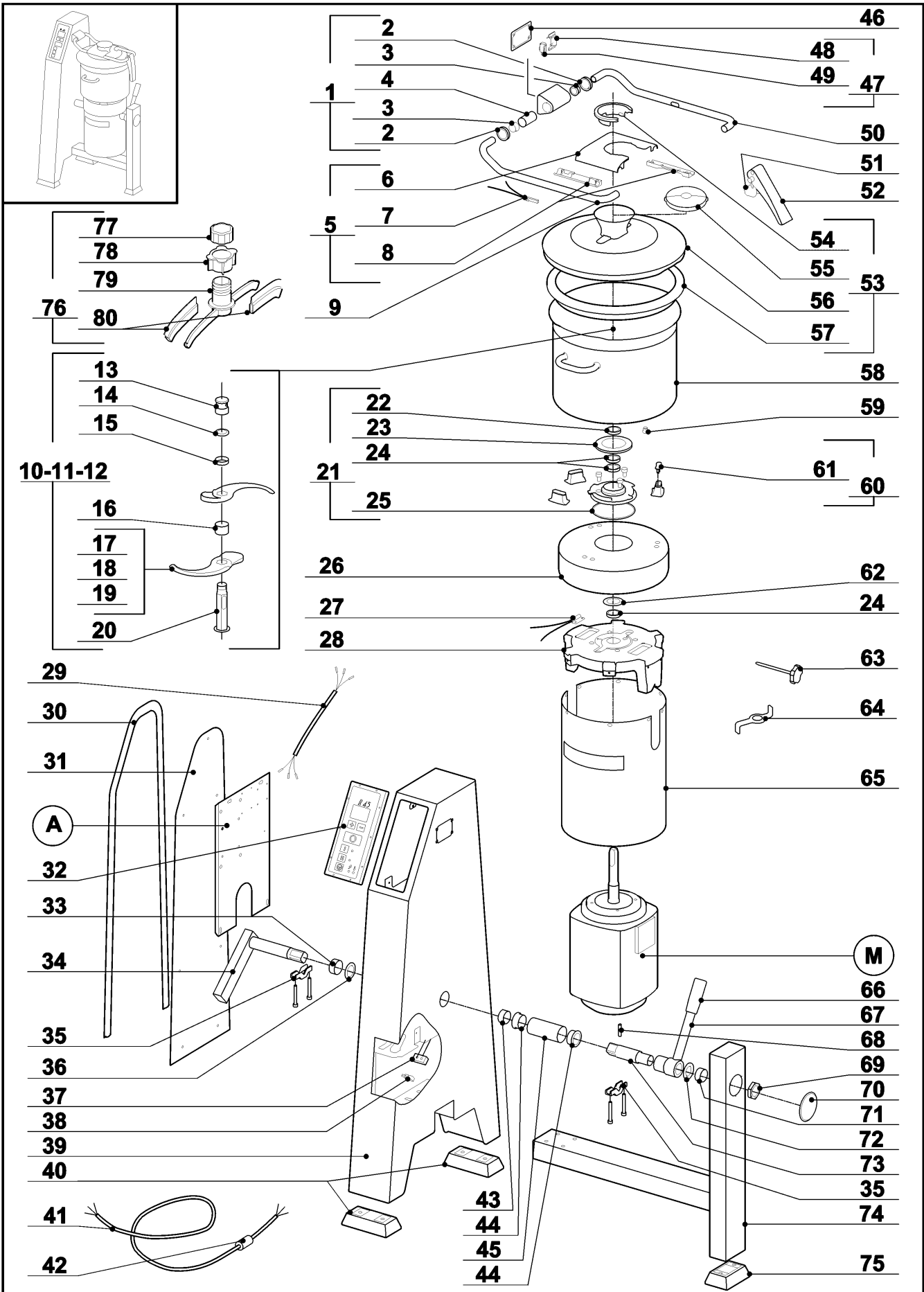
<i>Index</i>	<i>Pièce / Part</i>	<i>Désignation</i>	<i>Description</i>
1	503 971	TRANSFORMATEUR 48V	/ TRANSFORMER 48V
2	500 537	FUSIBLE PRIMAIRE 9/24V	/ PRIMARY FUSE 9/24V
3	503 970	TRANSFORMATEUR 9/24V	/ TRANSFORMER 9/24V
4	511 620	PONT DE DIODES	/ TRANSFORMER
5	504 253	FUSIBLE SECONDAIRE 9V	/ SECONDARY FUSE 9V
6	507 121	FUSIBLE SECONDAIRE 24V	/ SECONDARY FUSE 24V
7	117 980	CARTE CONNECTION	/ CONNECTION CARD
8	117 999	CARTE TIMER	/ TIMER CIRCUIT BOARD
9	117 981	CARTE COMMANDE	/ CONTROL CIRCUIT BOARD
10	59 145	ENS. TABLEAU COMMANDE 6 TOUCHES	/ SWITCH PANEL 6 TOUCH PADS
11	117 982	LIMANDE	/ FLAT LINK CABLE

A	PLATINE DE PUISSANCE	/ POWER CIRCUIT BOARD
B	FUSIBLE PRIMAIRE 48V	/ PRIMARY FUSE 48V
C	FUSIBLE DE FREINAGE	/ BREAK FUSE
D	RELAIS THERMIQUE	/ THERMAL RELAY
E	CONTACTEUR COMMUTATION	/ COMMUTATION CONTACTOR
F	CONTACTEUR 1 ^{ère} VITESSE	/ LOW SPEED CONTACTOR
G	CONTACTEUR FREINAGE	/ BREAKING CONTACTOR
H	CONTACTEUR 2 ^{ème} VITESSE	/ HIGH SPEED CONTACTOR
I	CONTACTEUR COMMUTATION	/ COMMUTATION CONTACTOR

Machine	Voltage	A	B	C	D	E	F
53 034	400/50/3	117 991	503 106	503 356	503 960	503 363	503 363
53 035	220/60/3	117 993	504 257	502 495	503 376	503 362	503 362
53 041	380/60/3	117 991	503 106	503 356	503 960	503 363	503 363
Machine	Voltage	G	H	I			
53 034	400/50/3	503 364	503 364	507 174			
53 035	220/60/3	503 362	503 362	503 362			
53 041	380/60/3	503 364	503 364	507 174			

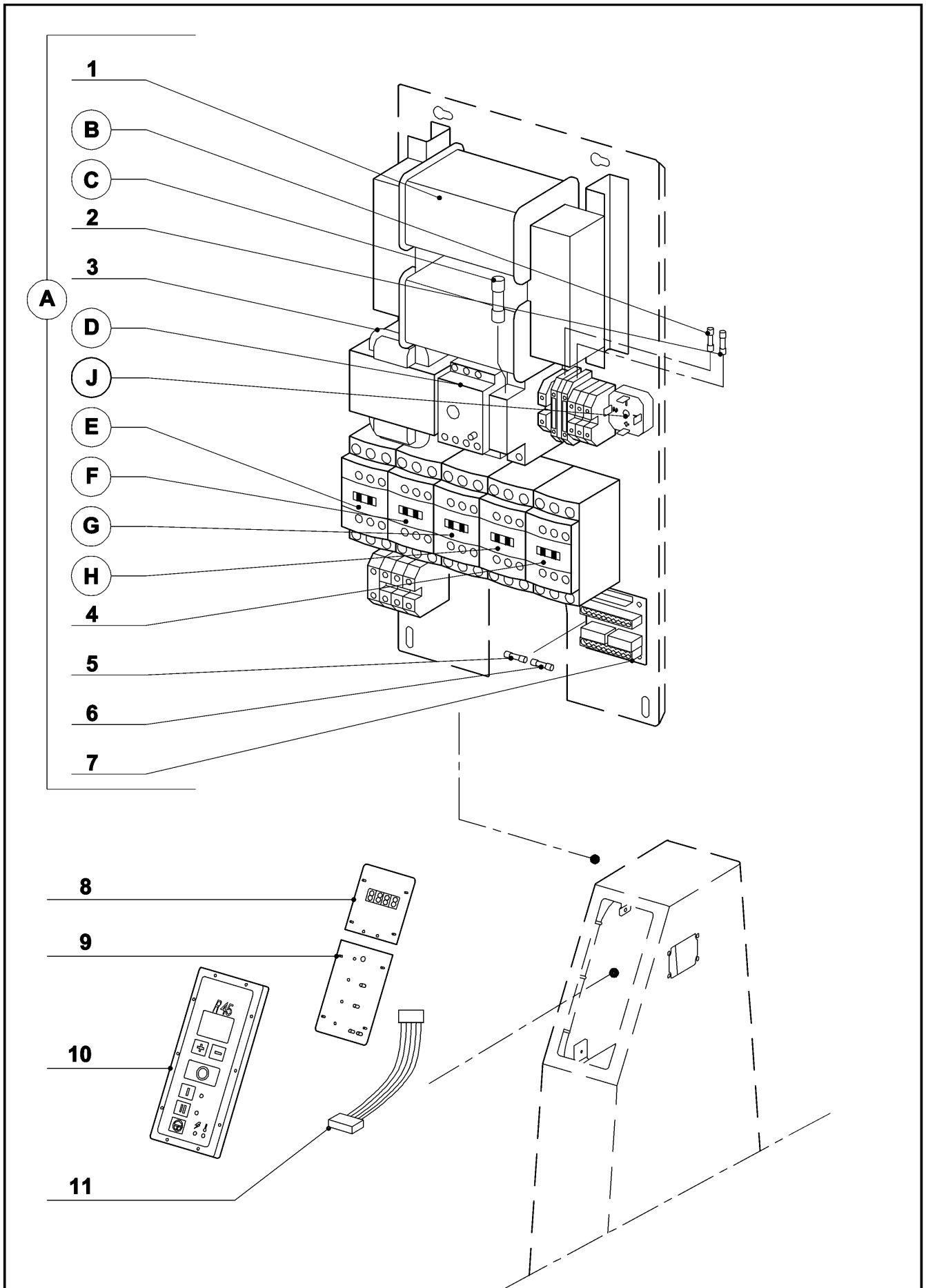
robot coupe®

R 45 10000W



<i>Index</i>	<i>Pièce / Part</i>	<i>Désignation</i>	<i>Description</i>
1	59 128	ENS. CHARNIERE	/ HINGE ASSEMBLY
2	501 424	BAGUE ETANCHE 20X30	/ SEALING RING 20X30
3	118 126	DOUILLE	/ BUSH
4	118 253	CAME BRAS	/ ARM CAM
5	59 130	ENS. SUPPORT COUVERCLE	/ LID SUPPORT ASSEMBLY
6	118 101	SUPPORT COUVERCLE	/ LID SUPPORT
7	118 132	ILS BRAS	/ ARM REED SWITCH
8	59 131	ENS. PINCES BRAS	/ ARM CLIP ASSEMBLY
9	119 209	TUBE GAUCHE	/ LEFT LID TUBE
10	57 081	COUTEAU LISSE	/ STRAIGHT KNIFE
11	57 082	COUTEAU CRANTE	/ COARSE SERR. BLADE
12	57 084	COUTEAU DENTE	/ FINE SERR. BLADE
13	118 206	ECROU COUTEAU	/ BLADE LOCKING NUT
14	118 207	RONDELLE PLASTIQUE	/ PLASTIC WASHER
15	118 204	BAGUE COUTEAU 14mm	/ 14mm BLADE SPACER
16	118 205	BAGUE COUTEAU 43mm	/ 43mm BLADE SPACER
17	117 952	LAME LISSE	/ STRAIGHT BLADE
18	118 287	LAME CRANTEE	/ COARSE SERRATED BLADE
19	118 243	LAME DENTEE	/ FINE SERRATED BLADE
20	117 932	SUPPORT COUTEAU	/ BLADE SUPPORT
21	59 143	ENS. DOUILLE	/ SEALING SOCKET ASSEMBLY
22	59 168	ENS JOINT FACIAL R45/R60	/ R45/R60 SHAFT SEAL ASSEMBLY
23	118 153	JOINT FOND DE CUVE	/ BOWL SEAL
24	507 054	BAGUE A LEVRE	/ LIP SEAL
25	507 050	JOINT TORIQUE	/ O RING
26	118 175	JUPE HAUTE	/ UPPER MOTOR COVER
27	118 157	ILS ENTRETOISE	/ MOTOR SUPPORT REED SWITCH
28	59 198	ENS. ENTRETOISE	/ MOTOR SUPPORT ASSEMBLY
29	118 127	FAISCEAU ILS BRAS	/ SAFETY WIRING
30	118 257	JOINT FACE ARRIERE	/ CASING ACCESS DOOR SEAL
31	117 940	FACE ARRIERE	/ CASING ACCESS DOOR
32	59 145	ENS. CLAVIER	/ CONTROL PANEL ASSEMBLY
33	118 146	ENTRETOISE AXE ARRIERE	/ BACK TILTING PIVOT SPACER
34	59 135	ENS. AXE ARRIERE	/ BACK TILTING PIVOT ASSEMBLY
35	119 214	CAVALIER AXE BASCULEMENT	/ TILTING PIVOT STAPLE
36	118 147	RONDELLE APPUI ARRIERE	/ BACK THRUST WASHER
37	117 959	BUTEE BASCULEMENT	/ TILTING THRUST
38	507 007	SWITCH BASCULEMENT	/ TILTING SAFETY SWITCH
39	117 939	CAISSON	/ CASING
40	118 186	PIED ARRIERE	/ CASING FOOT
41	101 043	CABLE	/ POWER CORD
42	59 167	PASSE-FIL	/ POWER CORD PROTECTOR
43	118 148	DOUILLE PALIER ARRIERE	/ BACK BEARING BUSH
44	118 150	DOUILLE MANCHON	/ SLEEVE BUSH
45	118 149	MANCHON 107mm	/ SLEEVE 107mm
46	118 255	JOINT PLAT DE CHARNIERE	/ HINGE FLAT SEAL
47	59 127	ENS. INTER SECURITE	/ SAFETY SWITCH ASSEMBLY
48	118 254	SUPPORT INTERRUPTEUR	/ SWITCH SUPPORT
49	501 258	INTERRUPTEUR SECURITE	/ SAFETY SWITCH
50	119 208	TUBE DROIT	/ RIGHT LID TUBE
51	119 212	CROCHET DE COUVERCLE	/ LID HOOK
52	59 196	ENS POIGNEE COUVERCLE	/ LID HANDLE ASSEMBLY
53	59 141	ENS. COUVERCLE COMPLET	/ COMPLETE LID ASSEMBLY
54	118 100	GUIDE COUVERCLE	/ LID GUIDE
55	118 573	BOUCHON SOUPLE	/ SOFT LID CUP

<i>Index</i>	<i>Pièce / Part</i>	<i>Désignation</i>	<i>Description</i>
56	118 179	COUVERCLE PLASTIQUE	/ PLASTIC LID
57	119 185	JOINT COUVERCLE	/ LID SEAL
58	59 142	ENS. CUVE	/ BOWL ASSEMBLY
59	118 171	BOUCHON SECURITE	/ SAFETY PLUG
60	59 165	ENS. APPUI DE CUVE	/ BOWL THRUST ASSEMBLY
61	118 595	TALON APPUI CUVE	/ PLASTIC BOWL THRUST
62	118 174	DEFLECTEUR MOTEUR	/ MOTOR DEFLECTOR
63	59 950	ENS. TIGE R25	/ PIN ASSEMBLY
64	118 268	DEMONTE COUTEAU	/ KNIFE TOOL
65	118 297	JUPE BASSE	/ BOTTOM MOTOR COVER
66	118 142	POIGNEE	/ HANDLE
67	59 138	ENS. LEVIER DE SERRAGE	/ LOCKING LEVER ASSEMBLY
68	208 582	GOUPILLE	/ PIN
69	118 166	ECROU REGLAGE BASCUL.	/ TILTING ADJUSTING NUT
70	117 956	BOUCHON	/ PLUG
71	118 144	DOUILLE PALIER AVANT	/ FRONT BEARING BUSH
72	118 143	RONDELLE D'APPUI AVANT	/ FRONT THRUST WASHER
73	59 137	ENS. AXE AVANT	/ FRONT TILTING PIVOT ASSEMBLY
74	117 941	PIEtement	/ STAND
75	117 958	PIED AVANT	/ STAND FOOT
76	59 207	ENS ESSUIE COUVERCLE	/ LID WIPER ASSEMBLY
77	118 227	ECROU ESSUIE COUVERCLE	/ LID WIPER NUT
78	118 228	GUIDE ESSUIE COUVERCLE	/ LID WIPER GUIDE
79	118 222	ESSUIE COUVERCLE	/ LID WIPER
80	118 225	RACLEUR SOUPLE COUVERCLE	/ LID SOFT WIPER
A PLATINE DE PUISSANCE / POWER CIRCUIT BOARD			
M MOTEUR / MOTOR			
Machine	Voltage	A	M
53 037	400/50/3	117 995	303 064
53 067	220/60/3	117 997	303 070
53 068	380/60/3	117 995	303 132
53 069	230/50/3	117 997	303 111



<i>Index</i>	<i>Pièce / Part</i>	<i>Désignation</i>	<i>Description</i>
1	503 973	TRANSFORMATEUR 48V	/ TRANSFORMER 48V
2	500 537	FUSIBLE PRIMAIRE 9/24V	/ PRIMARY FUSE 9/24V
3	503 972	TRANSFORMATEUR 9/24V	/ TRANSFORMER 9/24V
4	503 362	CONTACTEUR COMMUTATION	/ COMMUTATION CONTACTOR
5	504 253	FUSIBLE SECONDAIRE 9V	/ SECONDARY FUSE 9V
6	507 121	FUSIBLE SECONDAIRE 24V	/ SECONDARY FUSE 24V
7	117 980	CARTE CONNECTION	/ CONNECTION CARD
8	117 999	CARTE TIMER	/ TIMER CIRCUIT BOARD
9	117 981	CARTE COMMANDE	/ CONTROL CIRCUIT BOARD
10	59 145	ENS. TABLEAU COMMANDE 6 TOUCHES	/ SWITCH PANEL 6 TOUCH PADS
11	117 982	LIMANDE	/ FLAT LINK CABLE

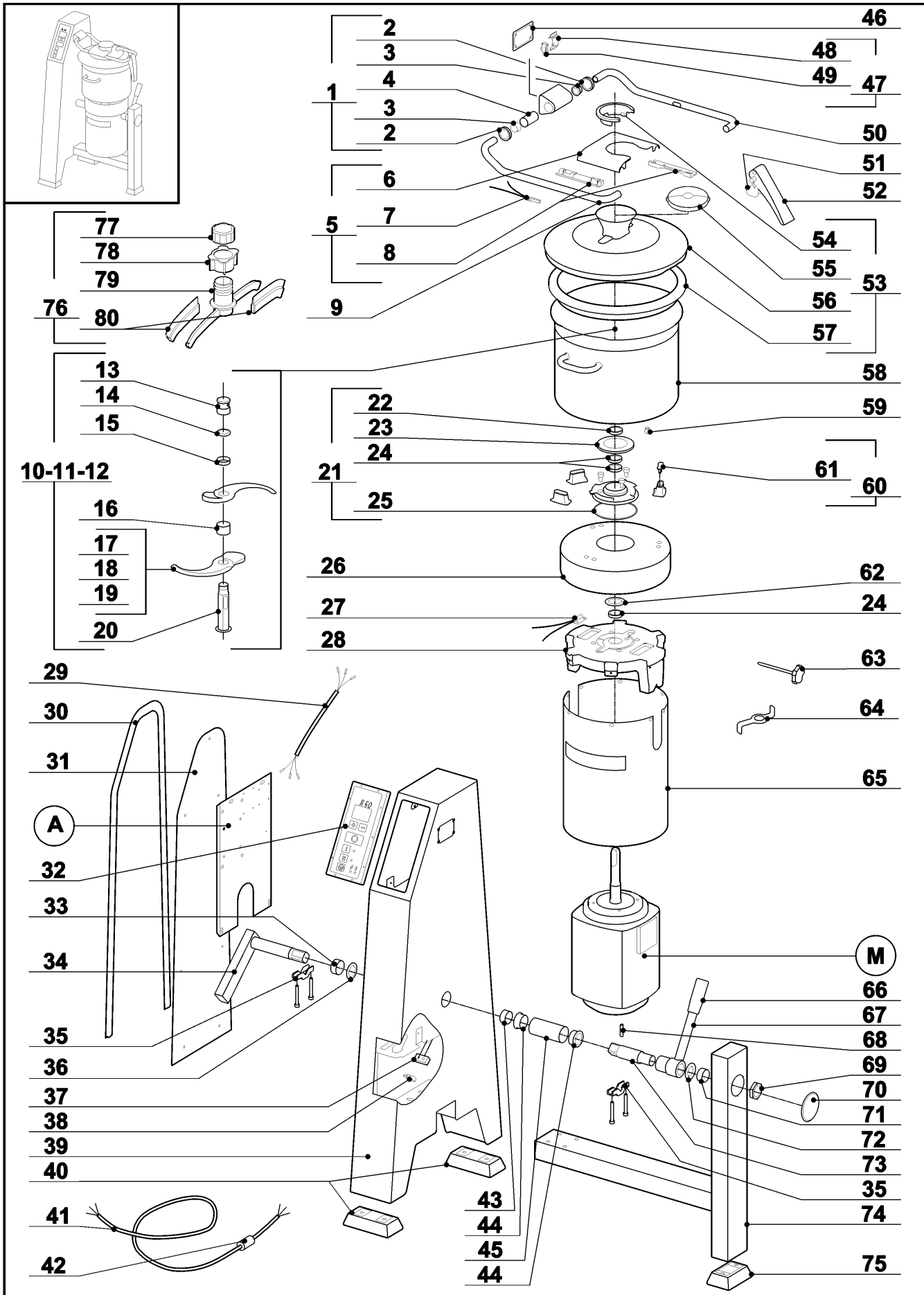
A	PLATINE DE PUISSANCE	/ POWER CIRCUIT BOARD
B	FUSIBLE PRIMAIRE 48V	/ PRIMARY FUSE 48V
C	FUSIBLE DE FREINAGE	/ BREAK FUSE
D	RELAIS THERMIQUE	/ THERMAL RELAY
E	CONTACTEUR COMMUTATION	/ COMMUTATION CONTACTOR
F	CONTACTEUR 1 ^{ère} VITESSE	/ LOW SPEED CONTACTOR
G	CONTACTEUR FREINAGE	/ BREAKING CONTACTOR
H	CONTACTEUR 2 ^{ème} VITESSE	/ HIGHT SPEED CONTACTOR
J	PONT DE DIODES	/ TRANSFORMER

Machine	Voltage	A	B	C	D	E	F
53 037	400/50/3	117 995	503 108	503 356	503 376	503 362	503 362
53 067	220/60/3	117 997	504 258	502 098	503 961	503 969	503 969
53 068	380/60/3	117 995	503 108	503 356	503 376	503 362	503 362
53 069	230/50/3	117 997	504 258	502 098	503 961	503 969	503 969

Machine	Voltage	G	H	J
53 037	400/50/3	503 362	503 362	511 620
53 067	220/60/3	503 688	503 688	511 622
53 068	380/60/3	503 362	503 362	511 620
53 069	230/50/3	503 688	503 688	511 622

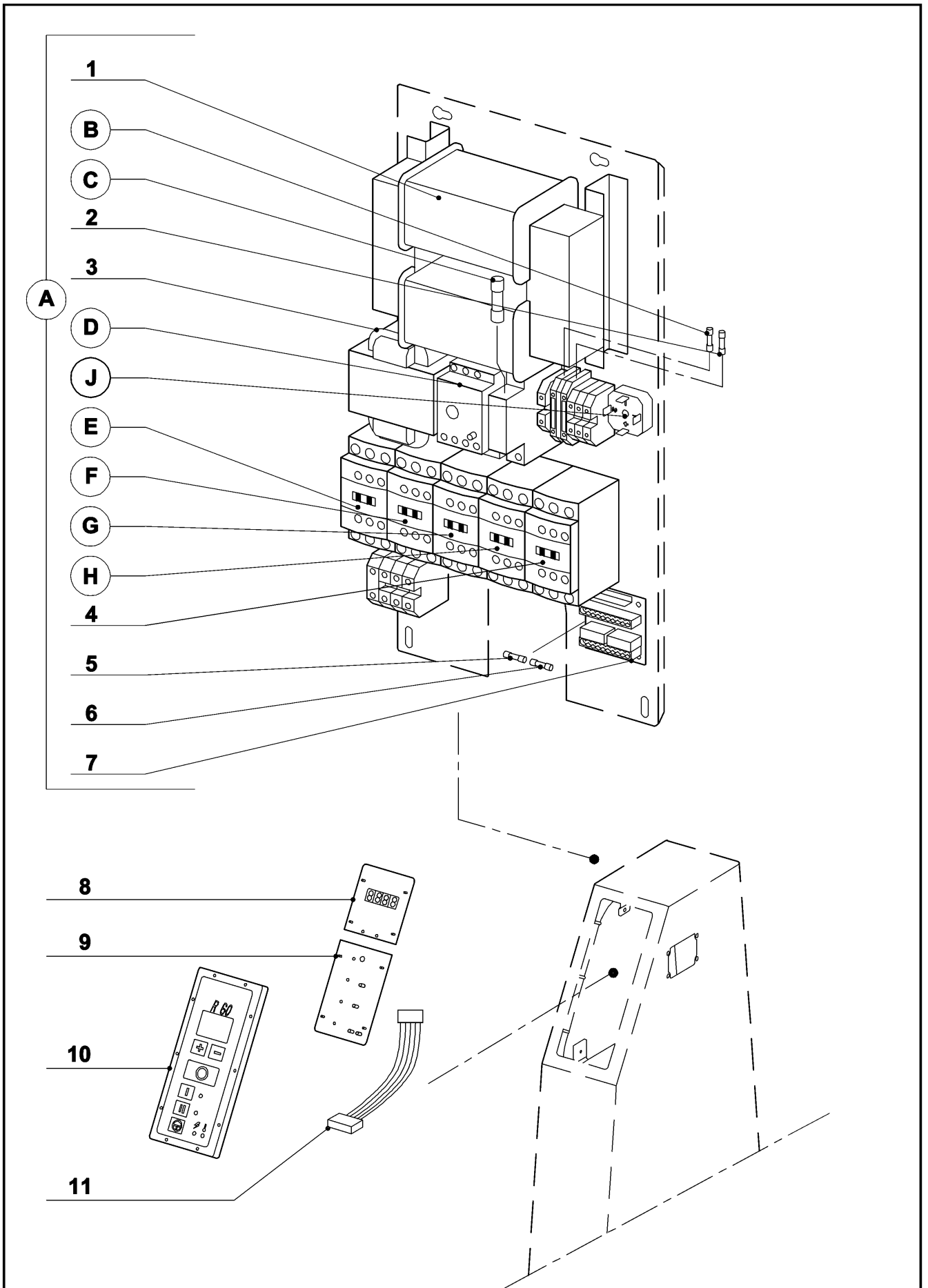
robot coupe®

R 60 10000W



<i>Index</i>	<i>Pièce / Part</i>	<i>Désignation</i>	<i>Description</i>
1	59 128	ENS. CHARNIERE	/ HINGE ASSEMBLY
2	501 424	BAGUE ETANCHE 20X30	/ SEALING RING 20X30
3	118 126	DOUILLE	/ BUSH
4	118 253	CAME BRAS	/ ARM CAM
5	59 130	ENS. SUPPORT COUVERCLE	/ LID SUPPORT ASSEMBLY
6	118 101	SUPPORT COUVERCLE	/ LID SUPPORT
7	118 132	ILS BRAS	/ ARM REED SWITCH
8	59 131	ENS. PINCES BRAS	/ ARM CLIP ASSEMBLY
9	119 211	TUBE GAUCHE	/ LEFT LID TUBE
10	57 091	COUTEAU LISSE	/ STRAIGHT KNIFE
11	57 092	COUTEAU CRANTE	/ COARSE SERR. BLADE
12	57 095	COUTEAU DENTE	/ FINE SERR. BLADE
13	118 206	ECROU COUTEAU	/ BLADE LOCKING NUT
14	118 207	RONDELLE PLASTIQUE	/ PLASTIC WASHER
15	118 204	BAGUE COUTEAU 14mm	/ 14mm BLADE SPACER
16	118 205	BAGUE COUTEAU 43mm	/ 43mm BLADE SPACER
17	117 954	LAME LISSE	/ STRAIGHT BLADE
18	118 290	LAME CRANTEE	/ COARSE SERRATED BLADE
19	118 245	LAME DENTEE	/ FINE SERRATED BLADE
20	117 932	SUPPORT COUTEAU	/ BLADE SUPPORT
21	59 143	ENS. DOUILLE	/ SEALING SOCKET ASSEMBLY
22	59 168	ENS JOINT FACIAL R45/R60	/ R45/R60 SHAFT SEAL ASSEMBLY
23	118 153	JOINT FOND DE CUVE	/ BOWL SEAL
24	507 054	BAGUE A LEVRE	/ LIP SEAL
25	507 050	JOINT TORIQUE	/ O RING
26	118 251	JUPE HAUTE	/ UPPER MOTOR COVER
27	118 157	ILS ENTRETOISE	/ MOTOR SUPPORT REED SWITCH
28	59 198	ENS. ENTRETOISE	/ MOTOR SUPPORT ASSEMBLY
29	118 127	FAISCEAU ILS BRAS	/ SAFETY WIRING
30	118 257	JOINT FACE ARRIERE	/ CASING ACCESS DOOR SEAL
31	117 940	FACE ARRIERE	/ CASING ACCESS DOOR
32	59 151	ENS. CLAVIER	/ CONTROL PANEL ASSEMBLY
33	118 146	ENTRETOISE AXE ARRIERE	/ BACK TILTING PIVOT SPACER
34	59 162	ENS. AXE ARRIERE	/ BACK TILTING PIVOT ASSEMBLY
35	119 214	CAVALIER AXE BASCULEMENT	/ TILTING PIVOT STAPLE
36	118 147	RONDELLE APPUI ARRIERE	/ BACK THRUST WASHER
37	117 959	BUTEE BASCULEMENT	/ TILTING THRUST
38	507 007	SWITCH BASCULEMENT	/ TILTING SAFETY SWITCH
39	117 939	CAISSON	/ CASING
40	118 186	PIED ARRIERE	/ CASING FOOT
41	101 043	CABLE	/ POWER CORD
42	59 167	ENS. PASSE-FIL LAITON	/ POWER CORD PROTECTOR ASSEMBLY
43	118 148	DOUILLE PALIER ARRIERE	/ BACK BEARING BUSH
44	118 150	DOUILLE MANCHON	/ SLEEVE BUSH
45	118 168	MANCHON 132mm	/ SLEEVE 132mm
46	118 255	JOINT PLAT DE CHARNIERE	/ HINGE FLAT SEAL
47	59 127	ENS. INTER SECURITE	/ SAFETY SWITCH ASSEMBLY
48	118 254	SUPPORT INTERRUPTEUR	/ SWITCH SUPPORT
49	501 258	INTERRUPTEUR SECURITE	/ SAFETY SWITCH
50	119 210	TUBE DROIT	/ RIGHT LID TUBE
51	119 212	CROCHET DE COUVERCLE	/ LID HOOK
52	59 196	ENS POIGNEE COUVERCLE	/ LID HANDLE ASSEMBLY
53	59 149	ENS. COUVERCLE COMPLET	/ COMPLETE LID ASSEMBLY
54	118 100	GUIDE COUVERCLE	/ LID GUIDE
55	118 573	BOUCHON SOUPLE	/ SOFT LID CUP

Index	Pièce / Part	Désignation	/	Description
56	118 180	COUVERCLE PLASTIQUE	/	PLASTIC LID
57	119 186	JOINT COUVERCLE	/	LID SEAL
58	59 148	ENS. CUVE	/	BOWL ASSEMBLY
59	118 171	BOUCHON SECURITE	/	SAFETY PLUG
60	59 165	ENS. APPUI DE CUVE	/	BOWL THRUST ASSEMBLY
61	118 595	TALON APPUI CUVE	/	PLASTIC BOWL THRUST
62	118 174	DEFLECTEUR MOTEUR	/	MOTOR DEFLECTOR
63	59 950	ENS. TIGE R25	/	PIN ASSEMBLY
64	118 268	DEMONTE COUTEAU	/	KNIFE TOOL
65	118 298	JUPE BASSE	/	BOTTOM MOTOR COVER
66	118 142	POIGNEE	/	HANDLE
67	59 161	ENS. LEVIER DE SERRAGE	/	LOCKING LEVER ASSEMBLY
68	208 582	GOUPILLE	/	PIN
69	118 166	ECROU REGLAGE BASCUL.	/	TILTING ADJUSTING NUT
70	117 956	BOUCHON	/	PLUG
71	118 144	DOUILLE PALIER AVANT	/	FRONT BEARING BUSH
72	118 143	RONDELLE D'APPUI AVANT	/	FRONT THRUST WASHER
73	59 163	ENS. AXE AVANT	/	FRONT TILTING PIVOT ASSEMBLY
74	118 191	PIEtement	/	STAND
75	117 958	PIED AVANT	/	STAND FOOT
76	59 208	ENS ESSUIE COUVERCLE	/	LID WIPER ASSEMBLY
77	118 227	ECROU ESSUIE COUVERCLE	/	LID WIPER NUT
78	118 228	GUIDE ESSUIE COUVERCLE	/	LID WIPER GUIDE
79	118 223	ESSUIE COUVERCLE	/	LID WIPER
80	118 226	RACLEUR SOUPLE COUVERCLE	/	LID SOFT WIPER
A		PLATINE DE PUISSANCE	/	POWER CIRCUIT BOARD
M		MOTEUR	/	MOTOR
Machine	Voltage	A	M	
54 134	400/50/3	117 995	303 064	
54 135	220/60/3	117 997	303 070	
54 138	380/60/3	117 995	303 132	



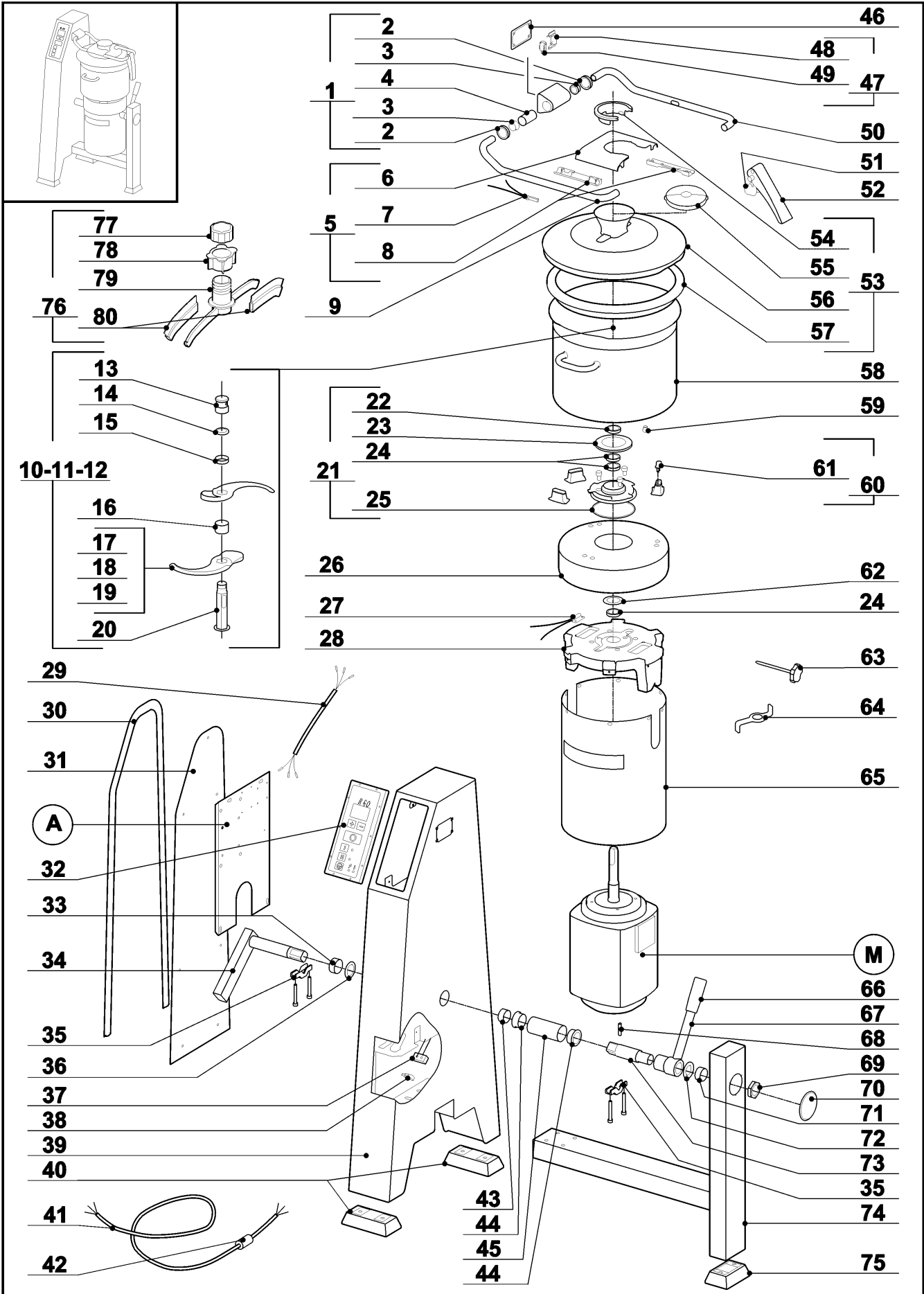
<i>Index</i>	<i>Pièce / Part</i>	<i>Désignation</i>	<i>Description</i>
1	503 973	TRANSFORMATEUR 48V	/ TRANSFORMER 48V
2	500 537	FUSIBLE PRIMAIRE 9/24V	/ PRIMARY FUSE 9/24V
3	503 972	TRANSFORMATEUR 9/24V	/ TRANSFORMER 9/24V
4	503 362	CONTACTEUR COMMUTATION	/ COMMUTATION CONTACTOR
5	504 253	FUSIBLE SECONDAIRE 9V	/ SECONDARY FUSE 9V
6	507 121	FUSIBLE SECONDAIRE 24V	/ SECONDARY FUSE 24V
7	117 980	CARTE CONNECTION	/ CONNECTION CARD
8	117 999	CARTE TIMER	/ TIMER CIRCUIT BOARD
9	117 981	CARTE COMMANDE	/ CONTROL CIRCUIT BOARD
10	59 151	ENS. TABLEAU COMMANDE 6 TOUCHES	/ SWITCH PANEL 6 TOUCH PADS
11	117 982	LIMANDE	/ FLAT LINK CABLE

A	PLATINE DE PUISSANCE	/ POWER CIRCUIT BOARD
B	FUSIBLE PRIMAIRE 48V	/ PRIMARY FUSE 48V
C	FUSIBLE DE FREINAGE	/ BREAK FUSE
D	RELAIS THERMIQUE	/ THERMAL RELAY
E	CONTACTEUR COMMUTATION	/ COMMUTATION CONTACTOR
F	CONTACTEUR 1 ^{ère} VITESSE	/ LOW SPEED CONTACTOR
G	CONTACTEUR FREINAGE	/ BREAKING CONTACTOR
H	CONTACTEUR 2 ^{ème} VITESSE	/ HIGH SPEED CONTACTOR
J	PONT DE DIODES	/ TRANSFORMER

Machine	Voltage	A	B	C	D	E	F
54 134	400/50/3	117 995	503 108	503 356	503 376	503 362	503 362
54 135	220/60/3	117 997	504 258	502 098	503 961	503 969	503 969
54 138	380/60/3	117 995	503 108	503 356	503 376	503 362	503 362
Machine	Voltage	G	H	J			
54 134	400/50/3	503 362	503 362	511 620			
54 135	220/60/3	503 688	503 688	511 622			
54 138	380/60/3	503 362	503 362	511 620			

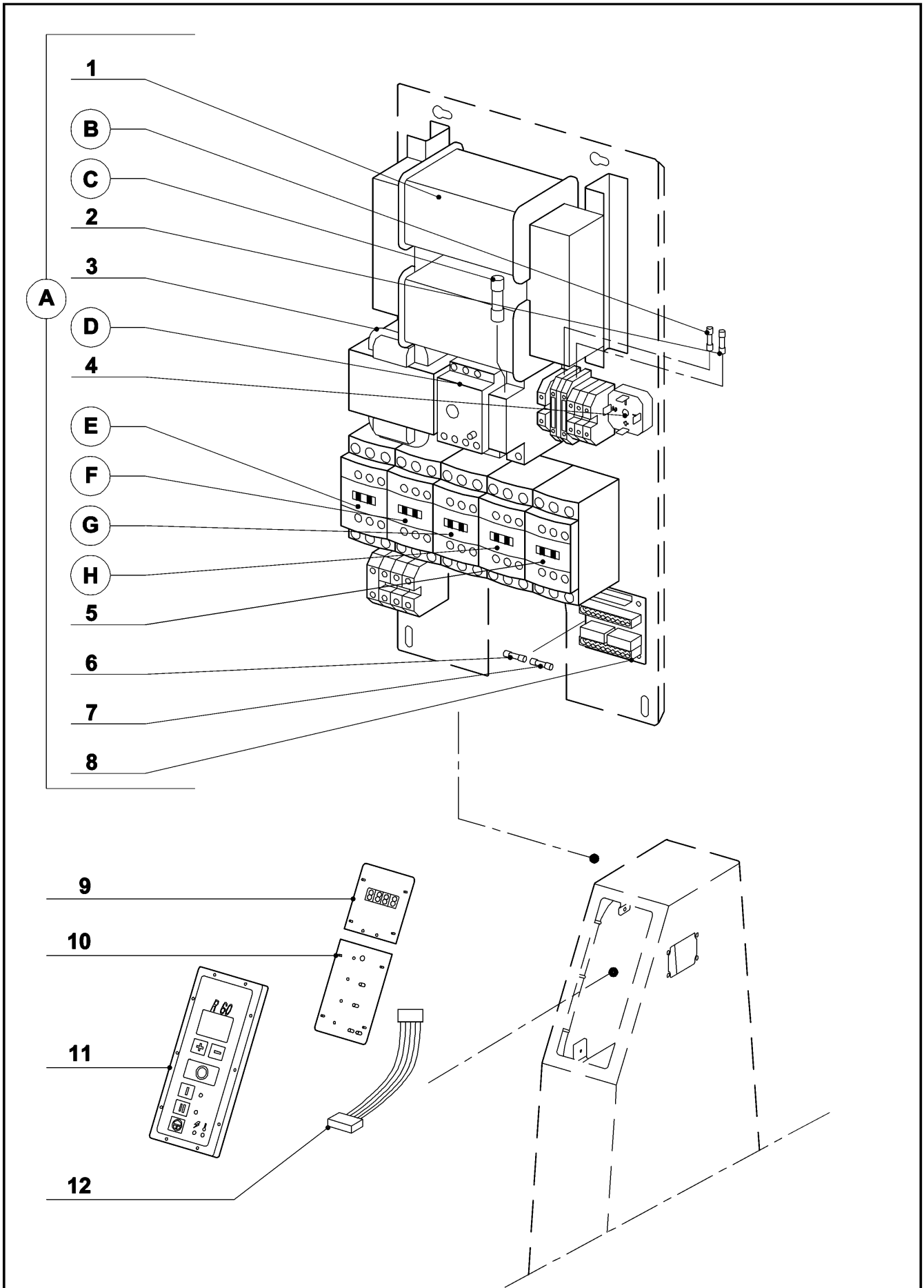
robot coupe®

R 60 11000W



<i>Index</i>	<i>Pièce / Part</i>	<i>Désignation</i>	<i>Description</i>
1	59 128	ENS. CHARNIERE	/ HINGE ASSEMBLY
2	501 424	BAGUE ETANCHE 20X30	/ SEALING RING 20X30
3	118 126	DOUILLE	/ BUSH
4	118 253	CAME BRAS	/ ARM CAM
5	59 130	ENS. SUPPORT COUVERCLE	/ LID SUPPORT ASSEMBLY
6	118 101	SUPPORT COUVERCLE	/ LID SUPPORT
7	118 132	ILS BRAS	/ ARM REED SWITCH
8	59 131	ENS. PINCES BRAS	/ ARM CLIP ASSEMBLY
9	119 211	TUBE GAUCHE	/ LEFT LID TUBE
10	57 091	COUTEAU LISSE	/ STRAIGHT KNIFE
11	57 092	COUTEAU CRANTE	/ COARSE SERR. BLADE
12	57 095	COUTEAU DENTE	/ FINE SERR. BLADE
13	118 206	ECROU COUTEAU	/ BLADE LOCKING NUT
14	118 207	RONDELLE PLASTIQUE	/ PLASTIC WASHER
15	118 204	BAGUE COUTEAU 14mm	/ 14mm BLADE SPACER
16	118 205	BAGUE COUTEAU 43mm	/ 43mm BLADE SPACER
17	117 954	LAME LISSE	/ STRAIGHT BLADE
18	118 290	LAME CRANTEE	/ COARSE SERRATED BLADE
19	118 245	LAME DENTEE	/ FINE SERRATED BLADE
20	117 932	SUPPORT COUTEAU	/ BLADE SUPPORT
21	59 143	ENS. DOUILLE	/ SEALING SOCKET ASSEMBLY
22	59 168	ENS JOINT FACIAL R45/R60	/ R45/R60 SHAFT SEAL ASSEMBLY
23	118 153	JOINT FOND DE CUVE	/ BOWL SEAL
24	507 054	BAGUE A LEVRE	/ LIP SEAL
25	507 050	JOINT TORIQUE	/ O RING
26	118 251	JUPE HAUTE	/ UPPER MOTOR COVER
27	118 157	ILS ENTRETOISE	/ MOTOR SUPPORT REED SWITCH
28	59 198	ENS. ENTRETOISE	/ MOTOR SUPPORT ASSEMBLY
29	118 127	FAISCEAU ILS BRAS	/ SAFETY WIRING
30	118 257	JOINT FACE ARRIERE	/ CASING ACCESS DOOR SEAL
31	117 940	FACE ARRIERE	/ CASING ACCESS DOOR
32	59 151	ENS. CLAVIER	/ CONTROL PANEL ASSEMBLY
33	118 146	ENTRETOISE AXE ARRIERE	/ BACK TILITING PIVOT SPACER
34	59 162	ENS. AXE ARRIERE	/ BACK TILITING PIVOT ASSEMBLY
35	119 214	CAVALIER AXE BASCULEMENT	/ TILTING PIVOT STAPLE
36	118 147	RONDELLE APPUI ARRIERE	/ BACK THRUST WASHER
37	117 959	BUTEE BASCULEMENT	/ TILTING THRUST
38	507 007	SWITCH BASCULEMENT	/ TILTING SAFETY SWITCH
39	117 939	CAISSON	/ CASING
40	118 186	PIED ARRIERE	/ CASING FOOT
41	101 043	CABLE	/ POWER CORD
42	59 167	ENS. PASSE-FIL LAITON	/ POWER CORD PROTECTOR ASSEMBLY
43	118 148	DOUILLE PALIER ARRIERE	/ BACK BEARING BUSH
44	118 150	DOUILLE MANCHON	/ SLEEVE BUSH
45	118 168	MANCHON 132mm	/ SLEEVE 132mm
46	118 255	JOINT PLAT DE CHARNIERE	/ HINGE FLAT SEAL
47	59 127	ENS. INTER SECURITE	/ SAFETY SWITCH ASSEMBLY
48	118 254	SUPPORT INTERRUPTEUR	/ SWITCH SUPPORT
49	501 258	INTERRUPTEUR SECURITE	/ SAFETY SWITCH
50	119 210	TUBE DROIT	/ RIGHT LID TUBE
51	119 212	CROCHET DE COUVERCLE	/ LID HOOK
52	59 196	ENS POIGNEE COUVERCLE	/ LID HANDLE ASSEMBLY
53	59 149	ENS. COUVERCLE COMPLET	/ COMPLETE LID ASSEMBLY
54	118 100	GUIDE COUVERCLE	/ LID GUIDE
55	118 573	BOUCHON SOUPLE	/ SOFT LID CUP

Index	Pièce / Part	Désignation	/	Description
56	118 180	COUVERCLE PLASTIQUE	/	PLASTIC LID
57	119 186	JOINT COUVERCLE	/	LID SEAL
58	59 148	ENS. CUVE	/	BOWL ASSEMBLY
59	118 171	BOUCHON SECURITE	/	SAFETY PLUG
60	59 165	ENS. APPUI DE CUVE	/	BOWL THRUST ASSEMBLY
61	118 595	TALON APPUI CUVE	/	PLASTIC BOWL THRUST
62	118 174	DEFLECTEUR MOTEUR	/	MOTOR DEFLECTOR
63	59 950	ENS. TIGE R25	/	PIN ASSEMBLY
64	118 268	DEMONTE COUVEAU	/	KNIFE TOOL
65	118 298	JUPE BASSE	/	BOTTOM MOTOR COVER
66	118 142	POIGNEE	/	HANDLE
67	59 161	ENS. LEVIER DE SERRAGE	/	LOCKING LEVER ASSEMBLY
68	208 582	GOUPILLE	/	PIN
69	118 166	ECROU REGLAGE BASCUL.	/	TILTING ADJUSTING NUT
70	117 956	BOUCHON	/	PLUG
71	118 144	DOUILLE PALIER AVANT	/	FRONT BEARING BUSH
72	118 143	RONDELLE D'APPUI AVANT	/	FRONT THRUST WASHER
73	59 163	ENS. AXE AVANT	/	FRONT TILTING PIVOT ASSEMBLY
74	118 191	PIEtement	/	STAND
75	117 958	PIED AVANT	/	STAND FOOT
76	59 208	ENS ESSUIE COUVERCLE	/	LID WIPER ASSEMBLY
77	118 227	ECROU ESSUIE COUVERCLE	/	LID WIPER NUT
78	118 228	GUIDE ESSUIE COUVERCLE	/	LID WIPER GUIDE
79	118 223	ESSUIE COUVERCLE	/	LID WIPER
80	118 226	RACLEUR SOUPLE COUVERCLE	/	LID SOFT WIPER
A		PLATINE DE PUISSANCE	/	POWER CIRCUIT BOARD
M		MOTEUR	/	MOTOR
Machine	Voltage	A	M	
54 166	400/50/3	119 180	303 103	
54 167	220/60/3	119 181	303 072	
54 168	380/60/3	119 180	303 137	
54 169	230/50/3	119 181	303 139	



Index	Pièce / Part	Désignation	Description
1	503 973	TRANSFORMATEUR 48V	TRANSFORMER 48V
2	500 537	FUSIBLE PRIMAIRE 9/24V	PRIMARY FUSE 9/24V
3	503 972	TRANSFORMATEUR 9/24V	TRANSFORMER 9/24V
4	511 622	PONTS DE DIODES	TRANSFORMER
5	503 362	CONTACTEUR COMMUTATION	COMMUTATION CONTACTOR
6	504 253	FUSIBLE SECONDAIRE 9V	SECONDARY FUSE 9V
7	507 121	FUSIBLE SECONDAIRE 24V	SECONDARY FUSE 24V
8	117 980	CARTE CONNECTION	CONNECTION CARD
9	117 999	CARTE TIMER	TIMER CIRCUIT BOARD
10	117 981	CARTE COMMANDE	CONTROL CIRCUIT BOARD
11	59 151	ENS. TABLEAU COMMANDE 6 TOUCHES	SWITCH PANEL 6 TOUCH PADS
12	117 982	LIMANDE	FLAT LINK CABLE

A	PLATINE DE PUISSANCE	POWER CIRCUIT BOARD
B	FUSIBLE PRIMAIRE 48V	PRIMARY FUSE 48V
C	FUSIBLE DE FREINAGE	BREAK FUSE
D	RELAIS THERMIQUE	THERMAL RELAY
E	CONTACTEUR COMMUTATION	COMMUTATION CONTACTOR
F	CONTACTEUR 1 ^{ère} VITESSE	LOW SPEED CONTACTOR
G	CONTACTEUR FREINAGE	BREAKING CONTACTOR
H	CONTACTEUR 2 ^{ème} VITESSE	HIGHT SPEED CONTACTOR

Machine	Voltage	A	B	C	D	E	F
54 166	400/50/3	119 180	503 108	503 356	503 376	503 362	503 362
54 167	220/60/3	119 181	504 258	502 098	507 178	503 969	503 969
54 168	380/60/3	119 180	503 108	503 356	503 376	503 362	503 362
54 169	230/50/3	119 181	504 258	502 098	507 178	503 969	503 969

Machine	Voltage	G	H
54 166	400/50/3	503 969	503 969
54 167	220/60/3	503 688	503 688
54 168	380/60/3	503 969	503 969
54 169	230/50/3	503 688	503 688

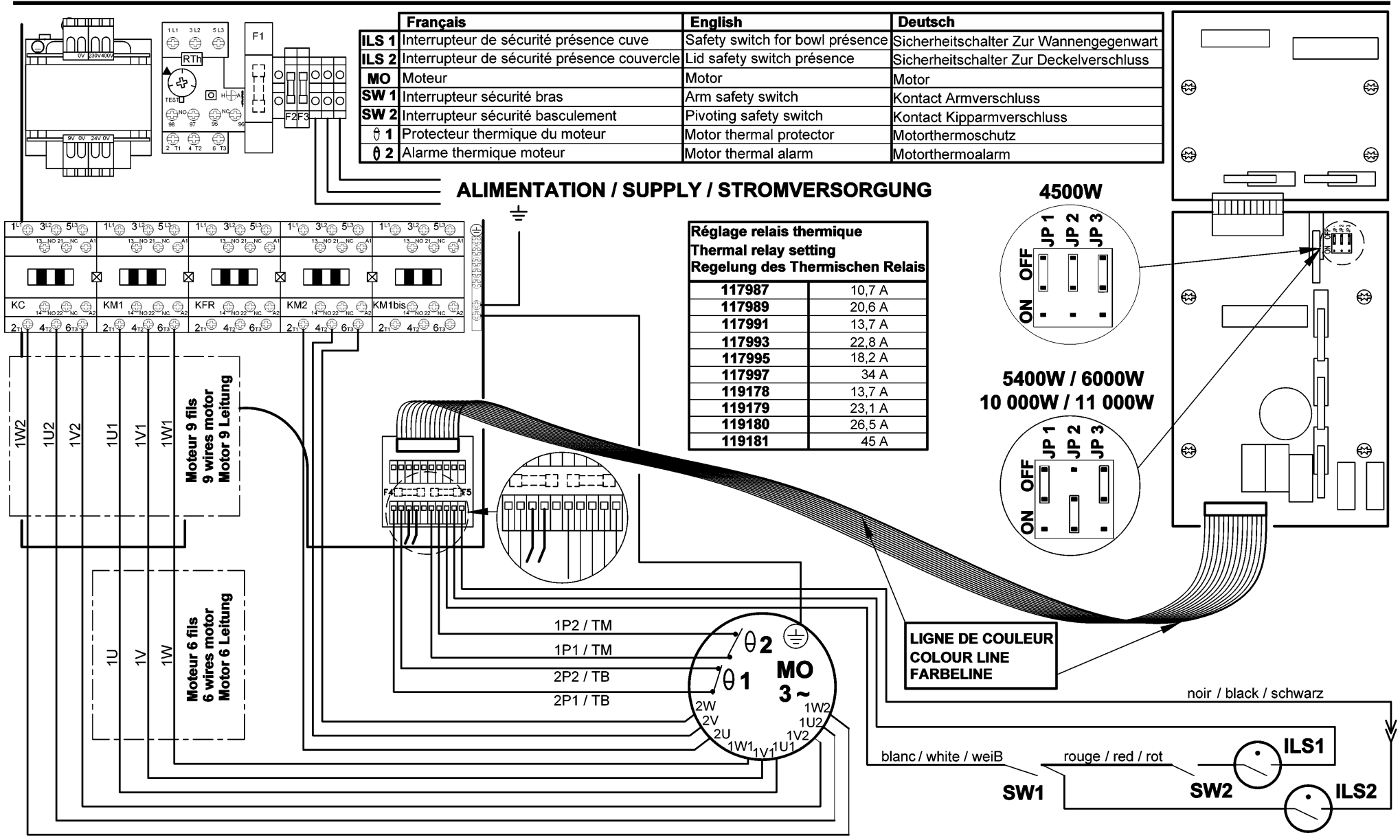
R 23 - BLIXER 23 - R 30 - BLIXER 30 - 4500W / R 30 - BLIXER 30 - 5400W / R 45 - BLIXER 45 - 6000W R 45 - BLIXER 45 - R60 - BLIXER 60 - 10 000W / R 60 - BLIXER 60 - 11000W

SCHEMA ELECTRIQUE

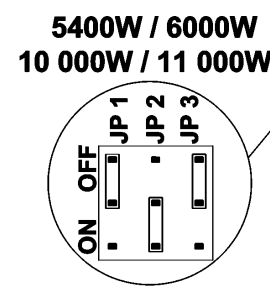
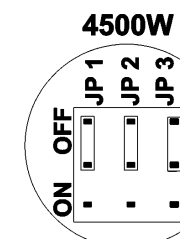
ELECTRIC DIAGRAM

ELEKTRISCHES SCHALTBILD

220V/60Hz - 230V/50Hz 3~
380V/60Hz - 400V/50Hz 3~

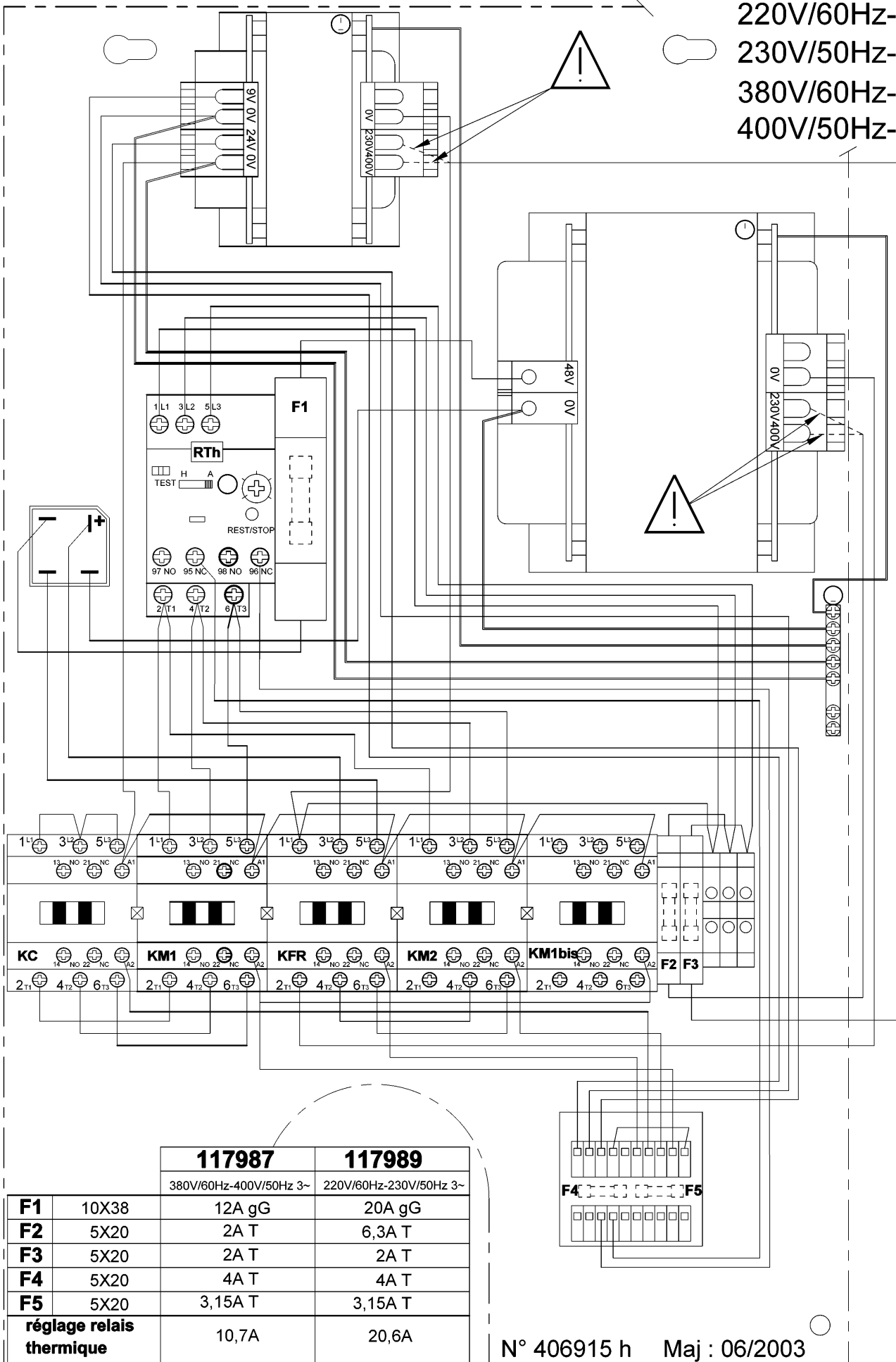


	Français	English	Deutsch
ILS 1	Interrupteur de sécurité présence cuve	Safety switch for bowl présence	Sicherheitschalter Zur Wannengegenwart
ILS 2	Interrupteur de sécurité présence couvercle	Lid safety switch présence	Sicherheitschalter Zur Deckelverschluss
MO	Moteur	Motor	Motor
SW 1	Interrupteur sécurité bras	Arm safety switch	Kontakt Armverschluss
SW 2	Interrupteur sécurité basculement	Pivoting safety switch	Kontakt Kipparmverschluss
⊕ 1	Protecteur thermique du moteur	Motor thermal protector	Motorthermoschutz
⊕ 2	Alarme thermique moteur	Motor thermal alarm	Motorthermoalarm



R 23 - BLIXER 23 - R30 - BLIXER 30 - 4500W

220V/60Hz- 3~
 230V/50Hz- 3~
 380V/60Hz- 3~
 400V/50Hz- 3~

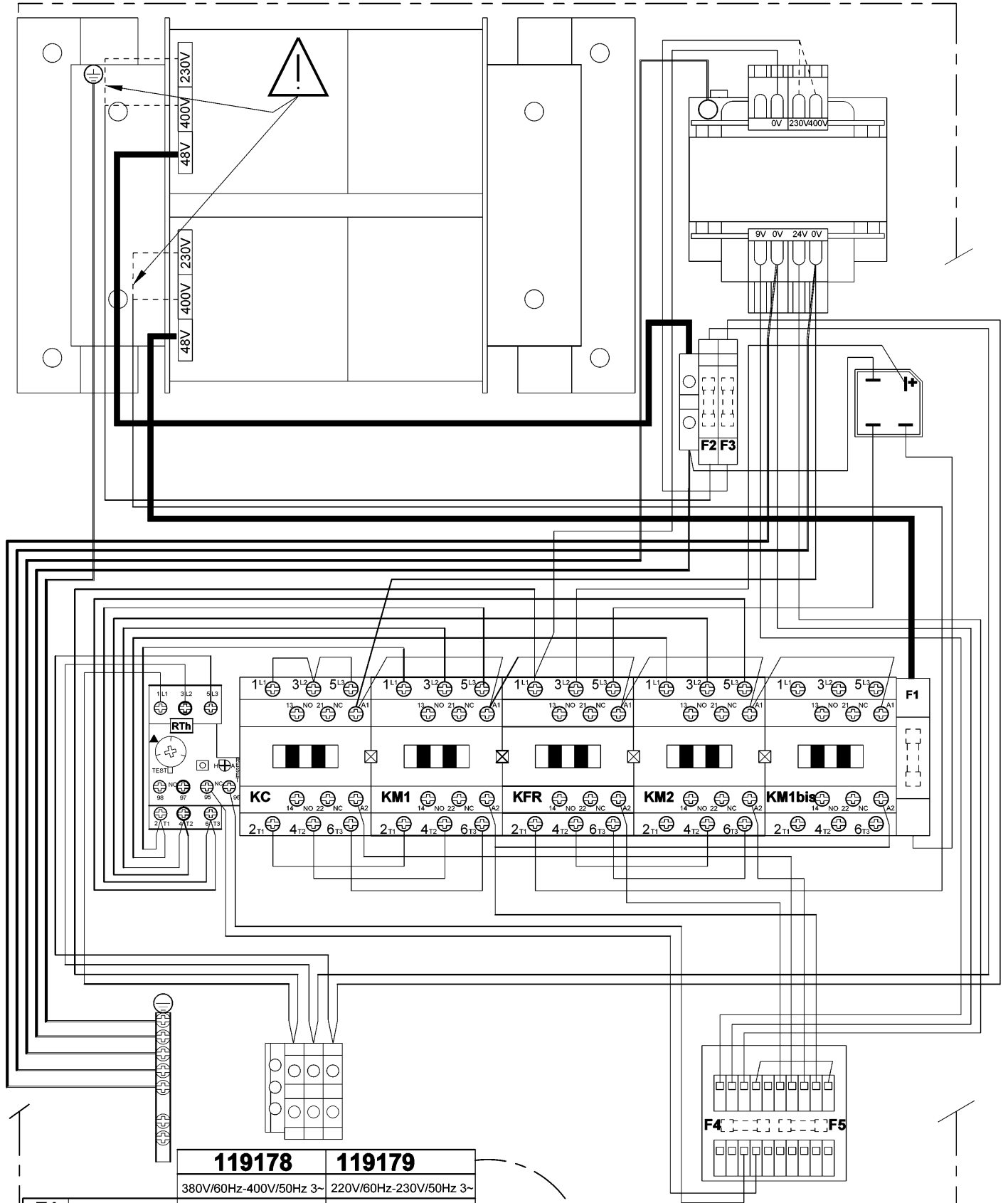


	117987	117989
	380V/60Hz-400V/50Hz 3~	220V/60Hz-230V/50Hz 3~
F1	10X38	12A gG
F2	5X20	2A T
F3	5X20	2A T
F4	5X20	4A T
F5	5X20	3,15A T
réglage relais thermique	10,7A	20,6A

N° 406915 h Maj : 06/2003

R 30 - BLIXER 30 - 5400W

220V/60Hz-230V/50Hz 3~
380V/60Hz-400V/50Hz 3~

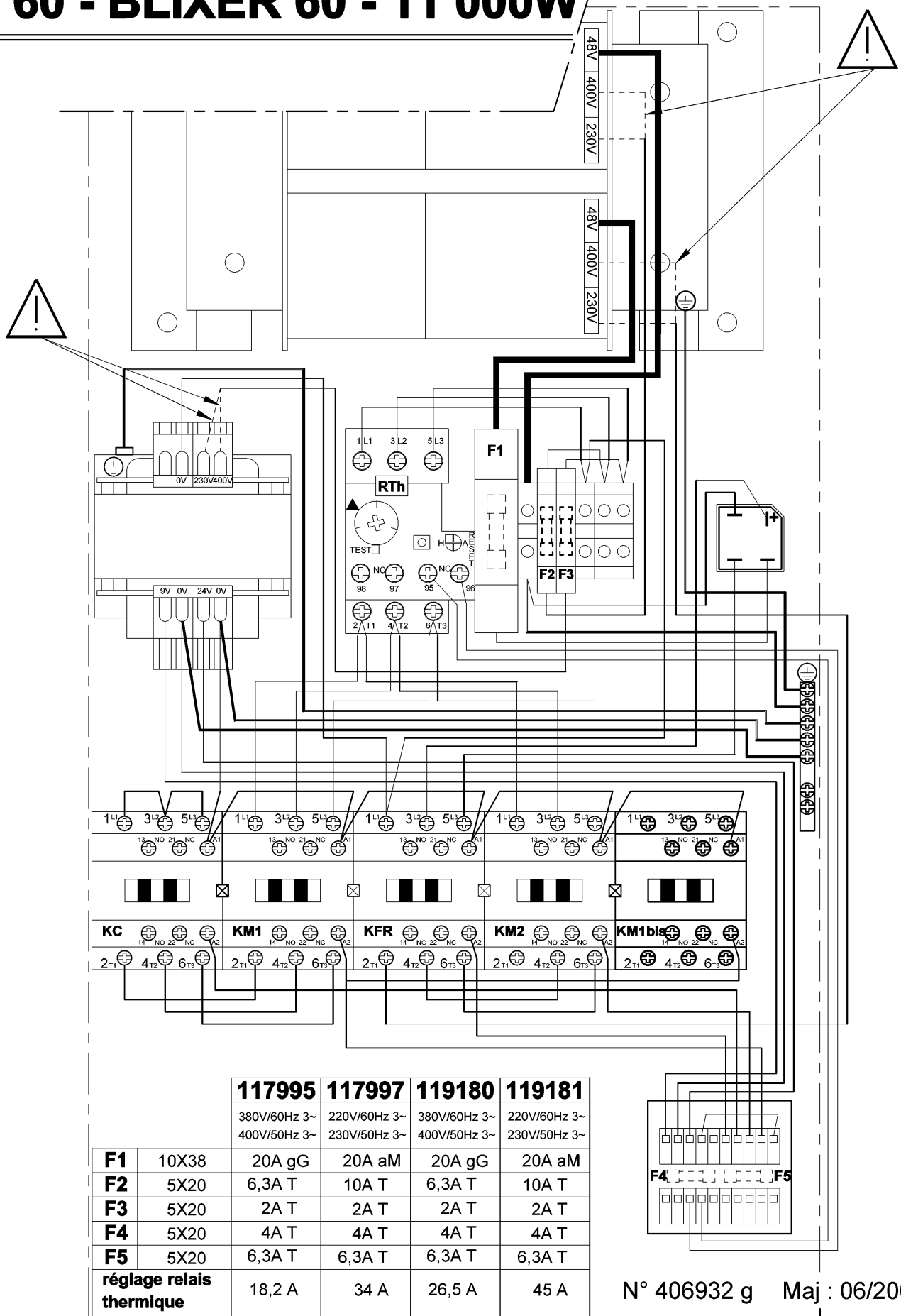


		119178	119179
		380V/60Hz-400V/50Hz 3~	220V/60Hz-230V/50Hz 3~
F1	10X38	20A gG	10A aM
F2	5X20	3,15A T	8A T
F3	5X20	2A T	2A T
F4	5X20	4A T	4A T
F5	5X20	5A T	5A T
réglage relais thermique		13,7 A	23,1 A

N° 407661 a

Maj : 06/2003

R 45 - BLIXER 45 - 10 000W 220V/60Hz-230V/50Hz 3~
R 60 - BLIXER 60 - 10 000W 380V/60Hz-400V/50Hz 3~
R 60 - BLIXER 60 - 11 000W

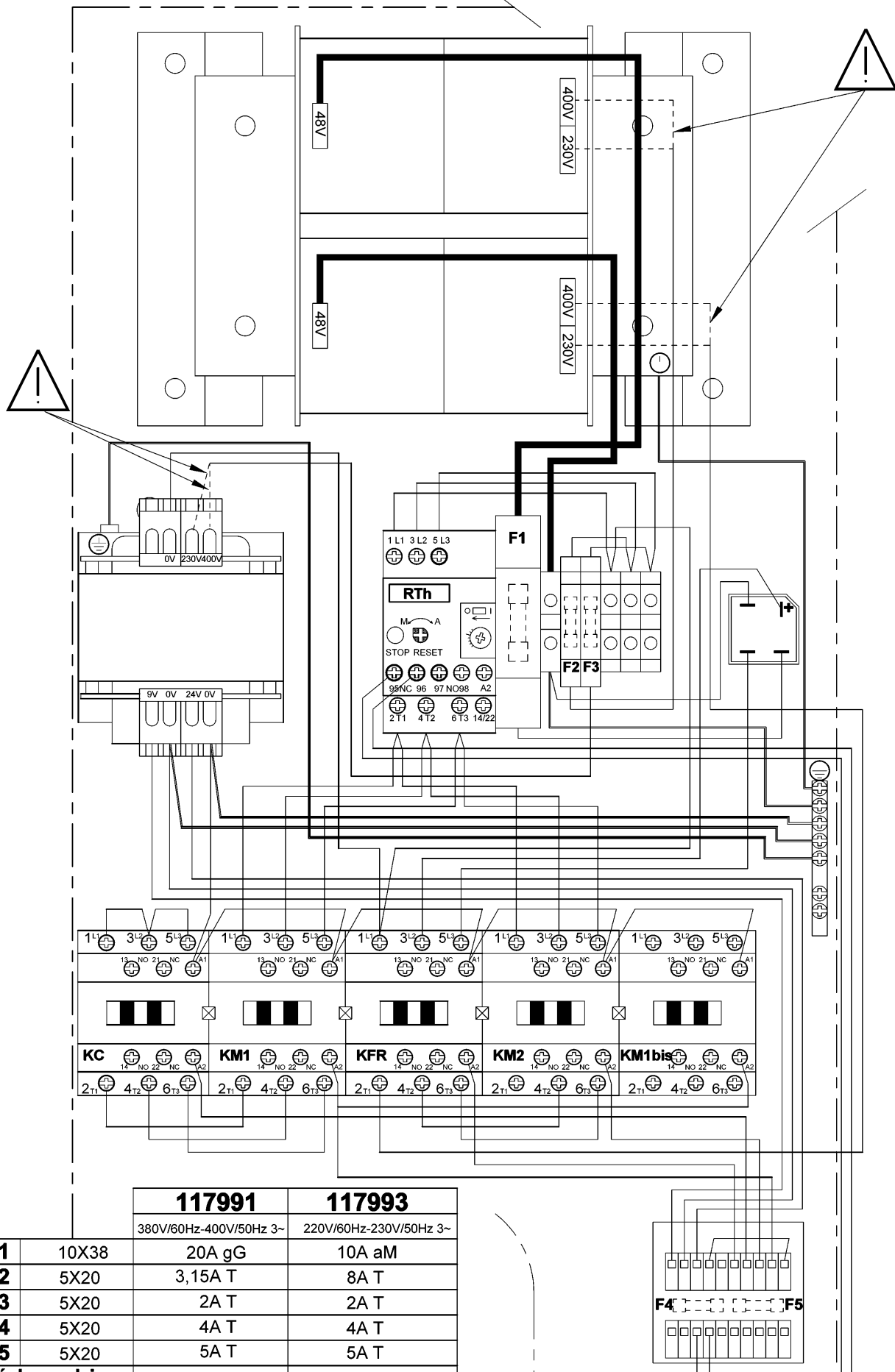


	117995	117997	119180	119181
	380V/60Hz 3~ 400V/50Hz 3~	220V/60Hz 3~ 230V/50Hz 3~	380V/60Hz 3~ 400V/50Hz 3~	220V/60Hz 3~ 230V/50Hz 3~
F1	10X38	20A gG	20A aM	20A gG
F2	5X20	6,3A T	10A T	6,3A T
F3	5X20	2A T	2A T	2A T
F4	5X20	4A T	4A T	4A T
F5	5X20	6,3A T	6,3A T	6,3A T
réglage relais thermique	18,2 A	34 A	26,5 A	45 A

N° 406932 g Maj : 06/2003

R 45 - BLIXER 45 - 6000W

220V/60Hz-230V/50Hz 3~
380V/60Hz-400V/50Hz 3~



	117991	117993
	380V/60Hz-400V/50Hz 3~	220V/60Hz-230V/50Hz 3~

F1	10X38	20A gG	10A aM
F2	5X20	3,15A T	8A T
F3	5X20	2A T	2A T
F4	5X20	4A T	4A T
F5	5X20	5A T	5A T
réglage relais thermique		13,7A	22,8A

N° 406917 g Maj : 06/2003



robot  coupe®

FABRIQUÉ EN FRANCE PAR ROBOT-COUPÉ S.N.C.

**Administration Commerciale France
& Service Après-Vente**

Tél. : 03 85 69 50 00 - Fax : 03 85 69 50 07
12, avenue du Maréchal Leclerc - BP 134
71305 Montceau-en-Bourgogne Cedex
email : france@robot-coupe.fr

**Agence de Service Après-Vente
pour la Région Parisienne**

Tél. : 01 43 98 88 15 - Fax : 01 43 74 36 26
13, rue Clément Viénot
94305 Vincennes Cedex

MADE IN FRANCE BY ROBOT-COUPÉ S.N.C.

Export Department

Tel. : + 33 1 43 98 88 33 - Fax : + 33 1 43 74 36 26
18, rue Clément Viénot - BP 157
94305 Vincennes Cedex - France
<http://www.robot-coupe.com> - email : international@robot-coupe.com

We reserve the right to alter at any time without notice the technical specifications of this appliance.
© All rights reserved for all countries by: ROBOT-COUPÉ S.N.C.