



SELF-CONTAINED CUBER

# PARTS LIST

[HE] [GRAM] [HS]

E1FF

E1FF-D001,D002,D003,D004,D005,D006,D007,D020

B-1 OCT. 2012  
G-1 APR. 2017  
G-2 NOV. 2017

IM-130NE  
IM-130NE-21  
IM-130NE-23  
IM-130WNE  
IM-130WNE-23  
IM-130NE(HS)  
IM-130NE-21(HS)  
IM-130NE-23(HS)

## List of Specifications

IM-130NE	E1FF	Standard
IM-130NE-23	E1FF-D001	23mm ICE of IM-130NE
IM-130WNE	E1FF-D002	Water cooled
IM-130NE-21	E1FF-D003	21mm ICE of IM-130NE
IM-130WNE-23	E1FF-D004	23mm ICE of IM-130WNE
IM-130NE(HS)	E1FF-D005	For Singapore special water valve
IM-130NE-23(HS)	E1FF-D006	23mm ICE for Singapore special water valve
IM-130NE-21(HS)	E1FF-D007	21mm ICE for Singapore special water valve
IM-130NE	E1FF-D020	For GRAM

## AUXILIARY CODE

U - 1

The auxiliary code is the first two characters in the serial number. The first character indicates the production year. Years progress or regress in alphabetical order. The series of letters and skipped letters depend on UL listing, production, and model. See the auxiliary code(s) and corresponding year(s) on the front cover.

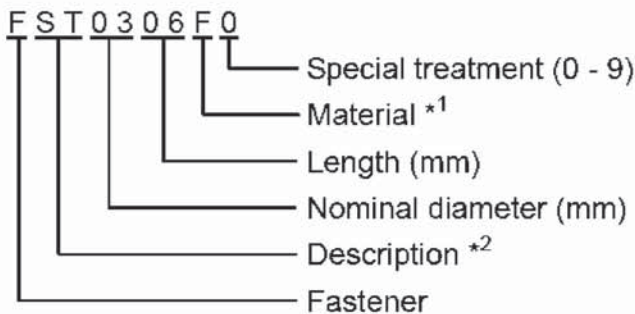
The second character indicates significant part changes within the same year. Base is "1" and this number advances for each change. If there is no significant part change at the turn of the year, this number starts from "0."

## MARKS LOCATED UNDER THE AUXILIARY CODE

- = Part deleted.
- x = Part deleted and replaced by "o" part.
- o = New part in place of "x" part.

## FASTENER PART NUMBER

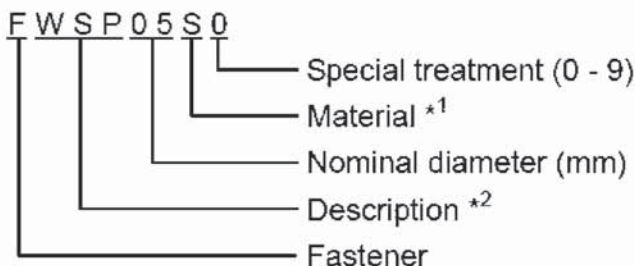
### SCREWS



\*<sup>1</sup> Material

- F: Steel
- S: Austenitic stainless steel
- M: Martensitic stainless steel
- B: Copper alloy
- P: Polycarbonate
- N: Polyamide
- V: PVC
- A: ABS
- X: Polyacetal
- L: Aluminum

### NUTS & WASHERS

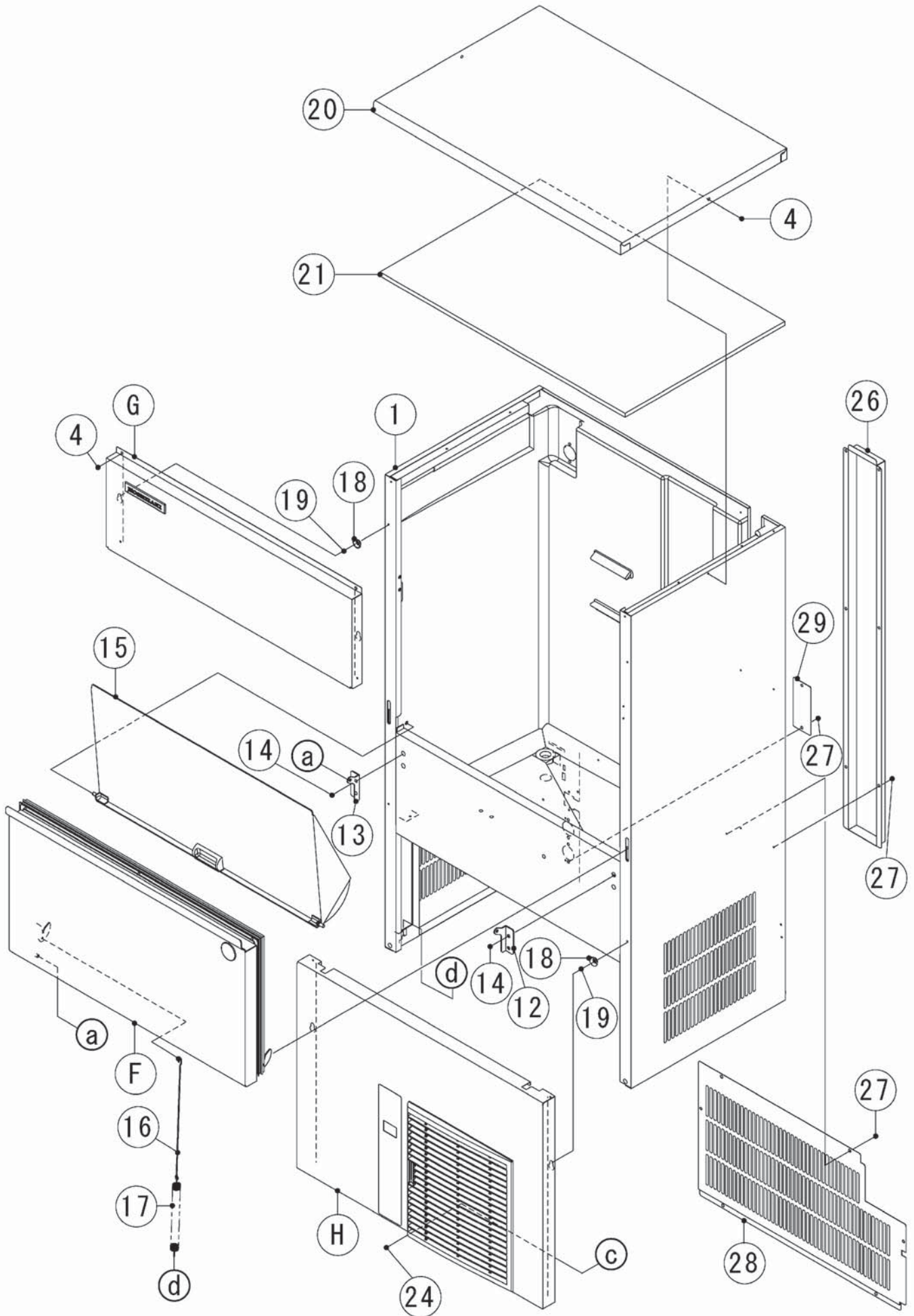


\*<sup>2</sup> Description

- First letter
- S: Machine screw
- T: Tapping screw
- M: Wood screw
- B: Bolt
- W: Washer
- N: Nut

IM-100NE(-21,-23,-C)  
IM-100WNE(-21,-23)  
IM-130NE(-21,-23)  
IM-130WNE(-23)

A. ICE CUBBER ASSY (1/2) (B-1) and later



IM-100NE(-21,-23,-C)

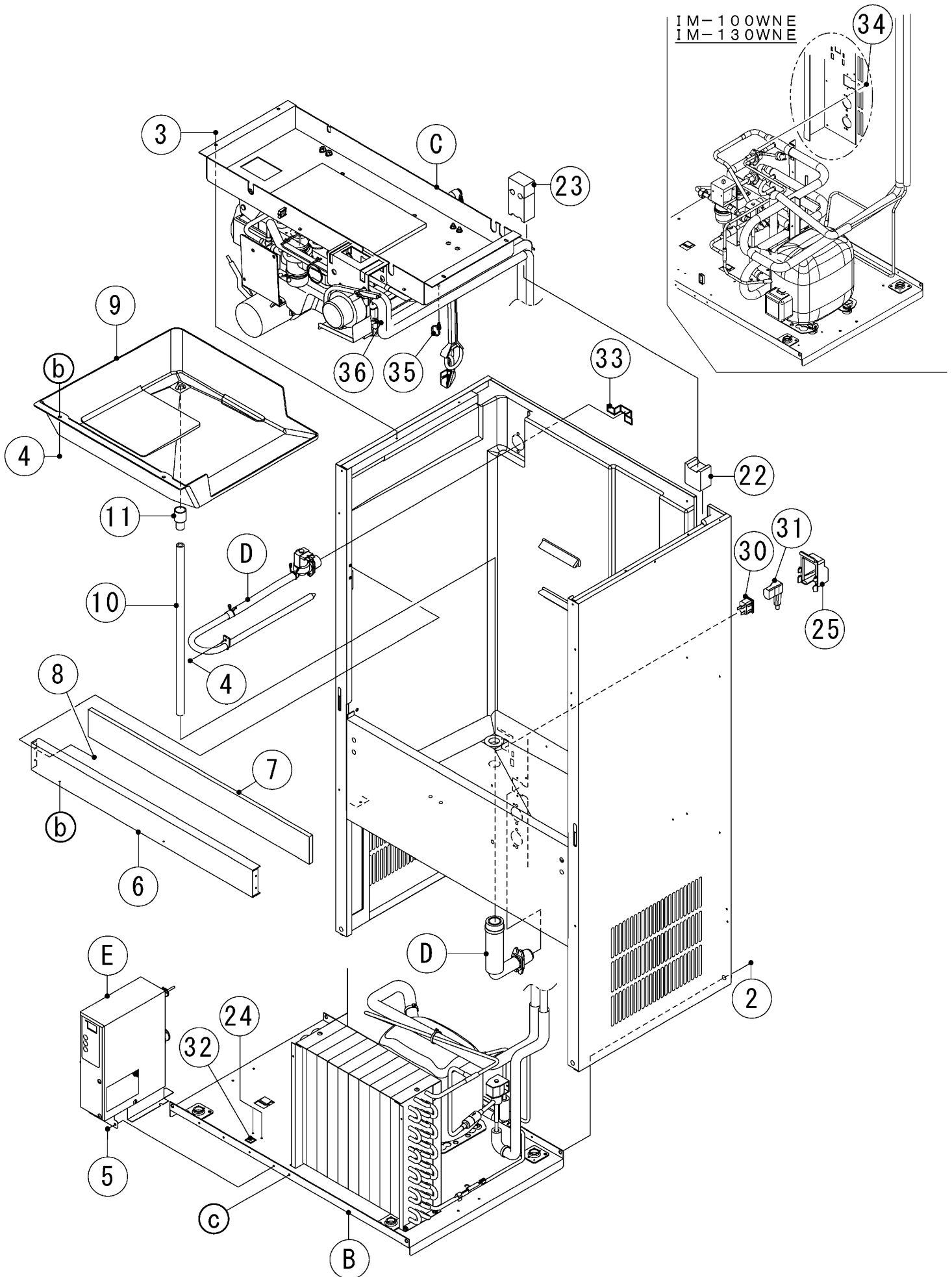
IM-100WNE(-21,-23)

IM-130NE(-21,-23)

IM-130WNE(-23)

A. ICE CUBBER ASSY (2/2)

(B-1) and later



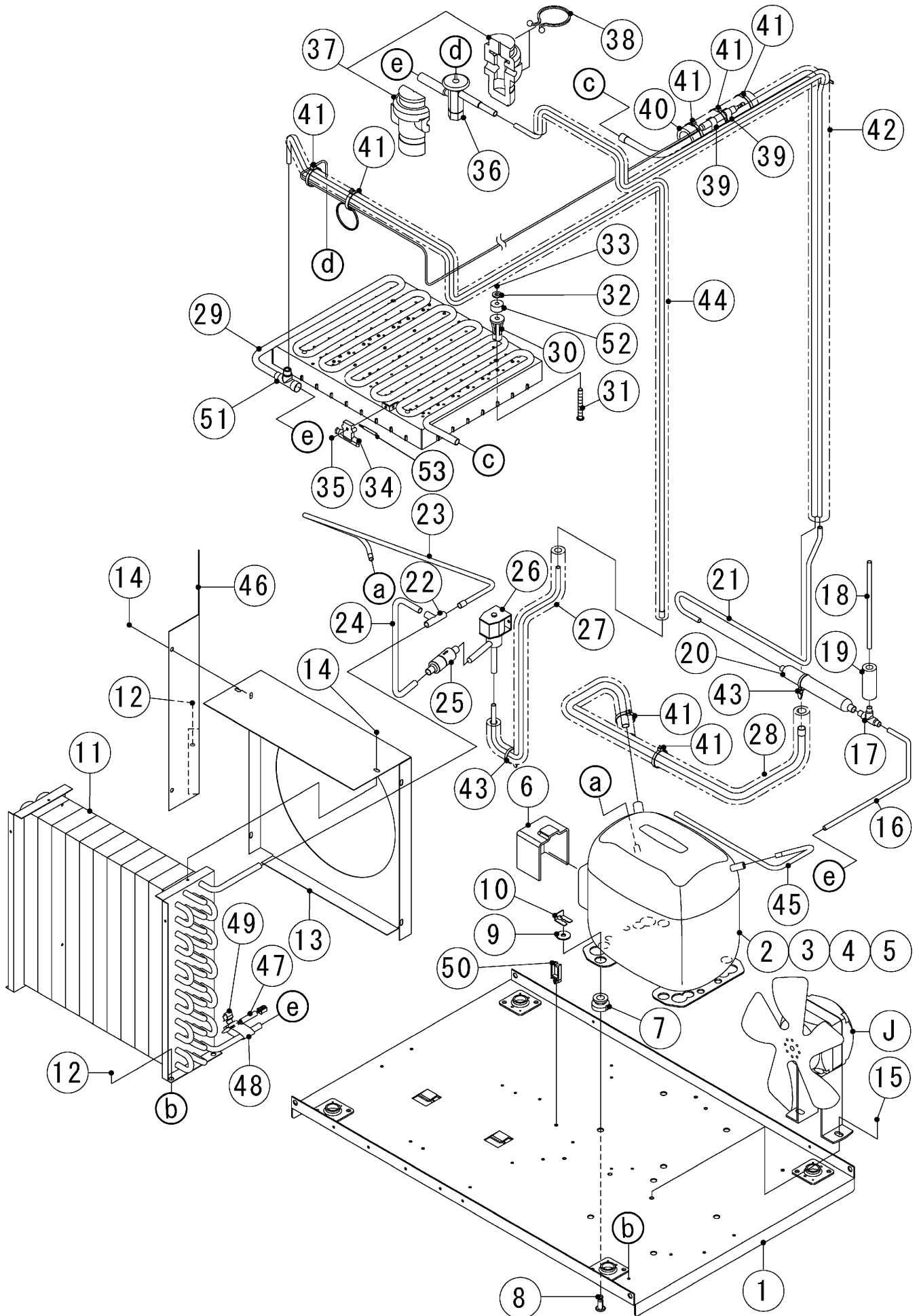
HE,GRAM,HS

MODEL: <b>IM-130NE(-21,-23)</b> <b>IM-130WNE(-23)</b>		TITLE: <b>A.ICE CUBER ASSY</b>						
INDEX NO.	DESCRIPTION	MATERIAL OR MODEL NUMBER	PART NUMBER	REQ'D NUMBER				
				B-1 G-0	G-1	G-2		
B	REFRIGERATION ASSY	(130NE)	1H4999A01	1	1	-		
			1H6011A01	-	-	1		
		(130NE-21,-23)	1H4999A01	1	1	1		
		(130WNE)	1H5165A01	1	1	-		
			1H6012A01	-	-	1		
		(130WNE-23)	1H5165A01	1	1	1		
C	MECHANISM ASSY		1H4992A01	1	1	1		
D	WATER CIRCUIT ASSY		3Y6135A01	1	1	1		
E	CONTROL BOX ASSY	(130NE,130WNE)	2X1252A01	1	1	-		
			2X3408A01	-	-	1		
		(130NE-21,-23) (130WNE-23)	2X1252A01	1	1	1		
F	DOOR ASSY		3Y5436A01	1	1	1		
G	FRONT COVER UPPER ASSY		3Y6139A01	1	1	1		
		(GRAM)	3Y6139A02	1	1	1		
H	FRONT COVER LOWER ASSY		3Y6141A01	1	1	1		
		(130WNE,-23)	3Y6621A01	1	1	1		
1	UNIT BODY		1H4951G01	1	1	1		
2	TAPPING SCREW - HEX		442040-01	4	4	4		
3	TRUSS HEAD MACHINE SCREW		FST0410S0	4	4	4		
4	TRUSS HEAD MACHINE SCREW		FST0408S0	7	7	7		
				9	9	9		
5	FLANGE BOLT (S-TITE)		FTR0408M0	2	2	2		
6	FRONT FRAME		3Y6546M01	1	1	1		
7	INSULATION - FRONT FRAME		4H2687-01	1	1	1		
8	RIVET	SSD42SSBS(t1.6 ~ 3.2)	7170-0002	4	4	4		
9	DRAIN PAN		2H1935-01	1	1	1		
10	DRAIN PIPE		4Y7493P05	1	1	1		
11	DRAIN TUBE		4H2585-01	1	1	1		
12	HINGE (RIGHT)		4H2583-01	1	1	1		
13	HINGE (LEFT)		4H2584-01	1	1	1		
14	HEX HEAD BOLT (SPRING WASHER AND FLAT WASHER)		FBK0616S0	4	4	4		
15	SLOPE		3H2978G01	1	1	1		
16	HOOK		4H2685-01	1	1	1		
17	SPRING		4H0823-01	1	1	1		
18	TAPER COLLAR		4H0171-01	4	4	4		



IM-100NE(-21,-23,-C)  
IM-130NE(-21,-23)

B. REFRIGERATION ASSY (B-1) and later





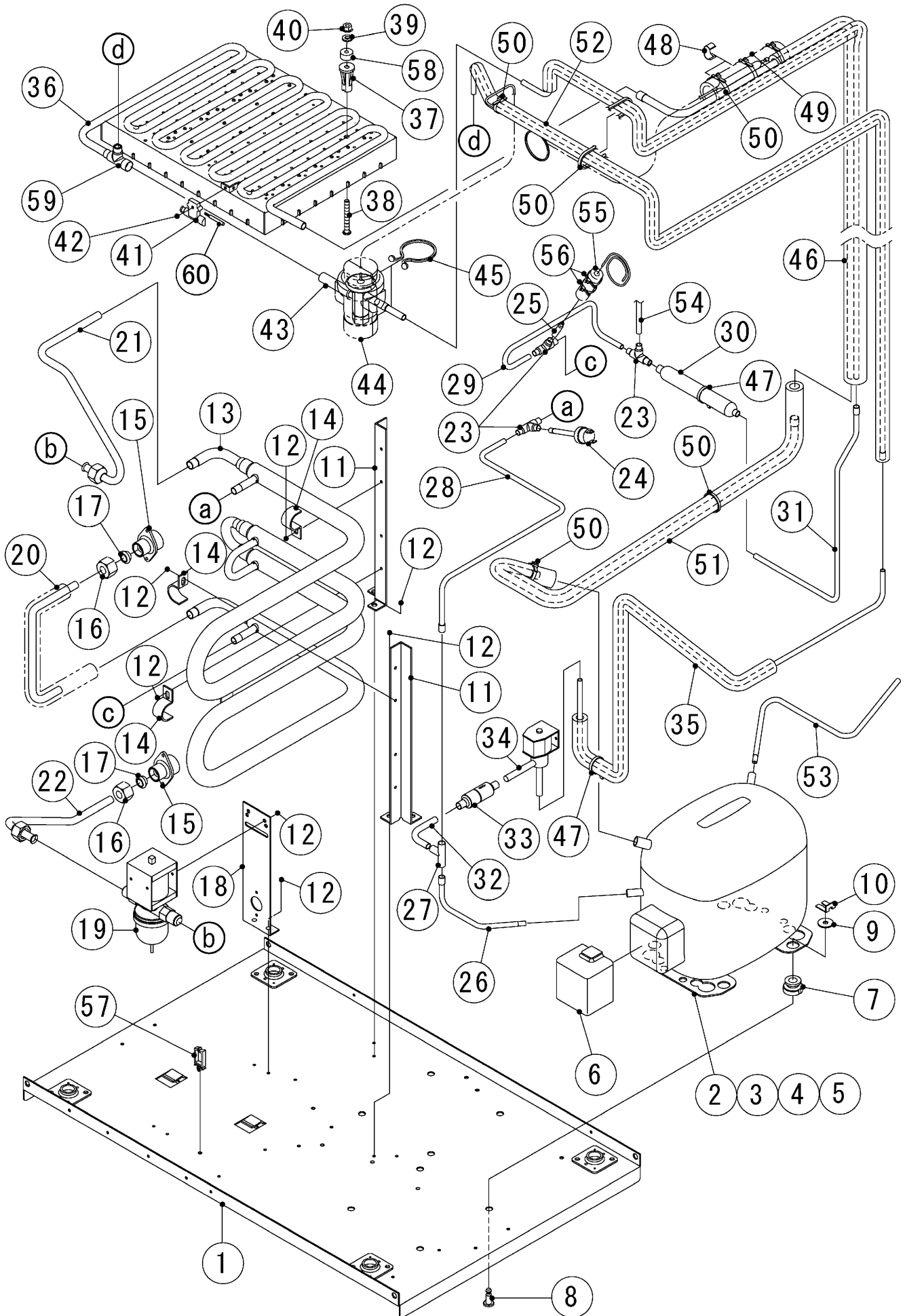
HE,GRAM,HS

MODEL: <b>IM-130NE(-21,-23)</b>				TITLE: <b>B.REFRIGERATION ASSY</b>				
INDEX NO.	DESCRIPTION	MATERIAL OR MODEL NUMBER	PART NUMBER	REQ'D NUMBER				
				B-1 G-0	G-1	G-2		
J	FAN MOTOR ASSY		3Y6055A01	1	1	1		
1	BASE(G)		3Y6034G01	1	1	1		
2	COMPRESSOR		454833-01	1	1	1		
3	STARTING RELAY		452237-01	1	1	1		
4	START CAPACITOR		456350-01	1	1	1		
5	CORD RELIEF		452239-01	1	1	1		
6	COVER		459924-01	1	1	1		
7	RUBBER GROMMET		450897-01	4	4	4		
8	STEEL PIN		452255-01	4	4	4		
9	WASHER CUSHION		450894-01	4	4	4		
10	CLIP		452256-01	4	4	4		
11	CONDENSER		P03383-01	1	1	1		
12	FLANGE BOLT (S-TITE)		FTR0408M0	5	5	5		
13	SHROUD		3Y6035M01	1	1	1		
14	TRUSS HEAD TAPPING SCREW T2		FT20408F0	6	6	6		
15	HEX HEAD BOLT (SPRING WASHER AND FLAT WASHER)		FBK0612F0	2	2	2		
16	PIPE(A) - HIGH SIDE		4Y7464M01	1	1	1		
17	TEE		456655-01	1	1	1		
18	PROCESS TUBE		4Y0273-01	1	1	1		
19	INSULATION TUBE		H71020050	1	1	1		
20	DRIER		458776-01	1	1	1		
21	PIPE(C) - HIGH SIDE		3Y6037M01	1	1	1		
22	TEE		420041-11	1	1	1		
23	PIPE(B) - HIGH SIDE		3Y6036M01	1	1	1		
24	PIPE(A) - HOT GAS		4Y7465M01	1	1	1		
		(130NE-21)	4Y7983M01	1	1	1		
25	STRAINER		P00812-01	1	1	1		
26	HOT GAS VALVE		P04242-01	1	1	1		
27	PIPE(C) - HOT GAS		3Y6038G01	1	1	1		
		(130NE-21)	3Y7063G01	1	1	1		
28	PIPE(B) - LOW SIDE		3Y6039G01	1	1	1		



IM-100WNE(-21,-23)  
IM-130WNE(-23)

B. REFRIGERATION ASSY (B-1) and later



HE,GRAM

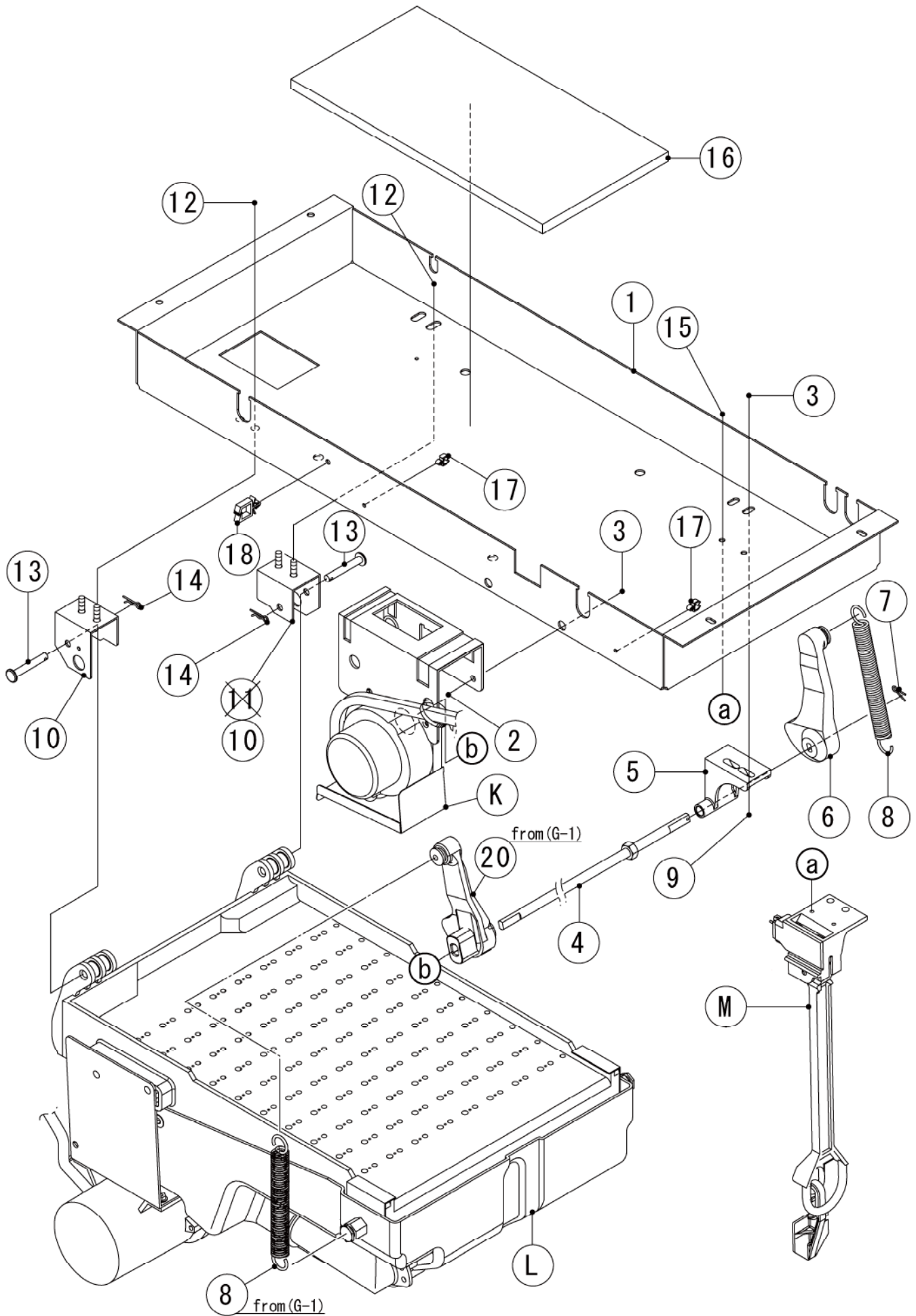
MODEL: <b>IM-130WNE(-23)</b>				TITLE: <b>B.REFRIGERATION ASSY</b>				
INDEX NO.	DESCRIPTION	MATERIAL OR MODEL NUMBER	PART NUMBER	REQ'D NUMBER				
				B-1 G-0	G-1	G-2		
1	BASE(G)		3Y6034G01	1	1	1		
2	COMPRESSOR		454833-01	1	1	1		
3	STARTING RELAY		452237-01	1	1	1		
4	START CAPACITOR		456350-01	1	1	1		
5	CORD RELIEF		452239-01	1	1	1		
6	COVER		459924-01	1	1	1		
7	GROMMET		450897-01	4	4	4		
8	STEEL PIN		452255-01	4	4	4		
9	WASHER CUSHION		450894-01	4	4	4		
10	CLIP		452256-01	4	4	4		
11	BOLT EVAPORATOR LEG		4H0564-01	2	2	2		
12	T2 TRUSS HEAD SCREW		FT20408F0	11	11	11		
13	CONDENSER/W		2H9059G01	1	1	1		
14	CLAMP(B) - CONDENSER		4H0622-01	3	3	3		
15	FITTING(P)		3Y0747-01	2	2	2		
16	NUT (A) - FITTING		415713-03	2	2	2		
17	TAPPERED PACKING		415715-01	2	2	2		
18	BRACKET - WATER REGURATOR		4X5632-01	1	1	1		
19	WATER REGULATOR		P04025-01	1	1	1		
20	PIPE(A) - WATER		4Y7738G01	1	1	1		
21	PIPE(B) - WATER		4Y7740G01	1	1	1		
22	PIPE(C) - WATER		4Y7739G01	1	1	1		
23	TEE		456655-01	3	3	3		
24	PRESSURE SWITCH	R134a,R22,R404A	459863-03	1	1	1		
25	SLEEVE		441322-01	1	1	1		
26	PIPE(A) - HIGH SIDE		4Y7741M01	1	1	1		
27	TEE		420041-11	1	1	1		
28	PIPE(B) - HIGH SIDE		3Y6617M01	1	1	1		
29	PIPE(C) - HIGH SIDE		4Y7742M01	1	1	1		
30	DRIER		458776-01	1	1	1		
31	PIPE(D) - HIGH SIDE		4Y7744M01	1	1	1		
32	PIPE(A) - HOT GAS		4Y7743M01	1	1	1		
33	STRAINER		P00812-01	1	1	1		
34	HOT GAS VALVE		P04242-01	1	1	1		
35	PIPE(B) - HOTGAS		3Y6618G01	1	1	1		



IM-100NE(-21,-23,-C)  
IM-100WNE(-21,-23)  
IM-130NE(-21,-23)  
IM-130WNE(-23)

### C. MECHANISM ASSY

(B-1) and later





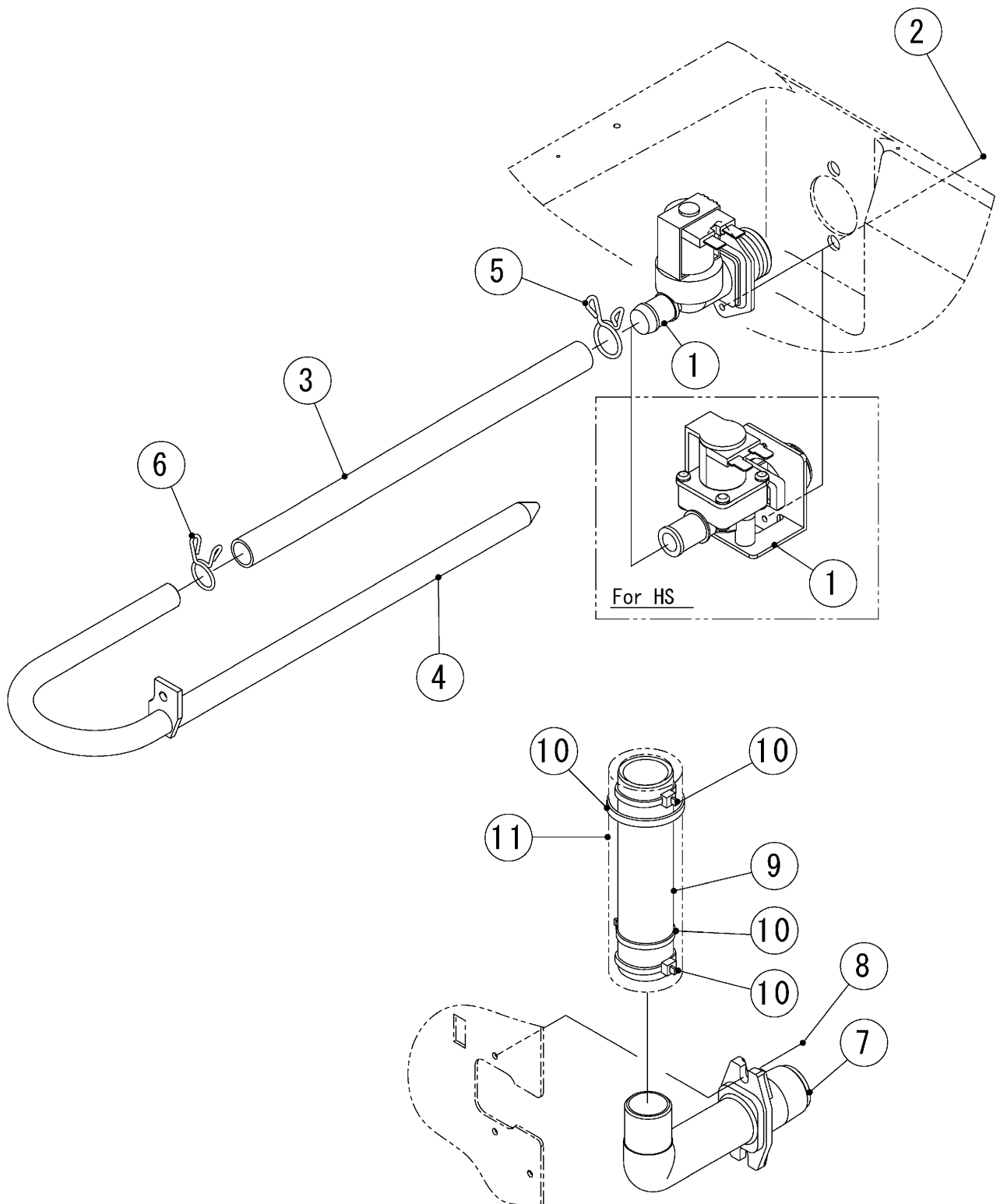
IM-100NE(-21,-23,-C)

IM-100WNE(-21,-23)

IM-130NE(-21,-23)

IM-130WNE(-23) D. WATER CIRCUIT ASSY

(B-1) and later







IM-100NE(-21,-23,-C)

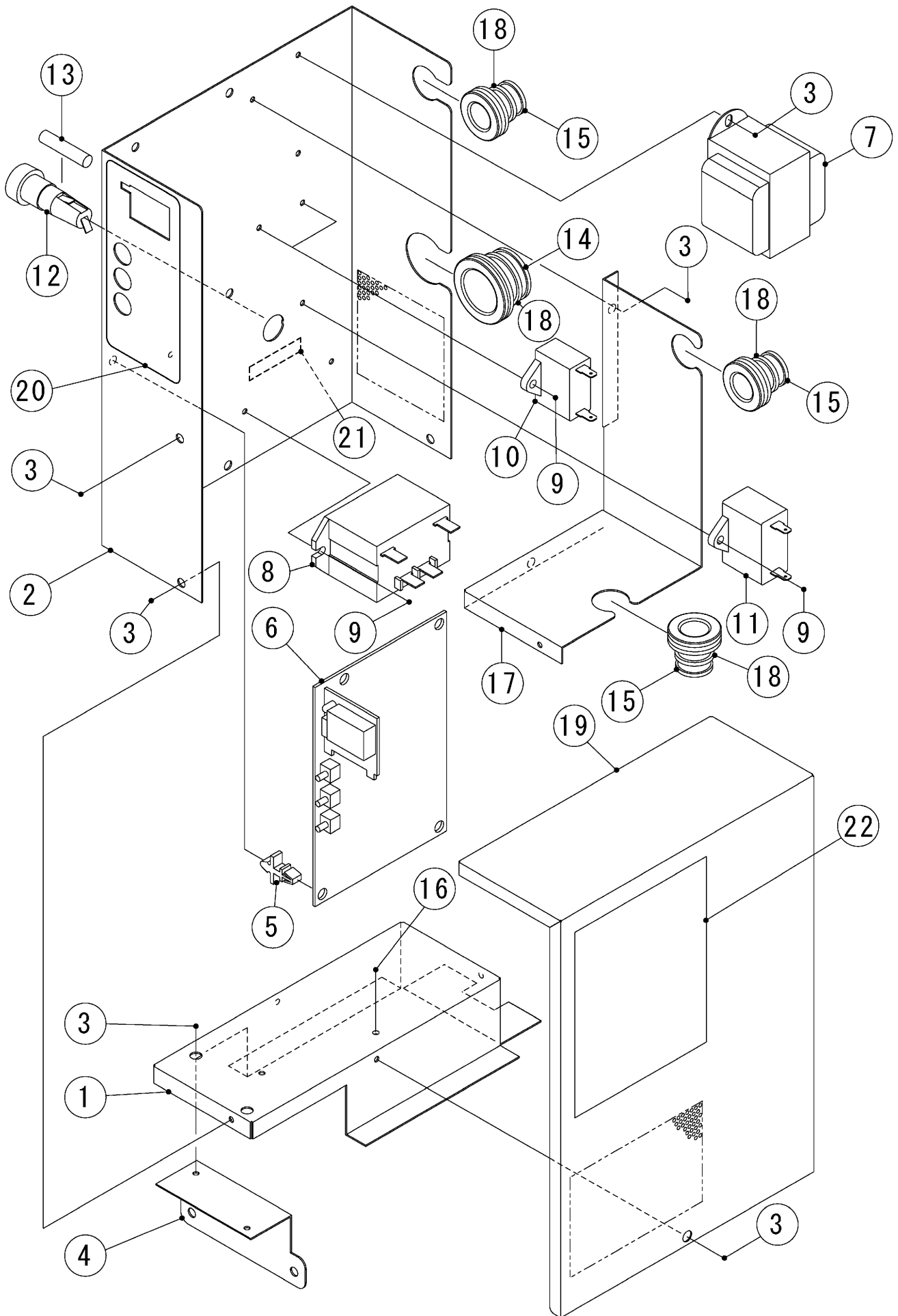
IM-100WNE(-21,-23)

IM-130NE(-21,-23)

IM-130WNE(-23)

### E. CONTROL BOX ASSY

(B-1) and later

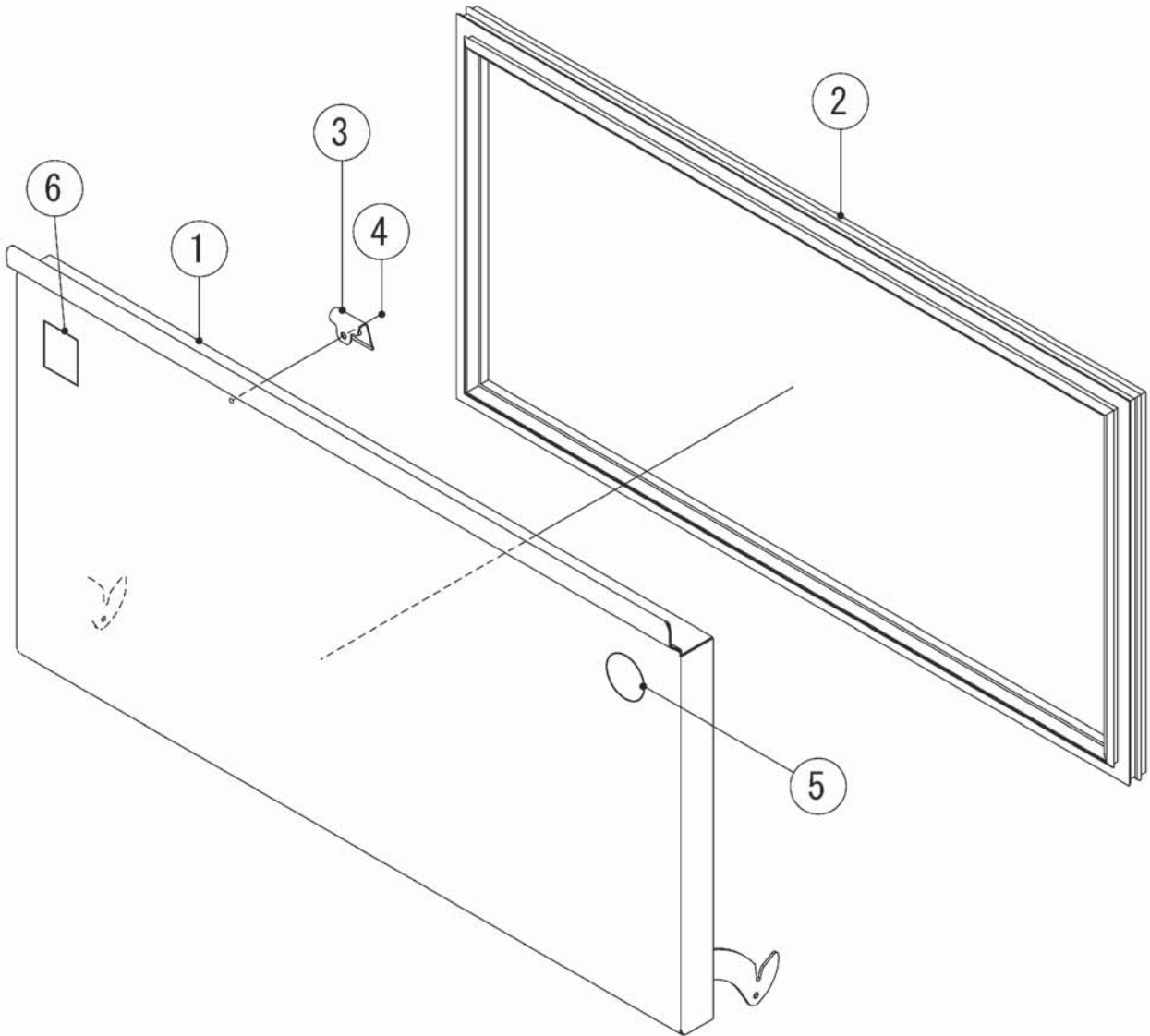




IM-100NE(-21,-23,-C)  
IM-100WNE(-21,-23)  
IM-130NE(-21,-23)  
IM-130WNE(-23)

### F. DOOR ASSY

(B-1) and later





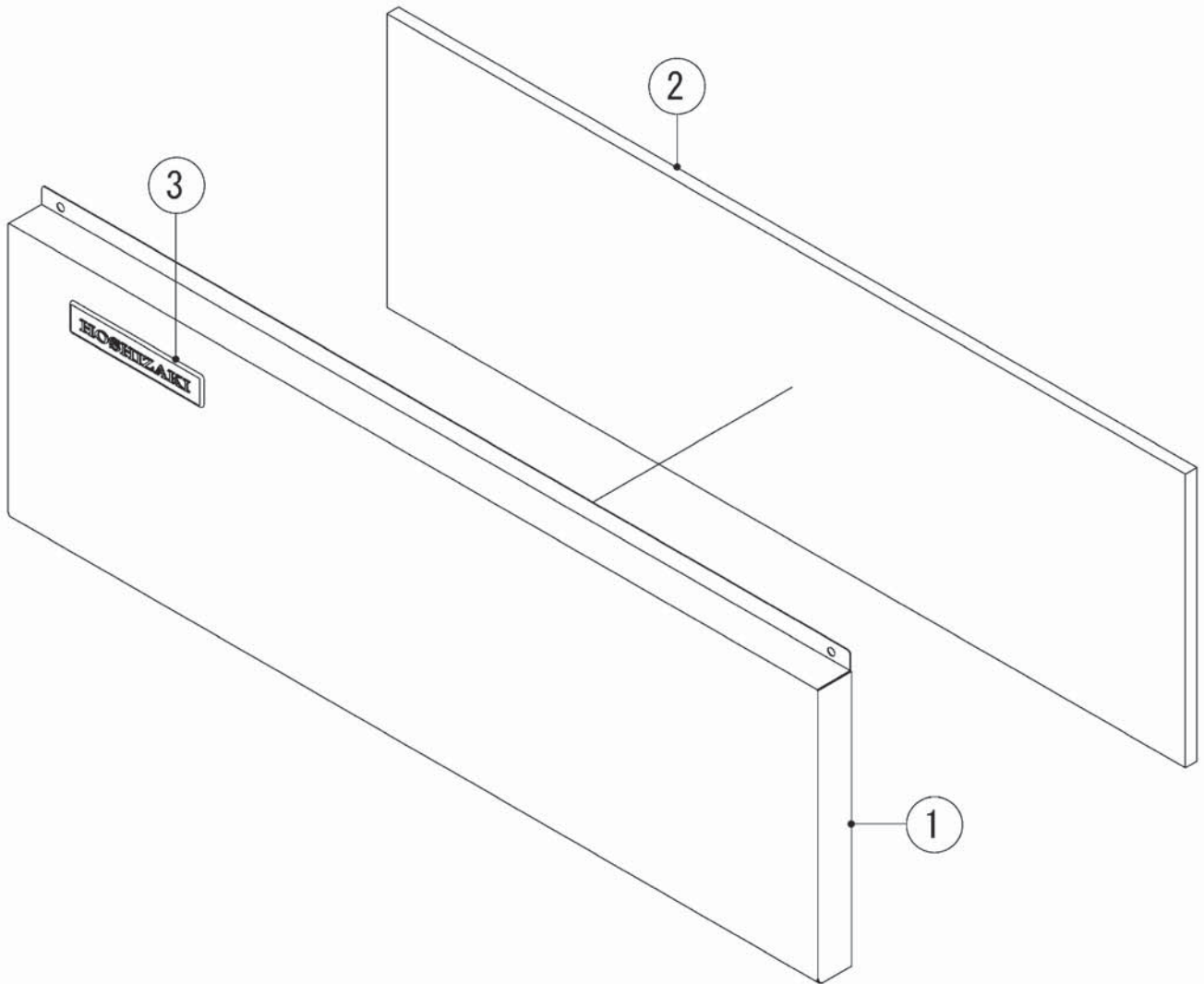
IM-100NE(-21,-23,-C)

IM-100WNE(-21,-23)

IM-130NE(-21,-23)

IM-130WNE(-23) **G. FRONT COVER UPPER ASSY** (B-1) and later

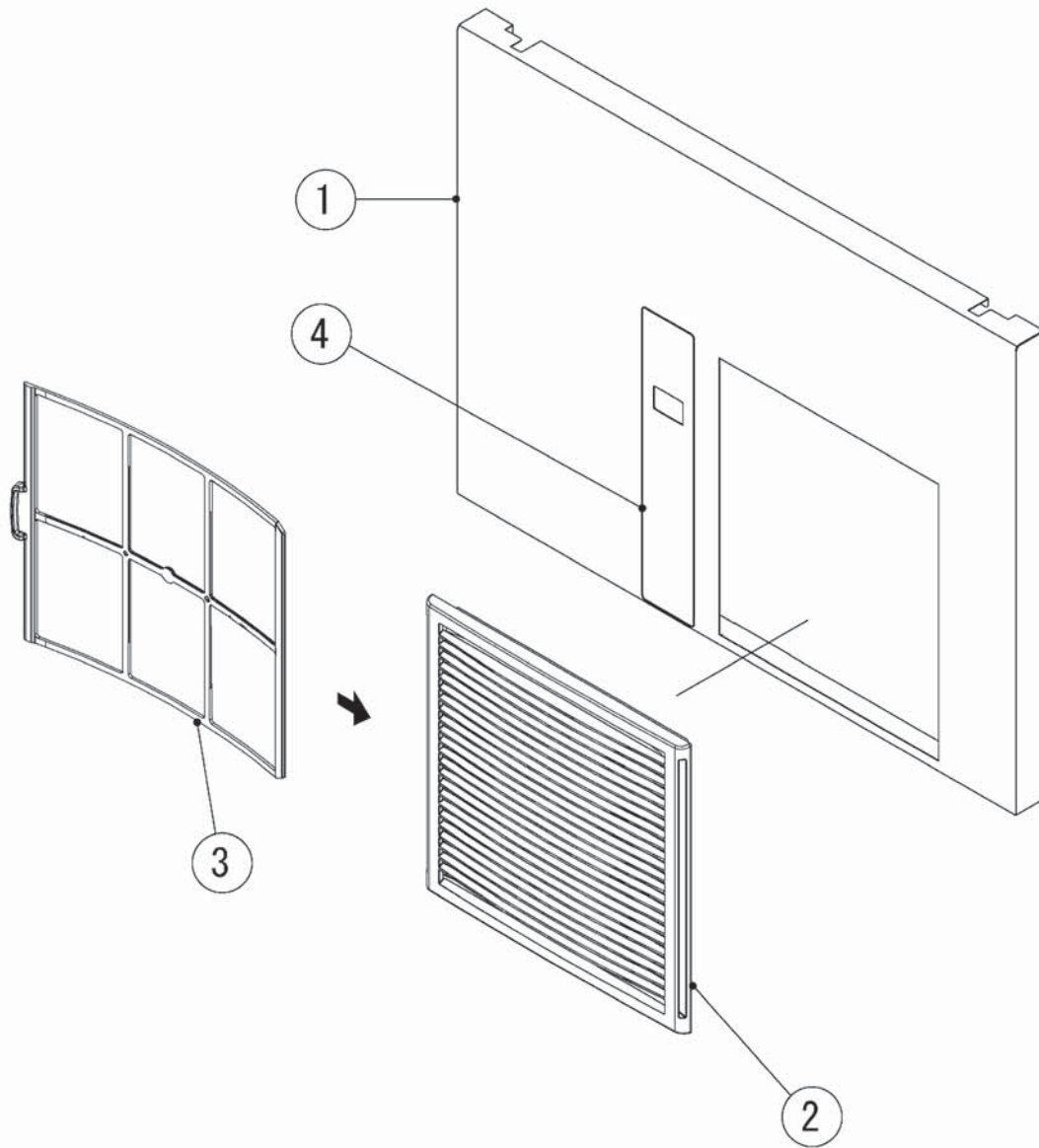
---





IM-100NE(-21,-23,-C)  
IM-100WNE(-21,-23)  
IM-130NE(-21,-23)  
IM-130WNE(-23)

H. FRONT COVER LOWER ASSY (B-1) and later



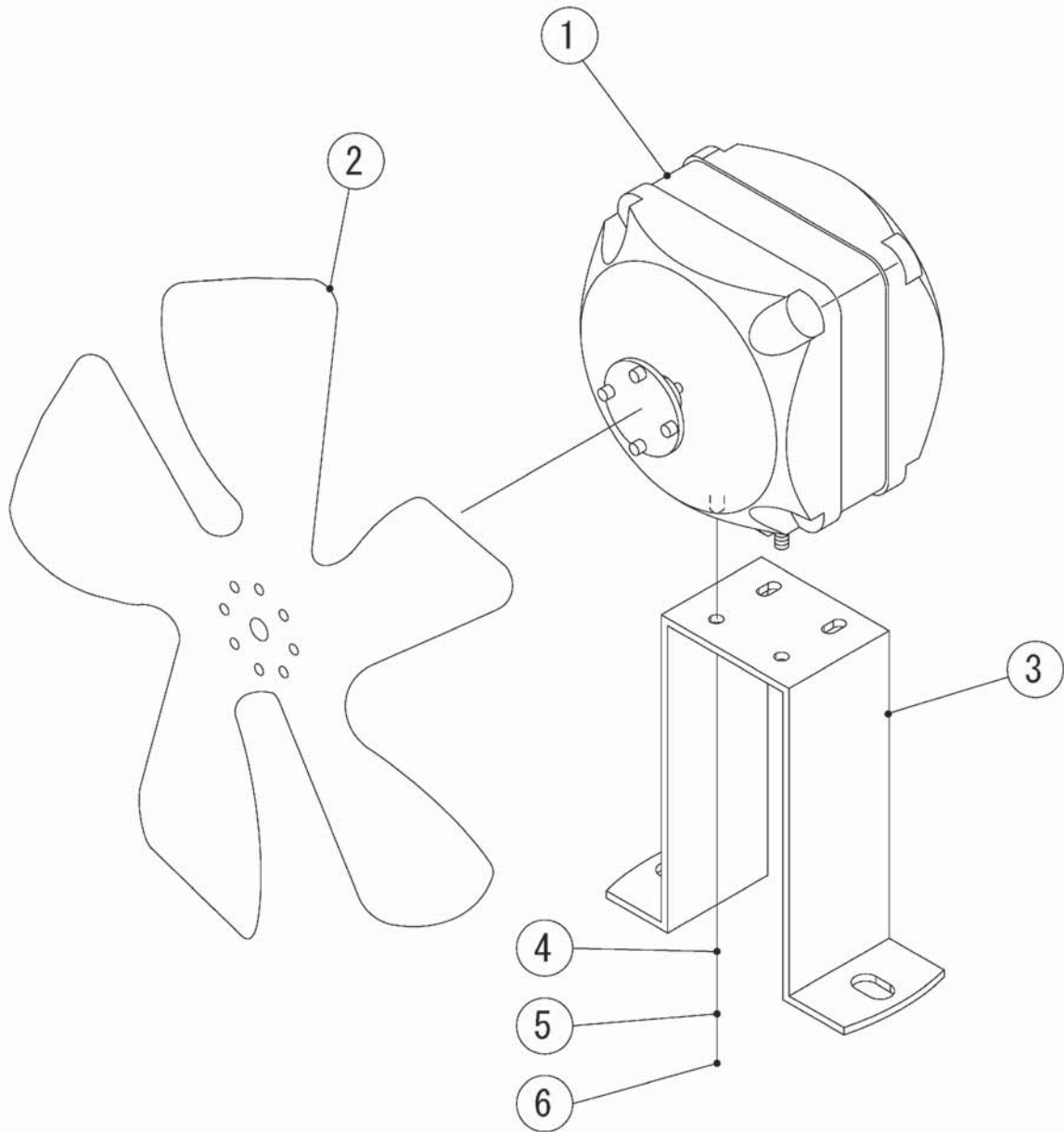




IM-100NE(-21,-23,-C)  
IM-100WNE(-21,-23)  
IM-130NE(-21,-23)  
IM-130WNE(-23)

J. FAN MOTOR ASSY

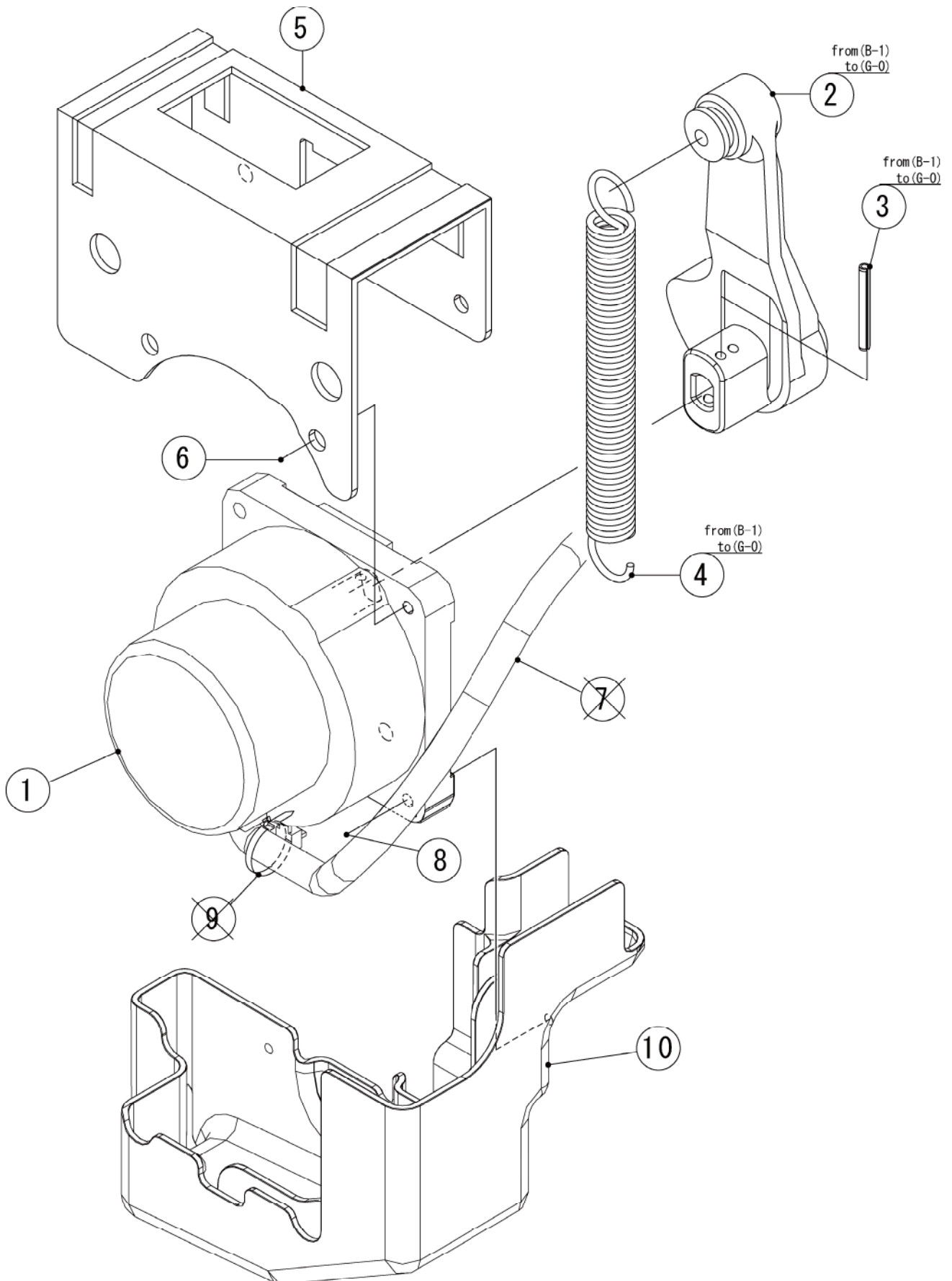
(B-1) and later





IM-100NE(-21,-23,-C)  
IM-100WNE(-21,-23)  
IM-130NE(-21,-23)  
IM-130WNE(-23)

K. ACTUATOR MOTOR ASSY (B-1) and later

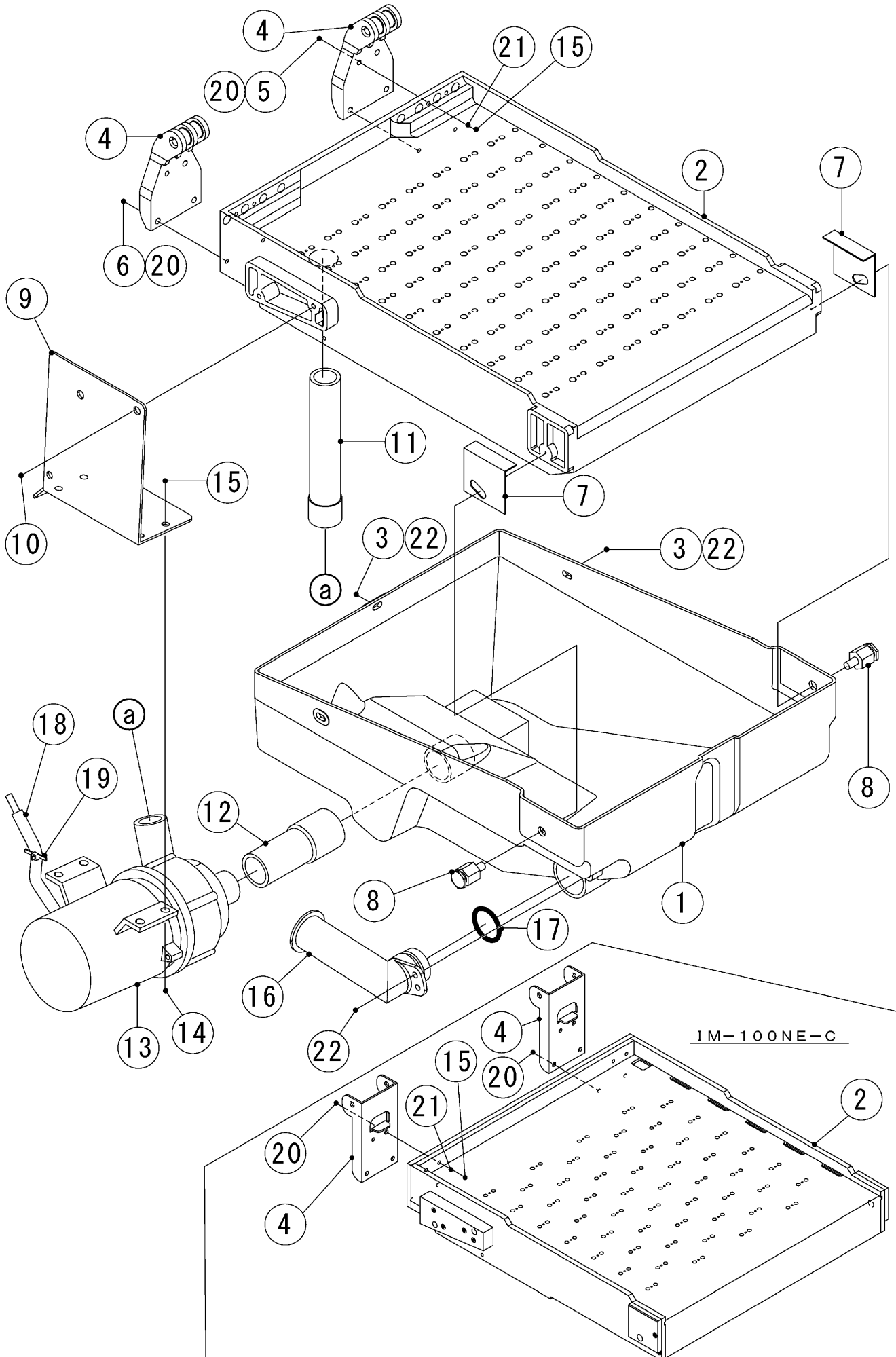




IM-100NE(-21,-23,-C)  
IM-100WNE(-21,-23)  
IM-130NE(-21,-23)  
IM-130WNE(-23)

L. WATER PAN ASSY

(B-1) and later





IM-100NE(-21,-23,-C)

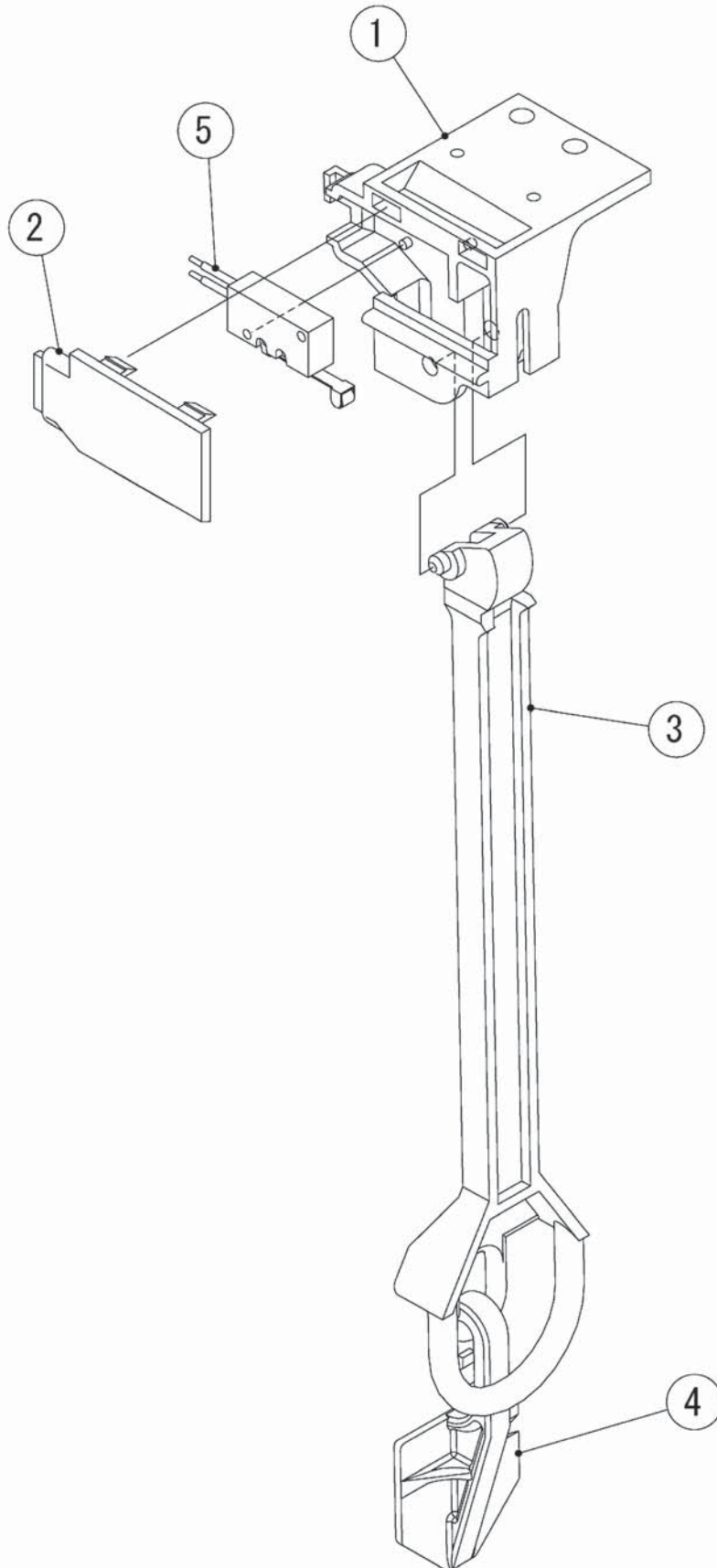
IM-100WNE(-21,-23)

IM-130NE(-21,-23)

IM-130WNE(-23)

# M. BIN CONTROL SWITCH

(B-1) and later







IM-100NE(-21,-23,-C)  
IM-100WNE(-21,-23)  
IM-130NE(-21,-23)  
IM-130WNE(-23)

## N. ACCESSORIES

(B-1) and later

