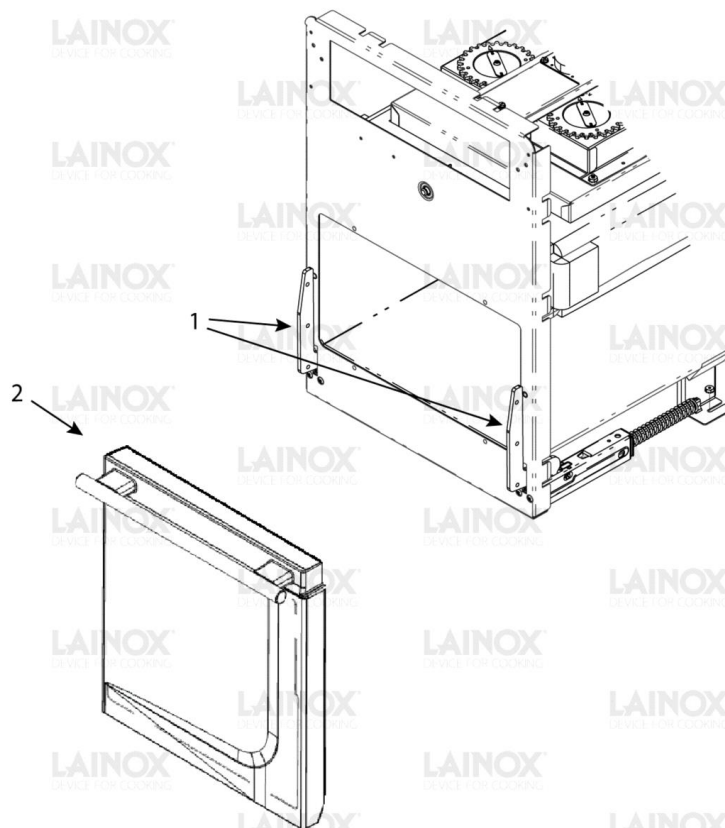


Warning! The exploded views refer to the general model

ORAC_TAV_A

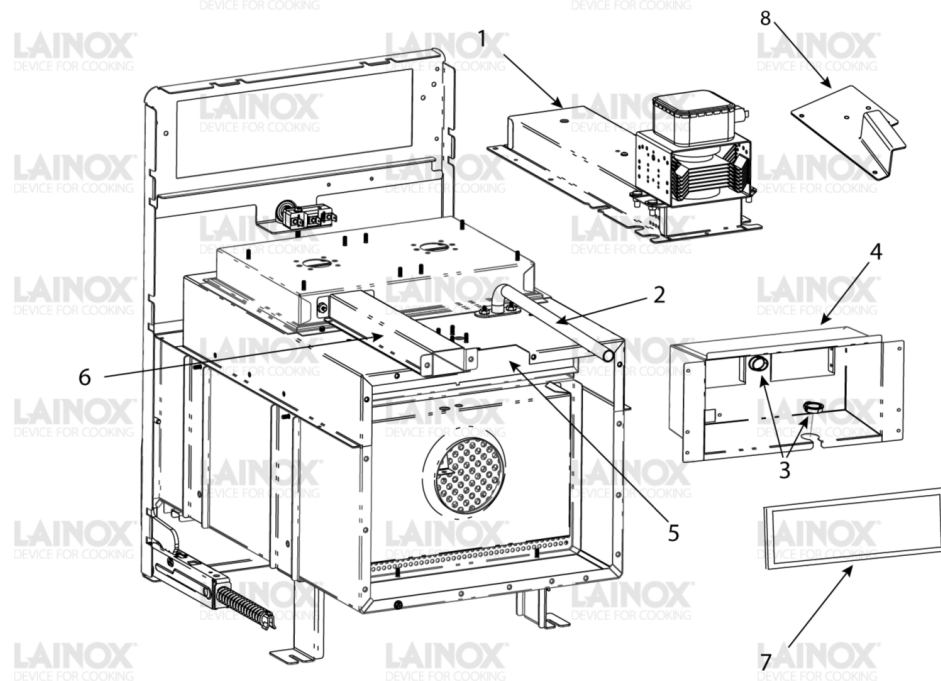
Pos.	Code	Previous code	Description	Notes	From:	To:
0001	LA19200440		COVER [C] BLACK			
0002	LA19200450		SIDE PANEL LH [C] INOX			
0003	LA19200260		BACK PANEL [C] BLACK			
0004	LA19200070		UPPER INSULATION [C]			
0005	LA19200040		INSULATION TAPE [C] 4,5M			
0006	LA19200080		LOWER-SIDE INSULATION [C]			
0007	LA19200460		SIDE PANEL RH [C] INOX			
0008	LA19200060		SPACER [C]			



Warning! The exploded views refer to the general model

ORAC_TAV_B

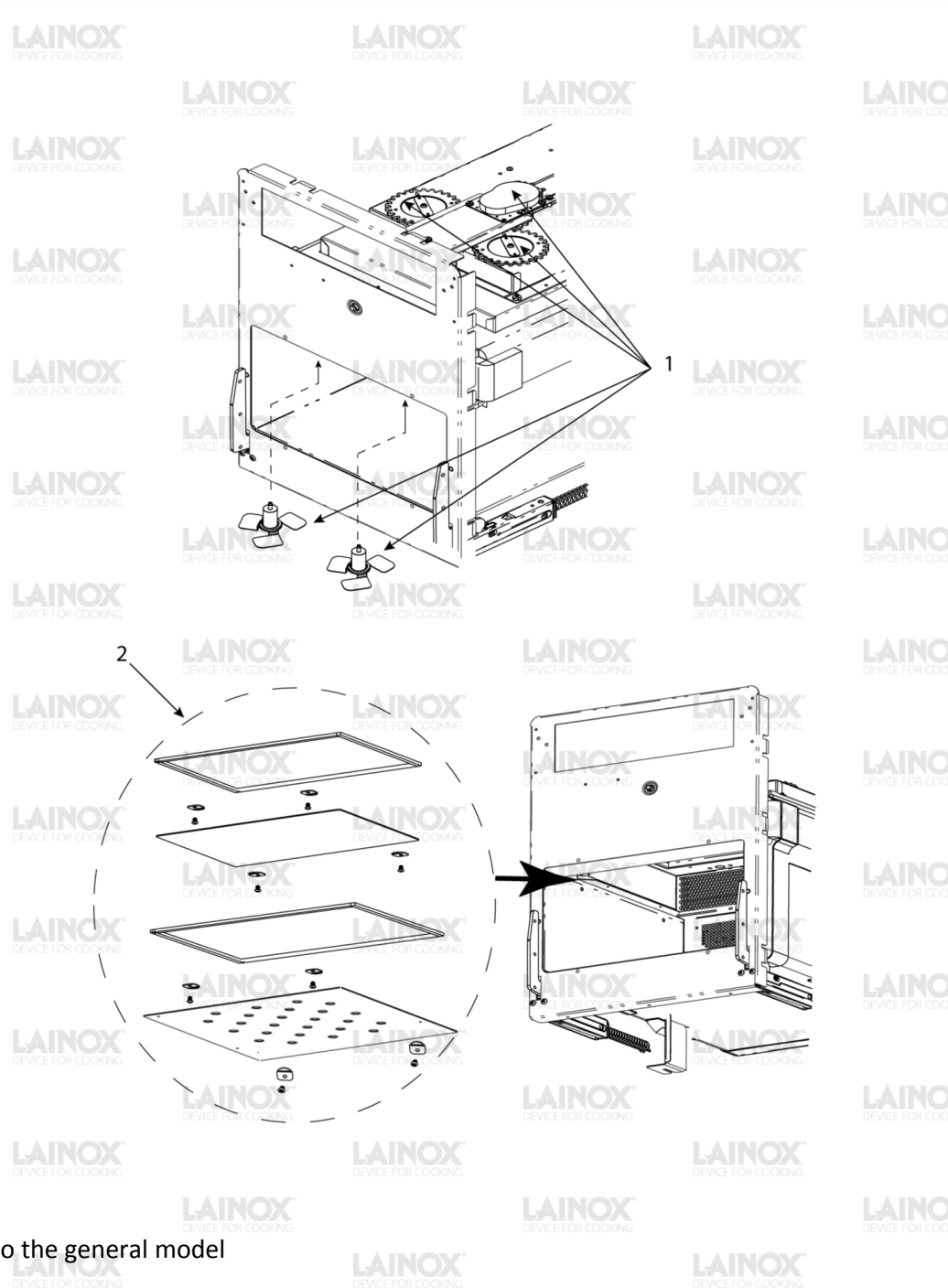
Pos.	Code	Previous code	Description	Notes	From:	To:
0001	LA19200270		KIT DOOR HINGES [C]			
0002	LA69031240		ADAPTOR [C] HANDLE ORACLE			
0002	LAR19200610		DOOR [C] ORACLE			



Warning! The exploded views refer to the general model

ORAC_TAV_C

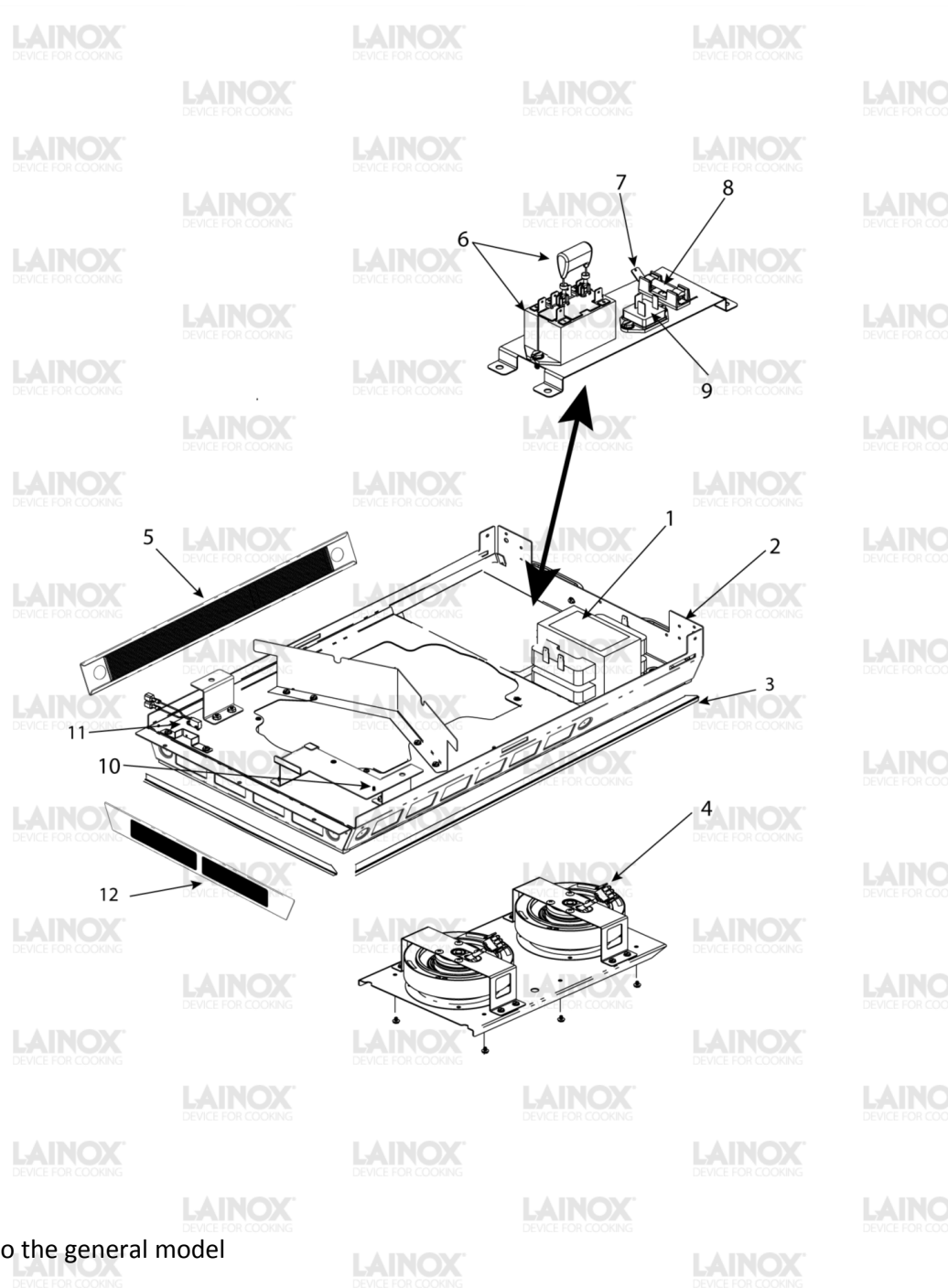
Pos.	Code	Previous code	Description	Notes	From:	To:
0001	LA19200350		KIT MAGNETRON [C]			
0002	LA19200380		VENTILATION CAVITY [C]			
0003	LA19200520		BUSHING [C]			
0004	LA19200120		PIPE [C] MAGNETRON			
0005	LA19200390		KIT CATALYST - GASKET - TAPE [C]			
0006	LA19200090		VENTING CASE [C]			
0007	LA19200660	LA19200170	GASKET [C]			
0008	LA19200110		COVER [C]			



Warning! The exploded views refer to the general model

ORAC_TAV_D

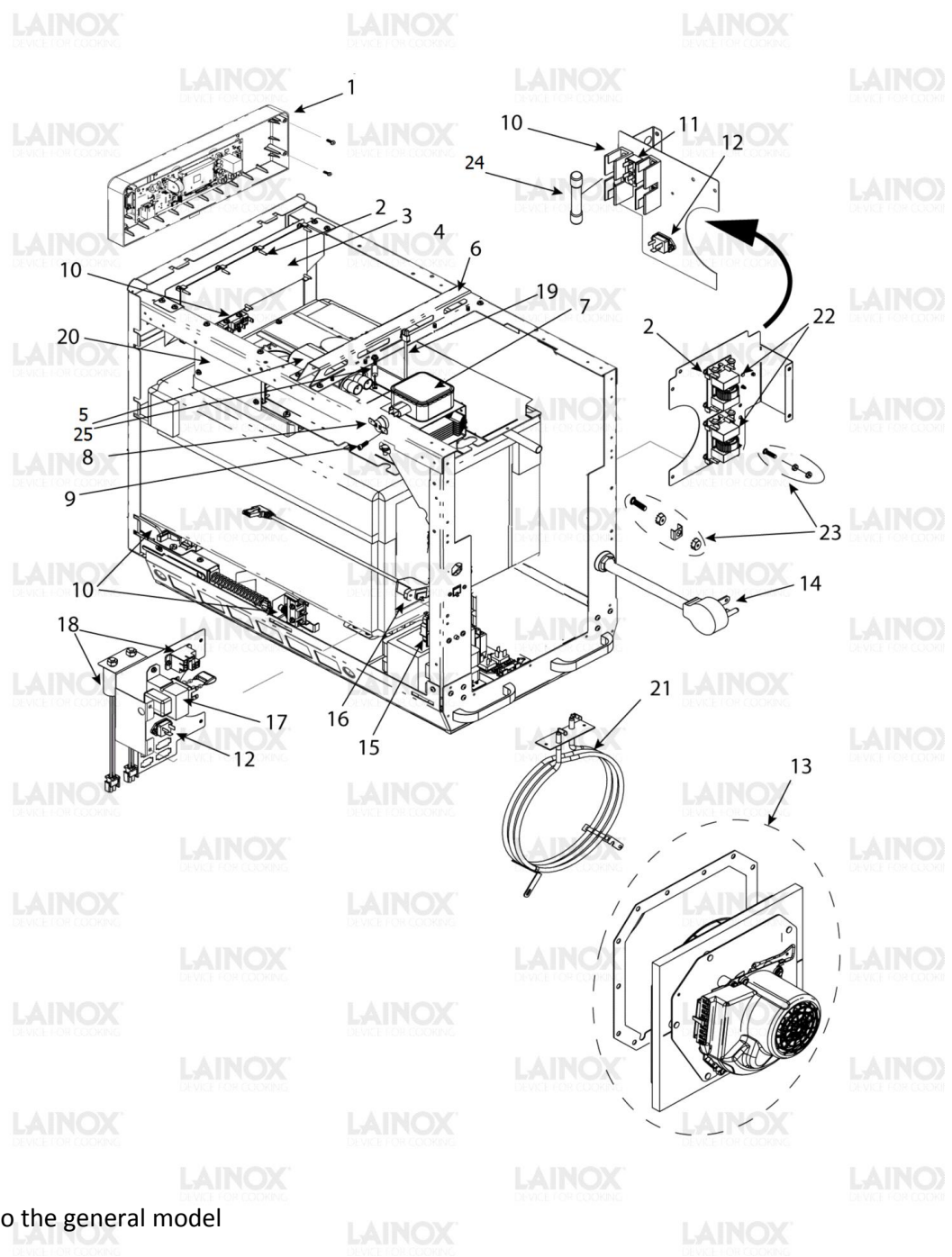
Pos.	Code	Previous code	Description	Notes	From:	To:
0001	LA19200340		KIT ANTENNA-MOTOR-GEAR [C]			
0002	LA19200332		KIT IMPINGEMENT-ANTENNA COVERS 59214765			
0002	LA19200751		CIELO CAMERA - IMPINGEMENT COVER 5920472			



Warning! The exploded views refer to the general model

ORAC1_TAV_E

Pos.	Code	Previous code	Description	Notes	From:	To:
0001	LA19200360		TRANSFORMER [C] UL	UL		
0001	LA19200370		TRANSFORMER [C]	CE		
0002	LA19200430		SET BASE PANEL + GASKET [C]			
0003	LA19200600		GASKET BOTTOM [C] 228CM			
0004	LA19200310		KIT FAN - RELE'- COVER [C]			
0005	LA19200470		LATERAL AIR FILTER [C]			
0006	LA19200290		KIT FUSE - SWITCH - RELE' F1 [C]			
0007	LA19200010		FUSE HOLDER [C]			
0008	LA19200580		FUSE 12A [C]			
0009	LA19200200		KIT TRIAC (40A) + SNUBBER [C]			
0010	LA19200100		HINGE BRACKET [C]			
0011	LA19200240		DOOR MICROSWITCH [C]			
0012	LA19200480		FRONT AIR FILTER [C]			



Warning! The exploded views refer to the general model

ORAC1_TAV_F

Pos.	Code	Previous code	Description	Notes	From:	To:
0001	LA19200420		BOARD DISPLAY ASSY LRX [C]			
0002	LA19200250		KIT PCB SUPPORT + SCREWS [C] (10PZ)			
0003	LA19200500		MAIN BOARD [C] 50HZ			
0004	LA19200340		KIT ANTENNA-MOTOR-GEAR [C]			
0005	LA19200220		KIT CONDENSER 1,00 + DIOD [C]			
0006	LA19200230		FOAM TAPE [C]			
0007	LA19200180		MAGNETRON [C]			
0008	LA19200560		THERMIC PROTECTION [C]			
0009	LA19200050		SCREW [C] TORX			
0010	LA19200290		KIT FUSE - SWITCH - RELE' F1 [C]			
0011	LA19200550		BLOCK TERMINAL [C]			
0012	LA19200200		KIT TRIAC (40A) + SNUBBER [C]			
0013	LA19200320		CONVEYOR [C]			
0014	LA19200140		CABLE [C]	CEE 7/7 "schuko"		
0014	LA19200150		CAVO DI ALIMENTAZIONE 59002112	NEMA 6-20		
0015	LA19200410		KIT THERMAL LIMITER [C] + GASKET			
0016	LA19200190		ETHERNET CABLE [C]			
0017	LA19200300		KIT TRANSFORMER + SNUBBER [C]			
0018	LA19200310		KIT FAN - RELE'- COVER [C]			
0019	LA19200130		TEMPERATURE SENSOR [C]			
0020	LA19200510		BOARD FEEDER [C] (24VDC)			
0021	LA19200400		KIT HEATING ELEMENT [C]			
0022	LA19200490		ELECTRIC NOISE FILTER [C]			
0023	LA19200020		KIT SCREW + NUTS [C]			
0024	LA19200590		FUSE 30A [C]			
0025	LA19200530		FASTENING STRAP CONDENSER [C]			