

Warning! The exploded views refer to the general model

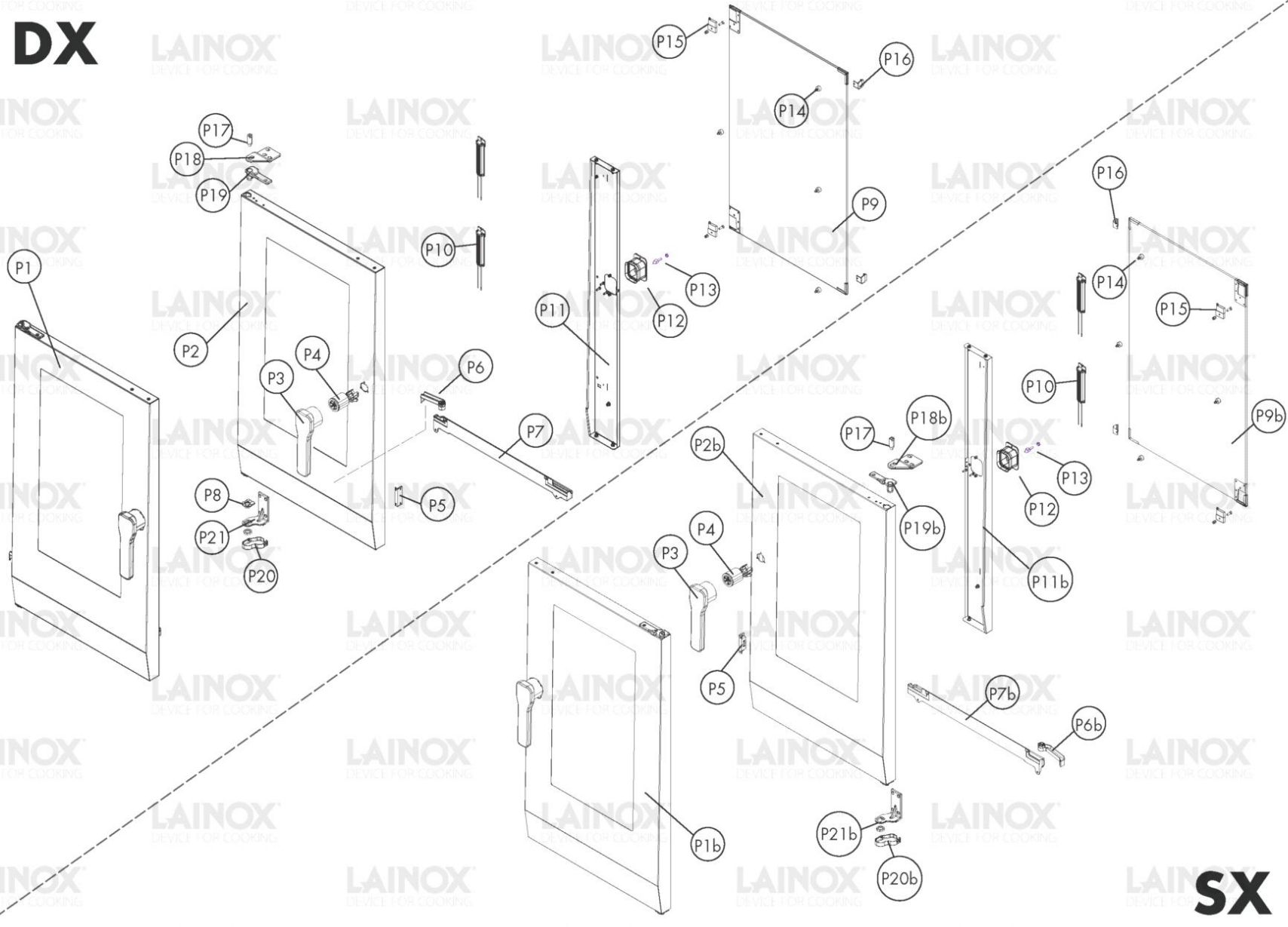
TAV. A

Pos.	Code	Previous code	Description	Notes	From:	To:
0001	LAR21400270		FIANCO N2/S2 101			
0002	LA21100280		PREM.ZOCCOLO N2/S2 061/101			
0002	LAR69110070		KIT SOSTITUZ.MAGNETI ZOCC.N2/S2			
0003	LA75300070		PLATE [C] FAN D. 350 N/S101 2014			
0004	LA58003110		PIN [C]			
0005	LA21200070		ASS.DEFLETTORE N2/S2 101			
0006	LA69070380		PIEDE REG.13/4 A441 C/VITE M10x25 H105			
0007	LA69070400		PIEDINO LX.50-SW19-AS-SST-M10X46			
0008	LA21101660		PREM.FILTRO SCARICO Å~60 N2/S2			
0009	LA70048111		GUARNIZ.FACC.PORTA N2/S2 101 P.80100611			
0010	LA69180720		BACINELLA SCARICO N2/S2 061/101			
0011	LA69180250		FILTER [C] CONTAINER DRAIN			
0012	LA14443120		RACK [C] GN N/S 101 2014			
0013	LA58007830		TAPPO PER SFIATO N2/S2			
0014	LA70010320		ANELLO V-SEAL VA-0050 NBR			
0015	LA21200040		ASS.TUBO FASTDRY N2/S2 101/102			
0016	LAR70030180	LA70030180	GRAPHITE GASKETS KIT [C] 80x50,3x3 SET 5 PIECES			
0017	LAR65095000	LA65090220	RELEASE MOTOR [C] COMPLETE - 1 CAM			
0018	LAR65012272		KIT RESISTENZA CIRC.18000W230V CAM			
0019	LA70030200		GASKET [C] HEATING ELEMENTS			
0020	LA61020582		VITE TE A2 M6X60 UNI5737			
0021	LA58004000		SCREW [C] M12X1.5			
0022	LA58004010		WASHER [C] D. 30/12,5			
0023	LAR75401260		KIT VENTOLA Å~350x120H 12 PALE BRUSHLESS			
0024	LA21400100		COPERCHIO FLANGIA GUARNIZ.MOTORE N2/S2			
0025	LA70020080		GUARNIZIONE MOTORE			
0026	LA58007640		FLANGIA GUARNIZIONE MOTORE			
0027	LAR65045070		KIT MOTORE 750W			
0028	LAR70030190	LA70030190	GRAPHITE GASKETS KIT [C] 90x90x3 SET 5 PIECES			
0029	LA70060050		SILICONE COUPLING [C] D. 60			
0030	LA21100050		PREM.SCAT.CONDENS.N2/S2 061/062/101/102			
0031	LA58007650		UGELLO CONDENSAZIONE Å~1 CODOLO Å~10			

Pos.	Code	Previous code	Description	Notes	From:	To:
0032	LA69180610		TUBO SCAR.BACINELLA PORTA C/ GUARN.GN1/1			
0033	LA62090908		INTERMEDIATE STRAIGHT CONNECTOR [C] D. 10 SPEEDFIT			
0034	LA58006160		NOZZLE [C] D. 0,80			
0036	LA14170880		PREM.PRESSOSTATO DIST.ACQUA N/S S/ BOILER	Mod.without boiler		
0037	LAR65110330		DOUBLE SOLENOID VALVE 2 WAYS 230V 50/60HZ OUT J.G. D.10	Mod.with boiler		
0037	LAR65110340		SOLENOID VALVE [C] 230V 50/60HZ 2 OUTLET JG CONNECTION D. 10	Mod.without boiler		
0038	LA69180590		TUBO SFIATO/SICUR.SOFFIATO N2/S2 101/102			
0039	LA70010470		GUARNIZIONE OR173 VITON FP75			
0040	LAR21200090		KIT TUBO INT.UMIDIF/DETERG N2/S2 101/102			
0041	LA70010510		GUARN.UMID/DET AFM22 70x32			
0042	LA21200080		ASS.TUBO EST.UMIDIF/DETERG N2/S2			
0043	LAR65320220	LA65320220	PROBE [C] K L. 1,5M			
0044	LA65241050		DISTANZ.SILICONE SCHEDA T 2000.			

DX

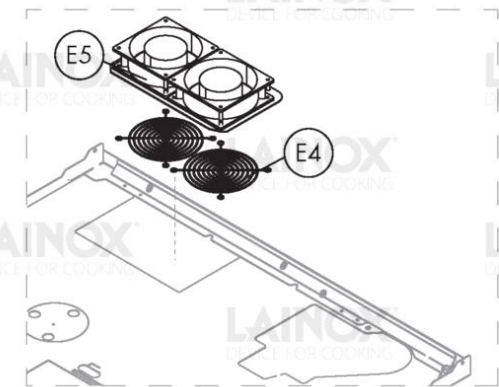
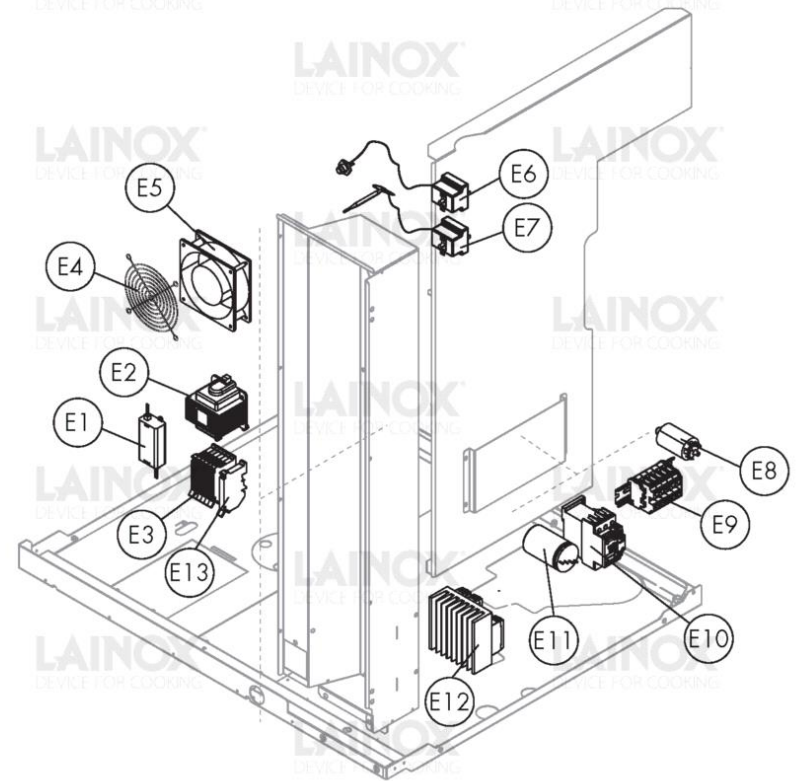
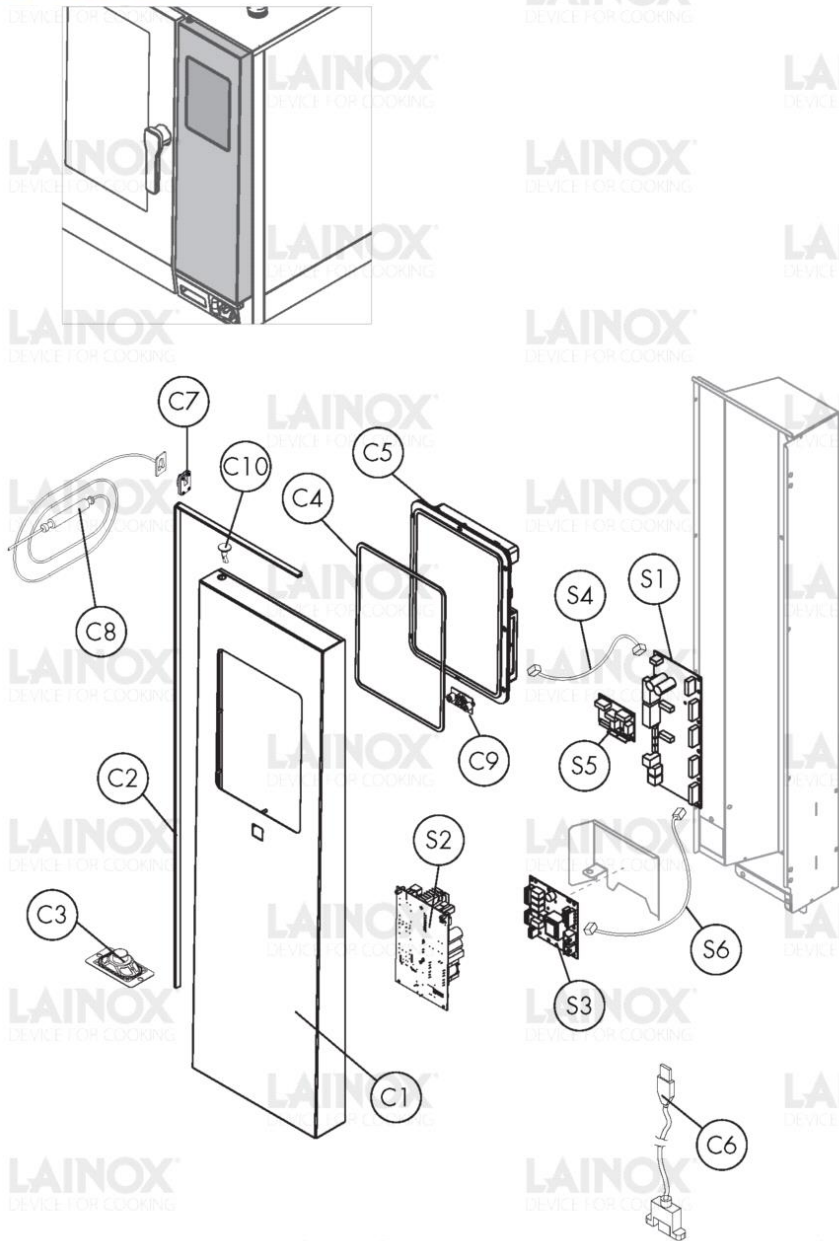
SX



Warning! The exploded views refer to the general model

TAV. B

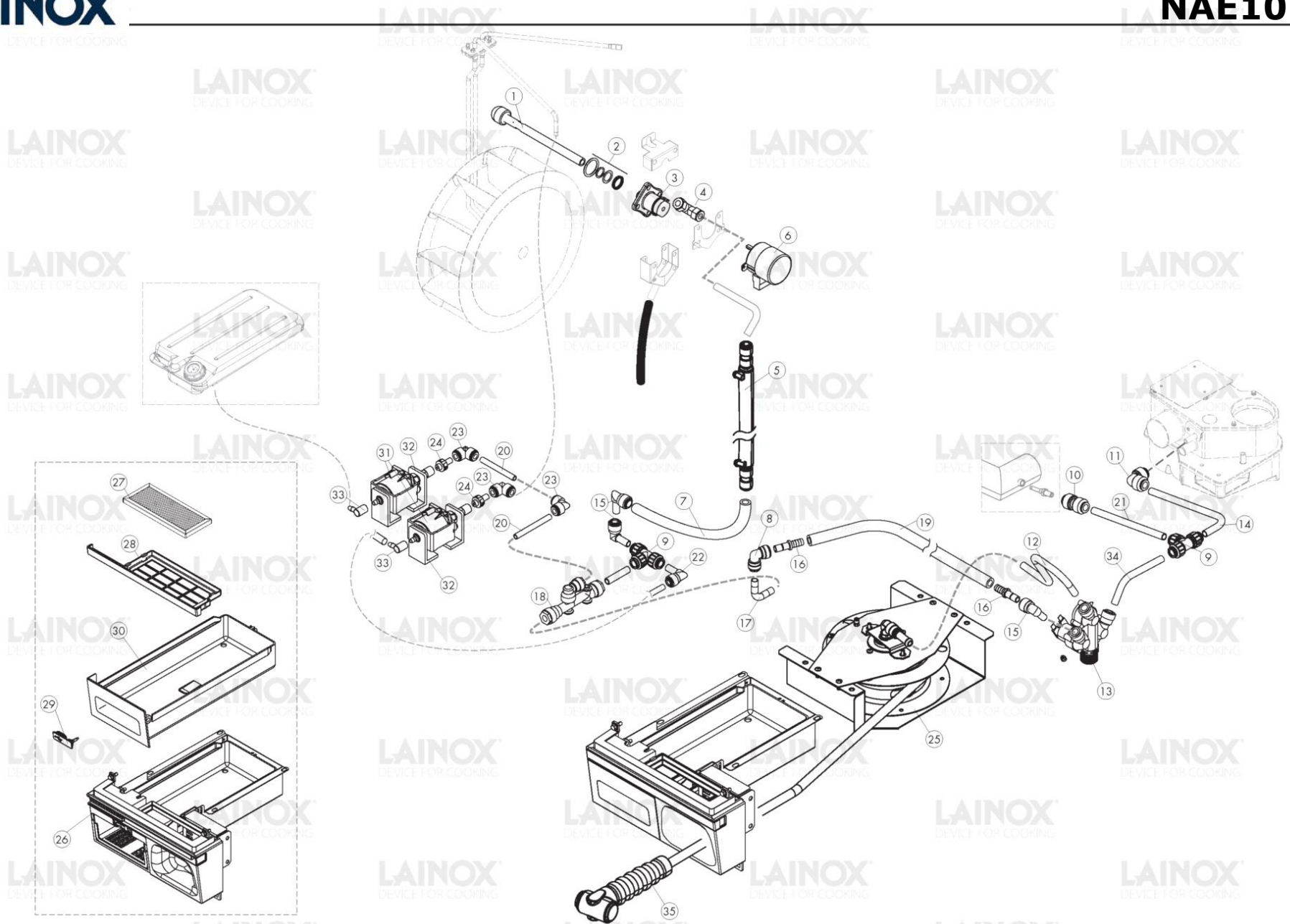
Pos.	Code	Previous code	Description	Notes	From:	To:
00P1	LA21100130		PREM.PORTA N2/S2 101 LAINOX			
00P2	LA21200920		ASS.PORTA N2/S2 101 C/VETRO E LOGO			
00P3	LA69011120		HANDLE [C]			
00P4	LA69011021		MECCANISMO GRUPPO CHIUS.6334-020068 2020			
00P5	LA65260630		MAGNET [C]			
00P6	LA69180731		ASS.SCARICO BACINELLA PORTA N2/S2			
00P8	LA58007700		PERNO INF.CON POSIZ.N2/S2			
00P9	LA21200880		ASS.VETRO POSTERIORE N2/S2 101			
0P10	LA65270590		LED LAMP L=130MM 12V DC [C]			
0P11	LA21200860		ASS.MONTANTE DX INT.PORTA N2/S2 101/102			
0P12	LA69011130		COP.INT.MECC.CHIUS.GRUPPO 6334 N2/ S2			
0P13	LA69010260		PRONG [C]			
0P14	LAR70050180	LA70050180	SPACER [C] GLASS PLATE 15X8			
0P16	LA17406231		CLIP [C] BLOCK GLASS DOOR ICON 2019			
0P17	LA58007690		PERNO A LENZA N2/S2			
0P18	LA21400370		CERNIERA SUP.N2/S2			
0P19	LA21400390		PIASTRA SUPERIORE PORTA N2/S2			
0P20	LA69180710		PROTEZIONE CAVO CERNIERA N2/S2			
0P21	LA21400360		CERNIERA INF.N2/S2			



Warning! The exploded views refer to the general model

TAV. C

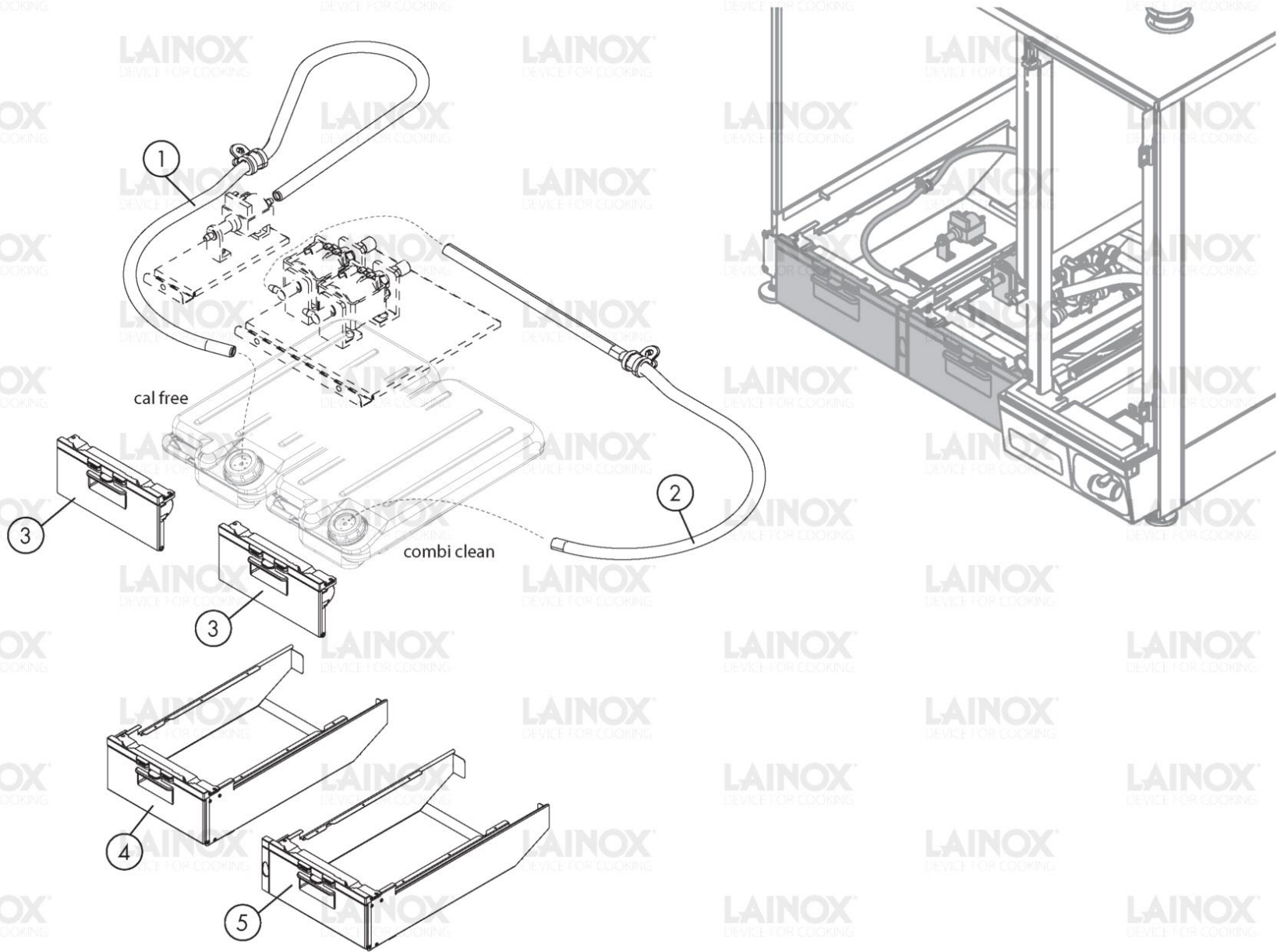
Pos.	Code	Previous code	Description	Notes	From:	To:
00C1	LAR21200110FS		ASS.CRUSCOTTO N2 101/102 FRANSTAL			
00C1	LAR21200110LX		ASS.CRUSCOTTO N2 101/102 LAINOX			
00C2	LA80100101		PROFILE [C]			
00C3	LA65330070		CASSA ACUSTICA CRUSCOTTO N2/S2			
00C4	LA70040030		GASKET [C] GLASS CONTROL PANEL BOARD N 2014			
00C5	LAR65302493		SCHEDA DISPLAY NABOO BOOSTED +FRAME			
00C6	LA65302600		CONNECTING CABLE [C] BOARD/USB OUTLET L. 850			
00C8	LA65321500		CORE PROBE [C] 4 POINTS 6 PLUG	(Conn.Ext.)		
00C8	LAR65321490		KIT SONDA AL CUORE K 4P. 6PIN. IMP.2020			
00C9	LA65260670		TASTO ON/OFF ILLUMINATO N2/S2 COMPLETO			
00E1	LA65187280		ALIMENTATORE LAMPADA LED APV-12-12 N2/S2			
00E2	LA65180430		TRANSFORMER [C] 40VA 0-220-240/12V			
00E3	LA65210020		FUSE CARRIER [C] 5X20			
00E4	LA75300020		FUN GRID			
00E5	LA65060050		FAN [R] D. 120 4715MS 23T			
00E6	LA65070350		THERMOSTAT [C] 360Å°C-25K			
00E7	LAR65070081		THERMOSTAT [C] BOILER			
00E8	LA65280240		ELECTROMECHANICAL FILTER [C]			
00E9	LA65220290		TERMINAL BLOCK [C]			
00S1	LA65302481		MAIN BOARD [C] NABOO			
00S2	LA65141050		INVERTER BRUSHLESS 500W			
00S3	LA65302520		EXPANSION BOAD [C] BOILER NABOO			
00S4	LA65301750		CONNECTING CABLE [C]			
00S5	LA65303090		CONTROL EXPANSION CARD SSR NA			
00S6	LA65301740		CONNECTING CABLE [C]			
0C10	LA69130670		TAPPO Å~12 IMPERDIBILE GOMMA			
0E10	LA65140910		CONTACTOR [C] 3RT2025-1AL20			
0E11	LA65280270		FILTRO FLC566000 3,3ÅµF 0,22nF 1W 475VAC			
0E12	LA65170240		ASS.2xSSR RKD2A60D50CX2H103 C/ DISSIPAT.	(Boiler)		
0E12	LA65170250		ASS.1xSSR RKD2A60D50CH103 C/ DISSIPAT.	(NO Boiler)		
0E13	LA65210050		FUSE CARRIER [C] 6,3X32			



Warning! The exploded views refer to the general model

TAV. D

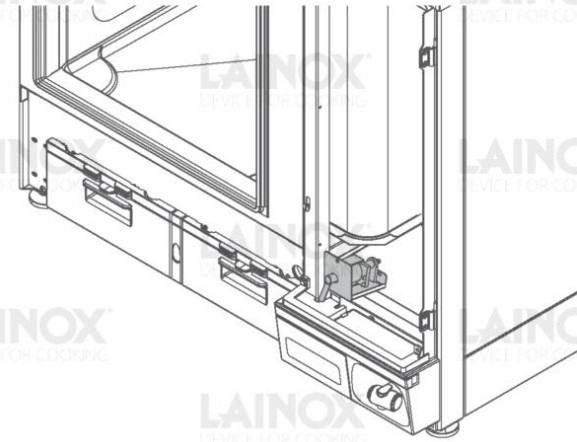
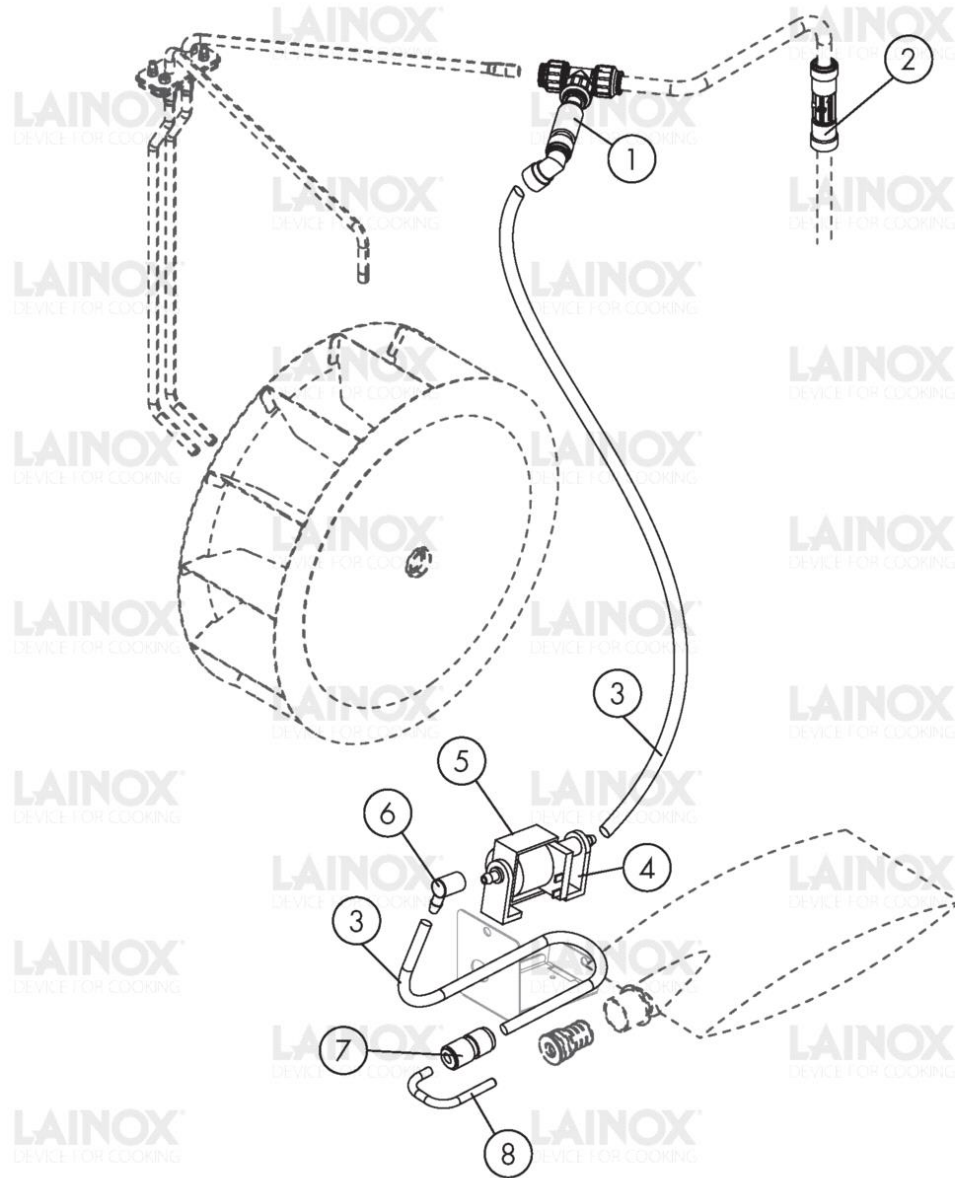
Pos.	Code	Previous code	Description	Notes	From:	To:
0001	LAR58007080		WASHING HEAD [C] L=160 (1/1)			
0002	LAR70045120		GASKET [W] MOB WASHING			
0003	LAR58007020		FLANGE [C] MOB WASHING			
0004	LA62090663		CONNECTOR [C] 10X1/4			
0005	LA21100310		PREM.TUBO LAV.DETER.N2/S2 101/062			
0006	LAR65090260	LA65090261	GEARMOTOR [C]			
0008	LA62090478		INTERMEDIATE CURVED CONNECTOR [C] D. 10			
0009	LA62090468		INTERMEDIATE CONNECTOR [C] D. 10			
0010	LA62090908		INTERMEDIATE STRAIGHT CONNECTOR [C] D. 10 SPEEDFIT			
0011	LA62090918		INTERMEDIATE CURVED CONNECTOR D.10			
0012	LA21400500		TUBO Å~10 F N2/S2			
0013	LAR65110360		DOUBLE SOLENOID VALVE 3 WAY D.10			
0014	LA21400460		TUBO Å~10 B N2/S2@@@			
0015	LA62090528		CURVED CONNECTOR [C] 10X10			
0016	LA62091068		RACCORDO DIR.C/CODOLO Å~10-PG10 HCJB1010B			
0017	LA21403180		TUBO Å~10 INOX DISTRIBUTORE N2/S2			
0018	LA62090888		MANIFOLD [C]			
0019	LA80120070		TUBO SILICONE TELATO 15/10 MOCA			
0020	LA80150000		LIGHT BLUE POLYETHYL PIPE D. 10X7MM			
0021	LA21403310		TUBO Å~10 J N2/S2			
0022	LA62091038		RIDUZIONE 90Å° C/CODOLO Å~10-JG8 HLJ1008B			
0023	LA62090498		INTERMEDIATE CURVED CONNECTOR [C] D. 8			
0024	LA62090608		END SIDE PIPE [C]			
0025	LA62200180		DOCCIONE AVVOLGIBILE N2/S2			
0026	LA21100100		PREM.SOTTOCRUSCOTTO N2/S2			
0027	LA21400160		FILTRO CRUSCOTTO N2/S2			
0028	LA69180680		CASSETTO FILTRO N2/S2			
0029	LA70050240		TAPPO USB GOMMA N2/S2			
0031	LA65110870		PUMP [C] WITH OSCILLATING PISTON			
0032	LA65110880		SUPP.ELLE POMPA FORO PICCOLO 2019			
0033	LA62090980		RACCORDO 90Å° POMPA HF 801047			
0034	LA21403320		TUBO Å~10 G N2/S2@@@			
0035	LA62200133		HANDLE [C] SHOWER HEAD			



Warning! The exploded views refer to the general model

TAV. E

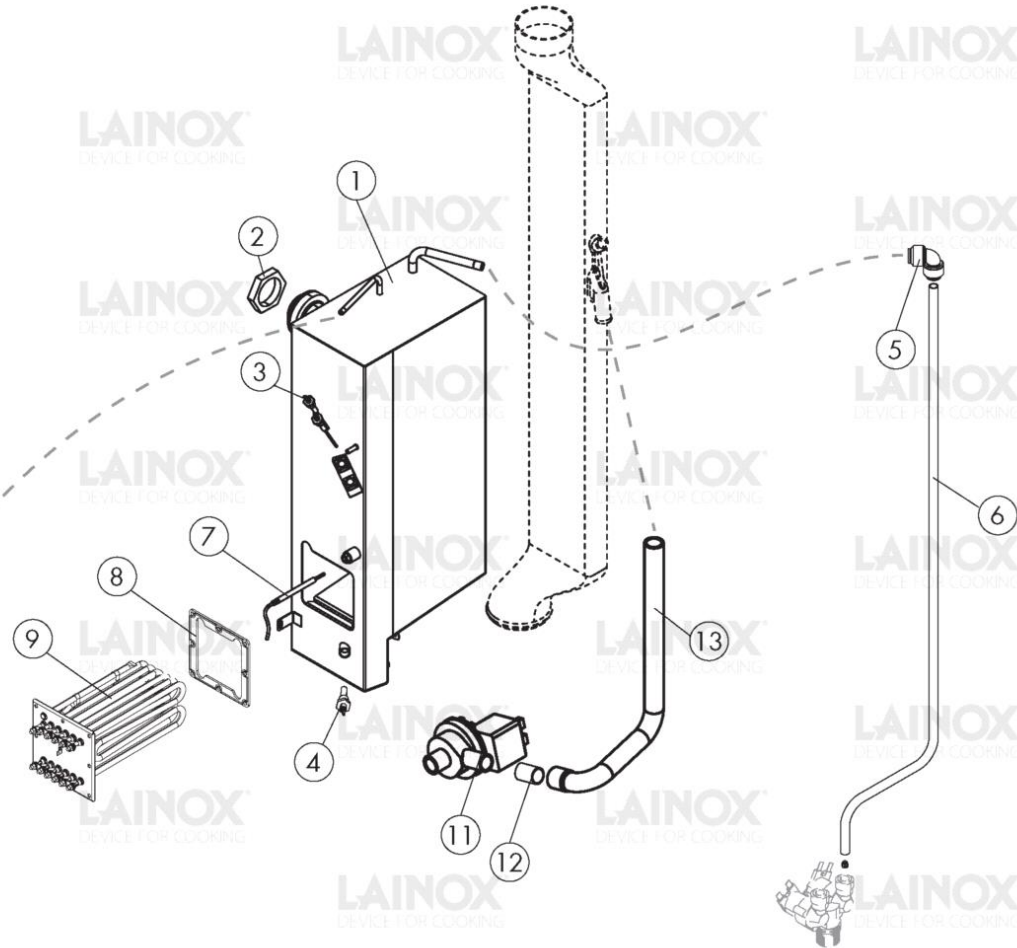
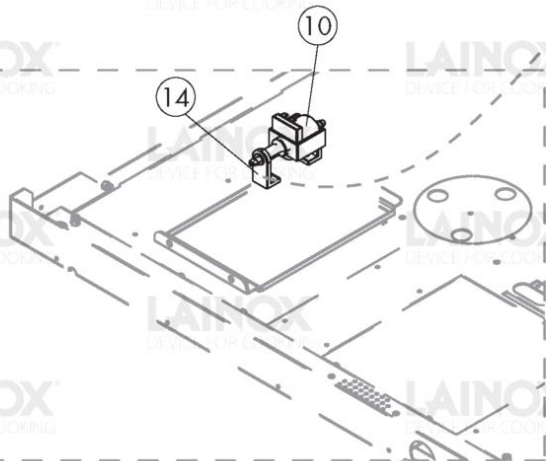
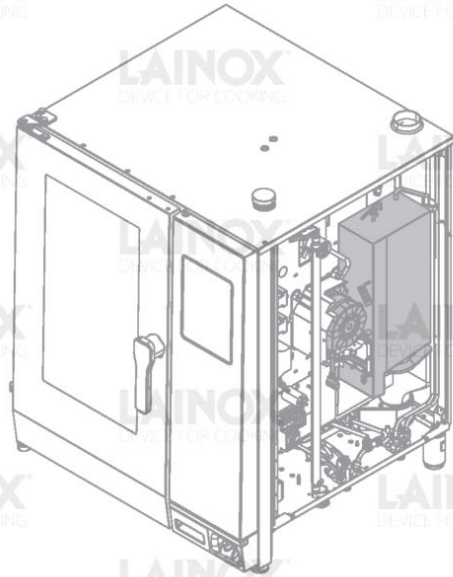
Pos.	Code	Previous code	Description	Notes	From:	To:
0001	LA21100010		PREM.TUBO DECALCIFIC.TAN.ANTIROTAZ.N2/S2			
0002	LA21100000		PREM.TUBO DETERGENTE TAN.ANTIROTAZ.N2/S2			
0003	LA69180870		SPORTELLO SUPPORTO TANICA N2/S2			
0004	LA21101520		PREM.SUPP.TANICA S/SONDA N2/S2			
0005	LA21101510		PREM.SUPP.TANICA C/SONDA N2/S2			



Warning! The exploded views refer to the general model

TAV. F

Pos.	Code	Previous code	Description	Notes	From:	To:
0001	LA21102030		PREM.RACCORDI SMOKEGRILL N2/S2			
0002	LA62091088		VALVOLA DOPPIA NON RITORNO JG10 F31460ZZ			
0003	LA80150100		TUBO PVC 8MMX5 TT/CRISTALLO/TR TRASP.			
0004	LA65110630		SUPPORT [C] PUMP			
0005	LAR65110620	LA65110620	PUMP [C] 230V 50HZ			
0006	LA62090980		RACCORDO 90° POMPA HF 801047			
0007	LA62091058		RIDUZIONE JG8-JG6 HUC0806B			
0008	LA21400400		TUBO PESCANTE BUSTA SMOKEGRILL			



Warning! The exploded views refer to the general model

TAV. G

Pos.	Code	Previous code	Description	Notes	From:	To:
0002	LA58004030		NUT [C] 1 1/4X10 M/110-210-220			
0003	LA65320010		LEVEL PROBE [C]			
0004	LA65324860		SONDA LIVELLO S/BOCCOLA L=40MM			
0005	LA62090918		INTERMEDIATE CURVED CONNECTOR D.10			
0006	LA21400470		TUBO Ã~10 C N2/S2 101/102			
0007	LAR65320220	LA65320220	PROBE [C] K L. 1,5M			
0008	LA70045020		GUARNIZIONE RESISTENZA BOILER N2/ S2			
0009	LAR65020440		KIT RESISTENZA 18000W230V BOILER			
0010	LAR65110620	LA65110620	PUMP [C] 230V 50HZ			
0011	LA65110301		POMPA SINCR.220V50HZ30W(GRE MOD.931)2021			
0012	LA70060160		MANICOT.SILIC.TELATO Ã~E27x2,5 L50 BIANCO			
0013	LA69180620		TUBO SCARICO BOILER N2/S2 E061/062/101			
0014	LA65110630		SUPPORT [C] PUMP			