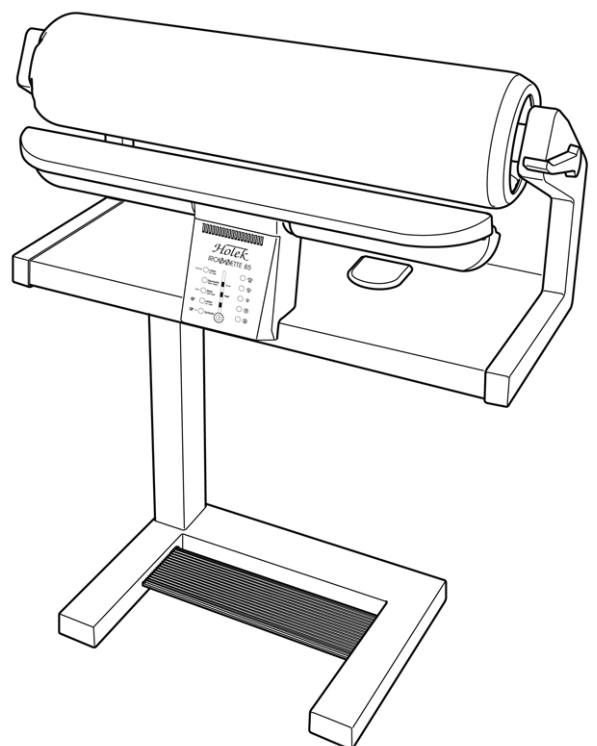


Holek

ironnette 67/85

Ersatzteile-Liste
List of spare parts
Liste des pièces détachées
Catalogo pezzi staccati
Lista de piezas de repuesto



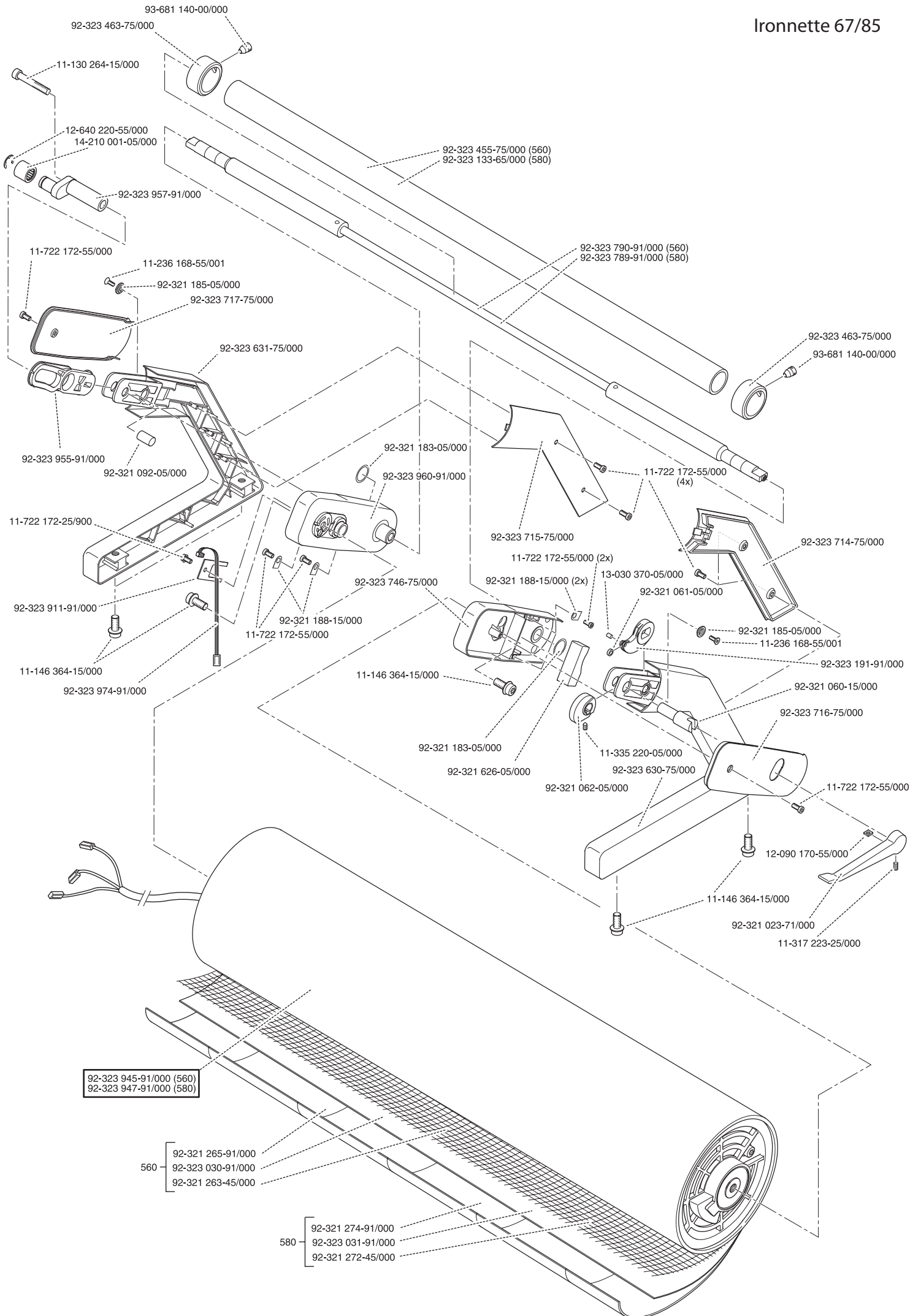
Nicht nummerierte Teile im Katalog werden nicht geliefert.

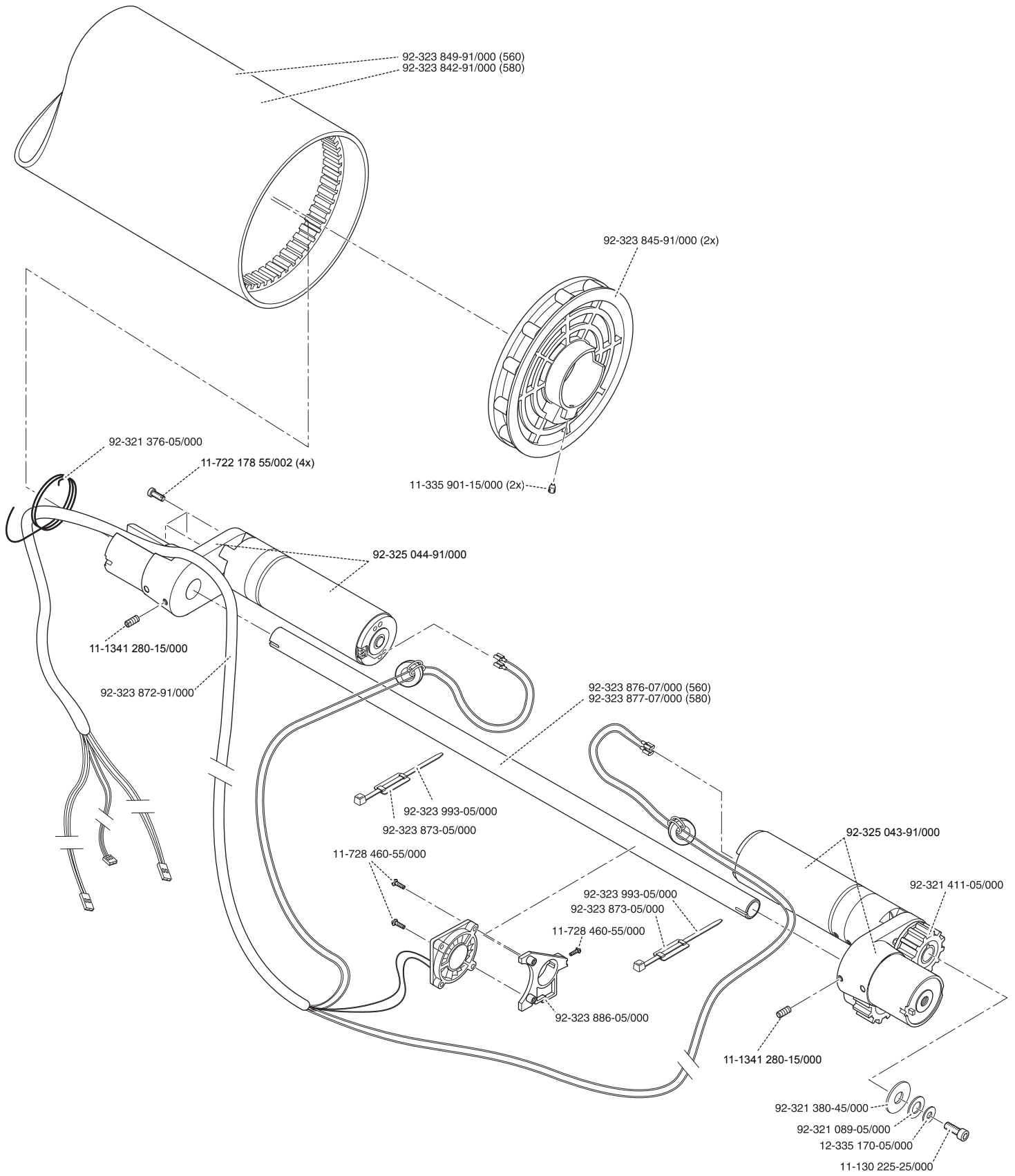
The parts mentioned without number in the parts list are not available.

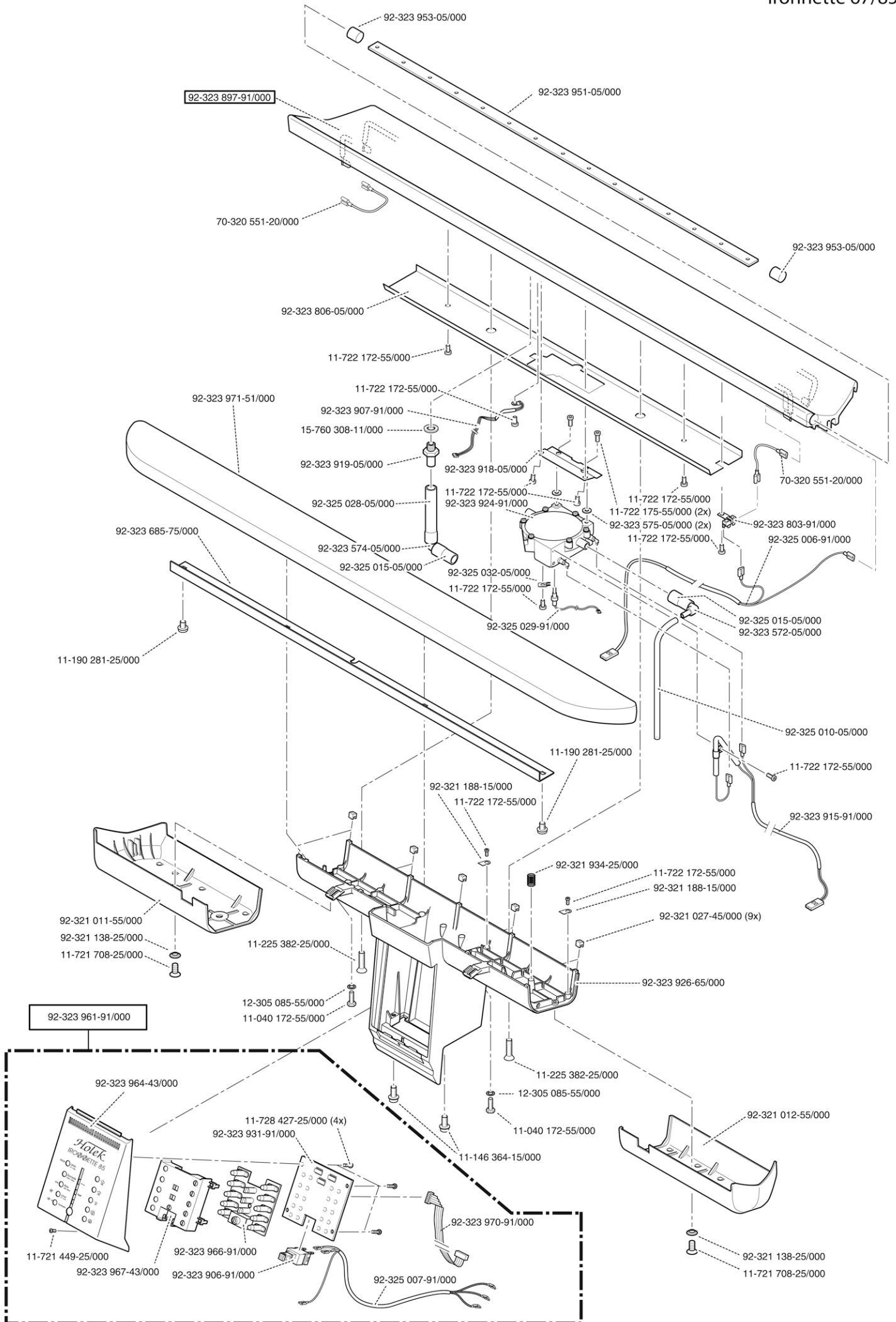
Les pièces qui ne sont pas numérotées dans la liste de pièces détachées ne peuvent être livrées.

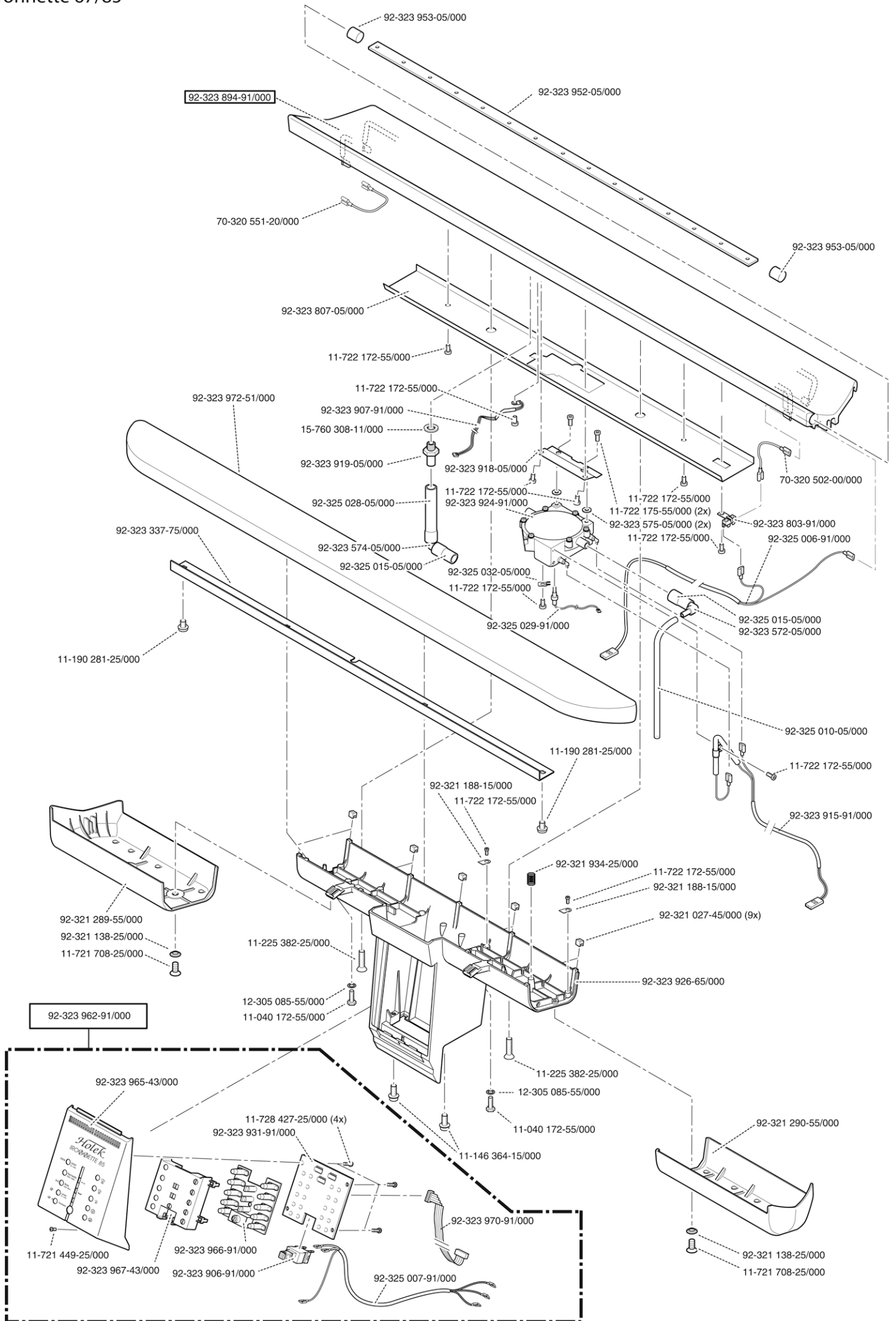
Pezzi non catalogati non sono disponibili.

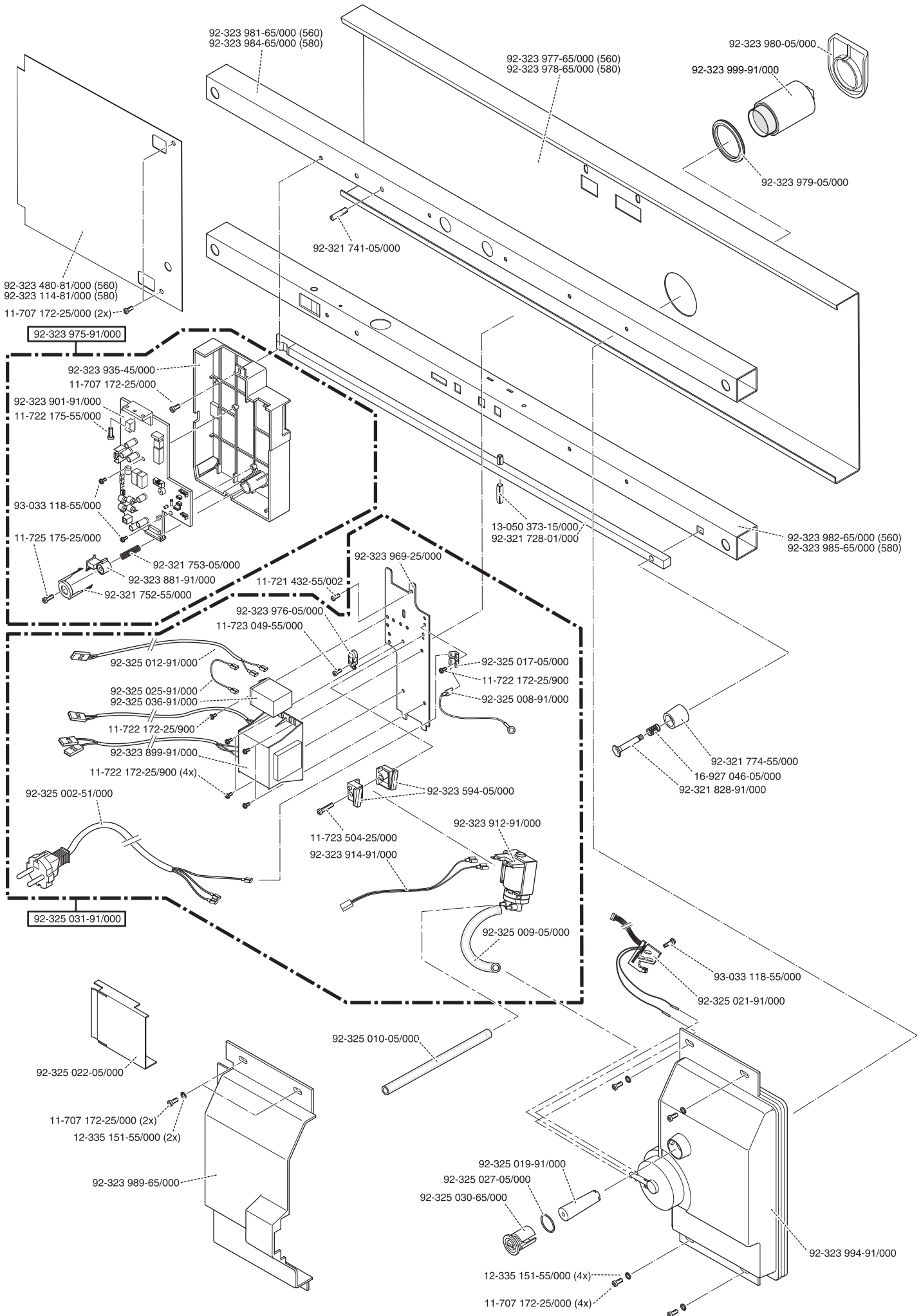
Las piezas de repuesto sin número en esta lista no se entregarán.



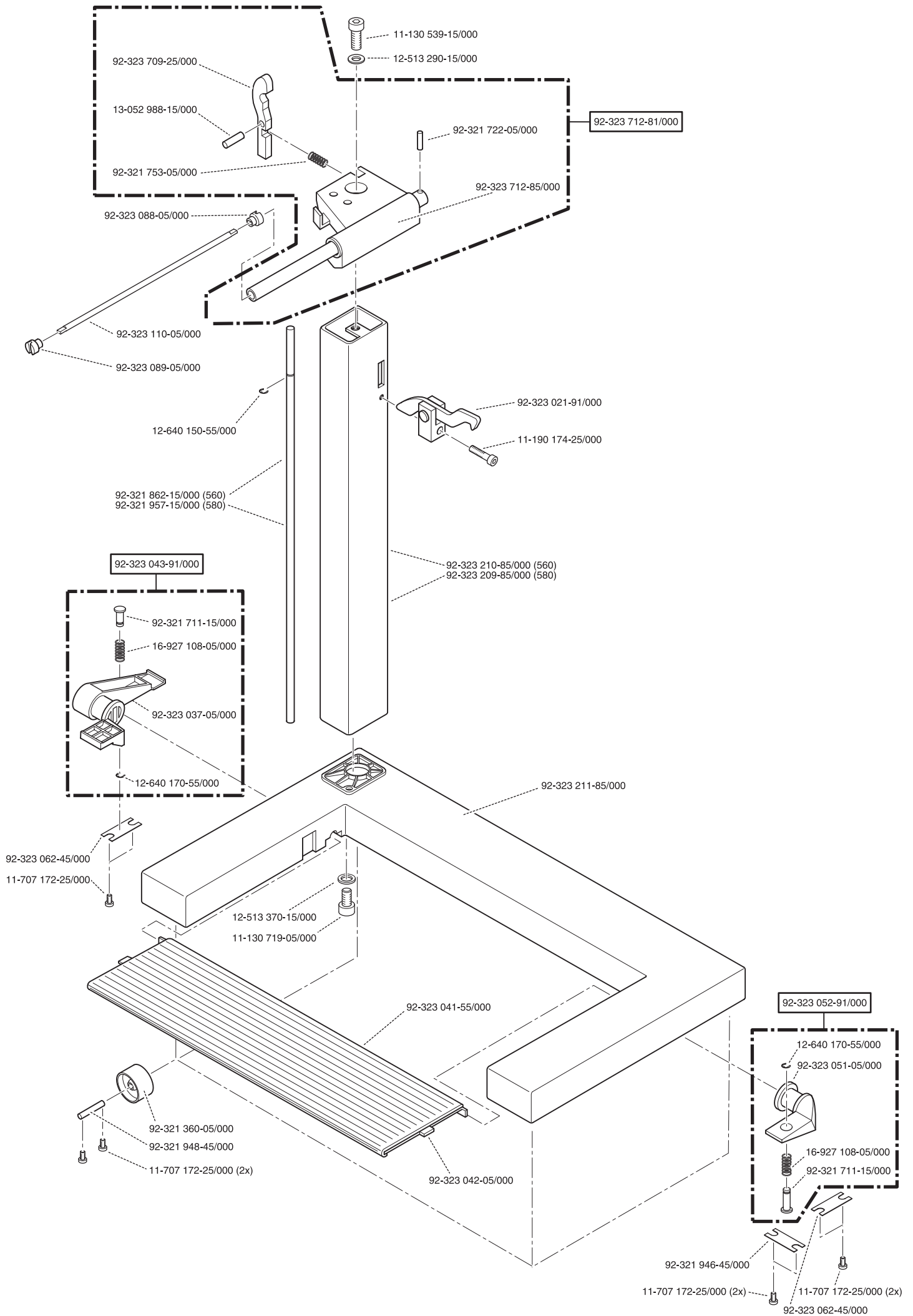








Ironnette 67/85



Nummernverzeichnis • Numerical Index • Index • Elenco dei Numeri • Índice numérico

| | | | |
|-------------------|-----------------------------------|------------------------------------|------------|
| 11-040 172-55/000 | Sechsk.-Schraube M6x25 | hexagon screw M6x25 | 3, 4 |
| 11-130 225-25/000 | SHR EN ISO 4762-M5x10-10.9 | screw EN ISO 4762-M5x10-10.9 | 2 |
| 11-130 264-15/000 | SHR ISO 7380-M5x60-10.9 | screw ISO 7380-M5x60-10.9 | 1 |
| 11-130 539-15/000 | SHR ISO 4762 (DIN 912) | screw ISO 4762 (DIN 912) | 6 |
| 11-130 719-05/000 | SHR ISO 4762 (DIN 912) | screw ISO 4762 (DIN 912) | 6 |
| 11-146 364-15/000 | SHR PN11146-M 8X20 | screw PN11146-M 8X20 | 1, 3, 4 |
| 11-190 174-25/000 | SHR DIN 7985-M 4x8 | screw DIN 7985-M 4x8 | 6 |
| 11-190 281-25/000 | SHR ISO 7045-M6 | screw ISO 7045-M6 | 3, 4 |
| 11-225 382-25/000 | SHR M8x40 D7991 | screw M8x40 D7991 | 3,4 |
| 11-236 168-55/001 | SHR DIN 965-M 4x8 | screw DIN 965-M 4x8 | 1 |
| 11-317 223-25/000 | Gewindestift ISO 4766-M 5x10 | set screw ISO 4766-M 5x10 | 1 |
| 11-335 220-05/000 | Gewindestift DIN 914-M 5x8 | set screw DIN 914-M 5x8 | 1 |
| 11-335 901-15/000 | Gewindestift DIN 914-M 6x8 | set screw DIN 914-M 6x8 | 2 |
| 11-341 280-15/000 | Gewindestift DIN 916-M 6x8 | set screw DIN 916-M 6x8 | 2 |
| 11-707 172-25/000 | SHR AM 4x8 DIN 7516 | AM 4x8 DIN 7516 | 5, 6 |
| 11-721 432-55/002 | SHR D7500-BE M4x6 | screw D7500-BE M4x6 | 5 |
| 11-721 449-25/000 | SHR D7500 M 4x8 | screw D7500 M 4x8 | 3, 4 |
| 11-721 708-25/000 | SHR D7500 M 6x12 | screw D7500 M 6x12 | 3, 4 |
| 11-722 172-25/900 | SHR PN11722-M 4x8 mit Scheibe | screw PN11722-M 4x8 with disk | 1, 5 |
| 11-722 172-55/000 | SHR PN11722-M 4x8 | screw PN11722-M 4x8 | 1, 3, 4, 5 |
| 11-722 175-55/000 | SHR PN 11722-M 4x10 | screw PN 11722-M 4x10 | 3, 4, 5 |
| 11-722 178-55/002 | SHR PN 11722-M 4x12 | screw PN 11722-M 4x12 | 2 |
| 11-723 049-55/000 | SHR PN11723-M 4x18-T20 | screw PN11723-M 4x18-T20 | 5 |
| 11-723 504-25/000 | SHR PN11723-M 4x25-T20 | screw PN11723-M 4x25-T20 | 5 |
| 11-725 175-25/000 | SHR F3,5x13 N11725 | screw F3,5x13 N11725 | 5 |
| 11-728 427-25/000 | SHR PN11728-F 3x10 | screw PN11728-F 3x10 | 3, 4 |
| 11-728 460-55/000 | SHR PN11728-F-3x16 | screw PN11728-F-3x16 | 2 |
| 12-090 170-55/000 | Mutter DIN 562-M 5 | nut DIN 562-M 5 | 1 |
| 12-305 085-55/000 | SHB ISO 7089-6-200HV-verzinkt | washer ISO 7089-6-200HV-galvanized | 3,4 |
| 12-335 151-55/000 | SHB DIN 9021-4,3 | washer DIN 9021-4,3 | 5 |
| 12-335 170-05/000 | SHB DIN 9021-5,3-140HV-A2 | washer DIN 9021-5,3-140HV-A2 | 2 |
| 12-513 290-15/000 | SISHB PH12513-12 | retaining washer PH12513-12 | 6 |
| 12-513 370-15/000 | SISHB PH12513-16 | retaining washer PH12513-16 | 6 |
| 12-640 150-55/000 | SISHB DIN 6799-4 | retaining washer DIN 6799-4 | 6 |
| 12-640 170-55/000 | SISHB DIN 6799-5 | retaining washer DIN 6799-5 | 6 |
| 12-640 220-55/000 | SISHB 9 DIN 6799 | retaining washer 9 DIN 6799 | 1 |
| 13-030 370-05/000 | Zylinderstift 6M6x10 DIN 7 | helical pin 6M6x10 DIN 7 | 1 |
| 13-050 373-15/000 | Spannstift ISO 8752-6x12 | tightening pin ISO 8752-6x12 | 5 |
| 13-052 988-15/000 | Spannstift ISO 8750-6x22 | tightening pin ISO 8750-6x22 | 6 |
| 13-071 100-75/000 | Passkerbstift ISO 8746 6x18 | edged adjusting pin ISO 8746 6x18 | 2 |
| 14-210 001-05/000 | Nadellager | pin bearing | 1 |
| 15-760 308-11/000 | Dichtscheibe D7603-A8x11,5 | leakproof plate D7603-A8x11,5 | 3, 4 |
| 16-927 046-05/000 | Fed. 0,63x8x16 D2098 | spring 0,63x8x16 D2098 | 5 |
| 16-927 108-05/000 | Fed. 1,25x8x33 D2098 | spring 1,25x8x33 D2098 | 6 |
| 70-320 502-00/000 | Leitung PH 73010-1x90 | cable PH 73010-1x90 | 4 |
| 70-320 551-20/000 | Leitung PH 73010-H05S-K, WS-1X70- | cable PH 73010-H05S-K, WS-1X70- | 3, 4 |
| 92-321 011-55/000 | Pressstoffkappe links | pressed material cap left | 3 |
| 92-321 012-55/000 | Pressstoffkappe rechts | pressed material cap right | 3 |
| 92-321 023-71/000 | Auslösehebel | release lever | 1 |
| 92-321 027-45/000 | Kappe | cap | 3, 4 |
| 92-321 060-15/000 | Auslösebolzen | release bolt | 1 |
| 92-321 061-05/000 | Rolle | roller | 1 |
| 92-321 062-05/000 | Spannexzenter | tensioning eccentric | 1 |
| 92-321 089-05/000 | Scheibe | washer | 2 |
| 92-321 092-05/000 | Exzenterbolzen | eccentric bolt | 1 |
| 92-321 138-25/000 | Formscheibe | grinding plate | 3, 4 |

Nummernverzeichnis • Numerical Index • Index • Elenco dei Numeri • Índice numérico

| | | | |
|-------------------|--------------------------|--------------------------------|---------|
| 92-321 183-05/000 | Scheibe | washer | 1 |
| 92-321 185-05/000 | Scheibe | washer | 1 |
| 92-321 188-15/000 | Kabelschelle | cable clamp | 1, 3, 4 |
| 92-321 263-45/000 | Jutebezug | jute cladding | 1 |
| 92-321 265-91/000 | Walzenbezug kpl. 560 | roll cladding cpl. | 1 |
| 92-321 272-45/000 | Jutebezug | jute cladding | 1 |
| 92-321 274-91/000 | Walzenbezug kpl. 580 | roll cladding cpl. | 1 |
| 92-321 289-55/000 | Pressstoffkappe links | pressed material cap left | 4 |
| 92-321 290-55/000 | Pressstoffkappe rechts | pressed material cap right | 4 |
| 92-321 360-05/000 | Rad | wheel | 6 |
| 92-321 376-05/000 | Feder | spring | 2 |
| 92-321 380-45/000 | Scheibe | washer | 2 |
| 92-321 411-05/000 | Zahnrad | gear wheel | 2 |
| 92-321 626-05/000 | Bremsklotz | brake block | 1 |
| 92-321 711-15/000 | Bolzen | bolt | 6 |
| 92-321 722-05/000 | Zylinderstift | helical pin | 6 |
| 92-321 728-01/000 | Auslösestange kpl. | release bar cpl. | 5 |
| 92-321 741-05/000 | Gewindestift | set screw | 5 |
| 92-321 752-55/000 | Deckel | cover | 5 |
| 92-321 753-05/000 | Druckfeder | compression spring | 5, 6 |
| 92-321 774-55/000 | Rundpuffer | round-buffer | 5 |
| 92-321 828-91/000 | Druckstift | presser pin | 5 |
| 92-321 862-15/000 | Schaltstange | switching rod | 6 |
| 92-321 934-25/000 | Druckfeder | compression spring | 3, 4 |
| 92-321 946-45/000 | Lasche | fixing plate | 6 |
| 92-321 948-45/000 | Achse | shaft | 6 |
| 92-321 957-15/000 | Schaltstange | switching rod | 6 |
| 92-323 021-91/000 | Feststeller kpl. | arresting device cpl. | 6 |
| 92-323 030-91/000 | Paddingbezug | padding | 1 |
| 92-323 031-91/000 | Paddingbezug | padding | 1 |
| 92-323 037-05/000 | Schalthebel links | control lever left | 6 |
| 92-323 041-55/000 | Abdeckprofil | covering profile | 6 |
| 92-323 042-05/000 | Schaltleiste | connecting block | 6 |
| 92-323 043-91/000 | Schalthebel links kpl. | control lever left cpl. | 6 |
| 92-323 051-05/000 | Schalthebel rechts | control lever right | 6 |
| 92-323 052-91/000 | Schalthebel rechts kpl. | control lever right cpl. | 6 |
| 92-323 062-45/000 | Lasche | fixing plate | 6 |
| 92-323 088-05/000 | Kupplung links | clutch left | 6 |
| 92-323 089-05/000 | Kupplung rechts | clutch right | 6 |
| 92-323 110-05/000 | Drehstab | torsion bar | 6 |
| 92-323 114-81/000 | Abdeckblech kpl. | cover plate cpl. | 5 |
| 92-323 133-65/000 | Verbindungsrohr lackiert | connecting tube lacquered | 1 |
| 92-323 191-91/000 | Hebel kpl. | lever cpl. | 1 |
| 92-323 209-85/000 | Säule lackiert | column lacquered | 6 |
| 92-323 210-85/000 | Säule lackiert | column lacquered | 6 |
| 92-323 211-85/000 | Konsole lackiert | console lacquered | 6 |
| 92-323 337-75/000 | Schiene lackiert | bar lacquered | 4 |
| 92-323 455-75/000 | Verbindungsrohr lackiert | connecting tube lacquered | 1 |
| 92-323 463-75/000 | Hülsenklemme lackiert | sleeve lacquered | 1 |
| 92-323 480-81/000 | Abdeckblech kpl. | cover plate cpl. | 5 |
| 92-323 572-05/000 | Rohrwinkel | pipe angle | 3, 4 |
| 92-323 574-05/000 | Rohrwinkel | pipe angle | 3, 4 |
| 92-323 575-05/000 | Scheibe | washer | 3, 4 |
| 92-323 594-05/000 | Pumpenhalter | pump-holder | 5 |
| 92-323 630-75/000 | Stützarm rechts lackiert | supporting arm right lacquered | 1 |
| 92-323 631-75/000 | Stützarm links lackiert | supporting arm left lacquered | 1 |

Nummernverzeichnis • Numerical Index • Index • Elenco dei Numeri • Indice numérico

| | | | |
|-------------------|------------------------------------|-------------------------------|------|
| 92-323 685-75/000 | Schiene lackiert | bar lacquered | 3 |
| 92-323 709-25/000 | Rasthebel | drop-in lever | 6 |
| 92-323 712-81/000 | Lagerkopf kpl. | bearing head cpl. | 6 |
| 92-323 712-85/000 | Lagerkopf lackiert | bearing head lacquered | 6 |
| 92-323 714-75/000 | Stützarmdeckel rechts | supporting arm lid right | 1 |
| 92-323 715-75/000 | Stützarmdeckel links | supporting arm lid left | 1 |
| 92-323 716-75/000 | Lagerarmdeckel rechts | bearingarm cover right | 1 |
| 92-323 717-75/000 | Lagerarmdeckel links | bearingarm cover left | 1 |
| 92-323 746-75/000 | Lagerarm rechts lackiert | bearingarm right lacquered | 1 |
| 92-323 789-91/000 | Drehstabfeder kpl. | torsion bar spring cpl. | 1 |
| 92-323 790-91/000 | Drehstabfeder kpl. | torsion bar spring cpl. | 1 |
| 92-323 803-91/000 | Temperatursicherung | temperature fuse | 3, 4 |
| 92-323 806-05/000 | Abstrahlblech | reflect plate | 3 |
| 92-323 807-05/000 | Abstrahlblech | reflect plate | 4 |
| 92-323 842-91/000 | Walze mit Zahnkranz kpl. | roll with gear rim cpl. | 2 |
| 92-323 845-91/000 | Lagerhalter kpl. AU | bearing bracket cpl. AU | 2 |
| 92-323 849-91/000 | Walze mit Zahnkranz kpl. | roll with gear rim cpl. | 2 |
| 92-323 872-91/000 | Kabelbaum | cable | 2 |
| 92-323 873-05/000 | Isolierplatte | insulating board | 2 |
| 92-323 876-07/000 | Flanschrohr bearbeitet | flange pipe worked | 2 |
| 92-323 877-07/000 | Flanschrohr bearbeitet | flange pipe worked | 2 |
| 92-323 881-91/000 | Druckstück kpl. | pressure block cpl. | 5 |
| 92-323 886-05/000 | Lüfter- und Kabelhalter | fan- and cable support | 2 |
| 92-323 894-91/000 | Heizschuh kpl. | heating shoe cpl. | 4 |
| 92-323 897-91/000 | Heizschuh kpl. | heating shoe cpl. | 3 |
| 92-323 899-91/000 | Trafo kpl. | transformer cpl. | 5 |
| 92-323 901-91/000 | Leiterplatte bestückt | main pcb assembled | 5 |
| 92-323 906-91/000 | Druckschalter 1 pol. | appliance switch 1 pol. | 3, 4 |
| 92-323 907-91/000 | Temp.-Sensor kpl. | temp.-sensor cpl. | 3, 4 |
| 92-323 911-91/000 | Leiterplatte bestückt senken/heben | pcb assembled up/down | 1 |
| 92-323 912-91/000 | Wasserpumpe | water pump | 5 |
| 92-323 914-91/000 | Pumpenkabel | pump cable | 5 |
| 92-323 915-91/000 | Kabelbaum kpl. | cable cpl. | 3, 4 |
| 92-323 918-05/000 | Schiene | bar | 3, 4 |
| 92-323 919-05/000 | Rohrstutzen | nipple | 3, 4 |
| 92-323 924-91/000 | Verdampfer kpl. | vaporizer cpl. | 3, 4 |
| 92-323 926-65/000 | Heizschuhständer lackiert | heating-shoe holder paint | 3, 4 |
| 92-323 931-91/000 | Leiterplatte bestückt | panel board assembled | 3, 4 |
| 92-323 935-45/000 | Anschlussgehäuse | connecting box | 5 |
| 92-323 945-91/000 | Walze kpl. mit Jutebezug | roll cpl. with jute cladding | 1 |
| 92-323 947-91/000 | Walze kpl. mit Jutebezug | roll cpl. with jute cladding | 1 |
| 92-323 951-05/000 | Lochblech | perforated sheet | 3 |
| 92-323 952-05/000 | Lochblech | perforated sheet | 4 |
| 92-323 953-05/000 | Verschlussstopfen | locking plug | 3, 4 |
| 92-323 955-91/000 | Lagerhebel kpl. | bearing lever cpl. | 1 |
| 92-323 957-91/000 | Kurbel kpl. | crank cpl. | 1 |
| 92-323 960-91/000 | Lagerarm montiert links | bearingarm mounted left | 1 |
| 92-323 961-91/000 | Bedienpult kpl. 560 | board cpl. 560 | 3 |
| 92-323 962-91/000 | Bedienpult kpl. 580 | board cpl. 580 | 4 |
| 92-323 964-43/000 | Bedienpult bedruckt 560 | board printed 560 | 3 |
| 92-323 965-43/000 | Bedienpult bedruckt 580 | board printed 580 | 4 |
| 92-323 966-91/000 | Schaltmatte | keypad | 3, 4 |
| 92-323 967-43/000 | Niederhalter | holder frame | 3, 4 |
| 92-323 969-25/000 | Träger für Trafobefestigung | bracket f. transformer fixing | 5 |
| 92-323 970-91/000 | Displayleitung | display cable | 3, 4 |
| 92-323 971-51/000 | Auflageplatte | bearing plate | 3 |

Nummernverzeichnis • Numerical Index • Index • Elenco dei Numeri • Índice numérico

| | | | |
|-------------------|-------------------------------|-------------------------------|---------|
| 92-323 972-51/000 | Auflageplatte | bearing plate | 4 |
| 92-323 974-91/000 | Stegleitung (senken/heben) | ribbon cable (up/down) | 1 |
| 92-323 975-91/000 | Anschlussgehäuse kpl. | connecting box cpl. | 5 |
| 92-323 976-05/000 | Zugentlastungsschelle | stress relief clip | 5 |
| 92-323 977-65/000 | Tischplatte lackiert | table plate lacquered | 5 |
| 92-323 978-65/000 | Tischplatte lackiert | table plate lacquered | 5 |
| 92-323 979-05/000 | Dichtung | gasket | 5 |
| 92-323 980-05/000 | Verschluss | closure | 5 |
| 92-323 981-65/000 | Strebe vorne lackiert | brace front lacquered | 5 |
| 92-323 982-65/000 | Strebe hinten lackiert | brace behind lacquered | 5 |
| 92-323 984-65/000 | Strebe vorne lackiert | brace front lacquered | 5 |
| 92-323 985-65/000 | Strebe hinten lackiert | brace behind lacquered | 5 |
| 92-323 989-65/000 | Abdeckung | cover | 5 |
| 92-323 993-05/000 | Kabelbinder | cable clip | 2 |
| 92-323 994-91/000 | Wasserbehälter montiert | tank mounted | 5 |
| 92-323 999-91/000 | Patrone in Beutel kpl | Cartridge in Bootle kpl | 5 |
| 92-325 002-51/000 | Netzzuleitung | supply main | 5 |
| 92-325 006-91/000 | Kabelbaum | cable | 3, 4 |
| 92-325 007-91/000 | Kabelbaum | cable | 3, 4 |
| 92-325 008-91/000 | Schutzleiter | ground wire | 5 |
| 92-325 009-05/000 | Schlauch 4x2x115 | tube 4x2x115 | 5 |
| 92-325 010-05/000 | Schlauch 4x2x290 | tube 4x2x290 | 3, 4, 5 |
| 92-325 012-91/000 | Kabelbaum | cable | 5 |
| 92-325 015-05/000 | Schlauch 6x2x25 | tube 6x2x25 | 3, 4 |
| 92-325 017-05/000 | Steckverteiler | flat tab | 5 |
| 92-325 019-91/000 | Schwimmer kpl. | float cpl. | 5 |
| 92-325 021-91/000 | Leiterplatte bestückt | pcb assembled | 5 |
| 92-325 022-05/000 | Kabelschutz | cable protection | 5 |
| 92-325 025-91/000 | Kabel | cable | 5 |
| 92-325 027-05/000 | O-Ring 26x2 | O-ring seal 26x2 | 5 |
| 92-325 028-05/000 | Schlauch (6x2)x68 | tube (6x2)x68 | 3, 4 |
| 92-325 029-91/000 | Temp.-Sensor kpl. | temp.-sensor cpl. | 3, 4 |
| 92-325 030-65/000 | Verschluss für Wasserbehälter | closure for tank | 5 |
| 92-325 031-91/000 | Träger mont. 560/580 VDE | bracket assambled 560/580 VDE | 5 |
| 92-325 032-05/000 | Haltefeder | retaining spring | 3, 4 |
| 92-325 036-91/000 | Relais bedruckt | relay prints on | 5 |
| 92-325 043-91/000 | Motor - Drehen Kpl | Motor- Turning Kpl. | 2 |
| 92-325 044-91/000 | Motor - Heben/Senken Kpl | Motor- Lifting /Lowering kpl | 2 |
| 93-033 118-55/000 | Schraube 3x8 | screw 3x8 | 5 |
| 93-681 140-00/000 | Gewindestift mit Spitze | set screw with conical tip | 1 |

Notizen • Notes • Notas • Note

Holek

Holek Production s.r.o.
Zábrdovická 9
615 00 Brno

Telefon: +420 545 425 660
Telefax: +420 545 425 663

Technische Änderungen vorbehalten

Subject to alterations in design

Sous toute réserve de modifications
techniques

Salvo modificaciones técnicas

Con riserva di modifiche tecniche

104 22 79-96