

**SPARE PARTS CATALOGUE
ERSATZTEILKATALOG
CATALOGUE PIECES DETACHEES
CATALOGO PARTI RICAMBIO
CATALOGO DE PIEZAS DE RECAMBIO
CATALOGO PECAS, DE REPOSICAO**

Catalogo parti di ricambio valido
dalla matricola 4365999 ad oggi (23/03/2021)

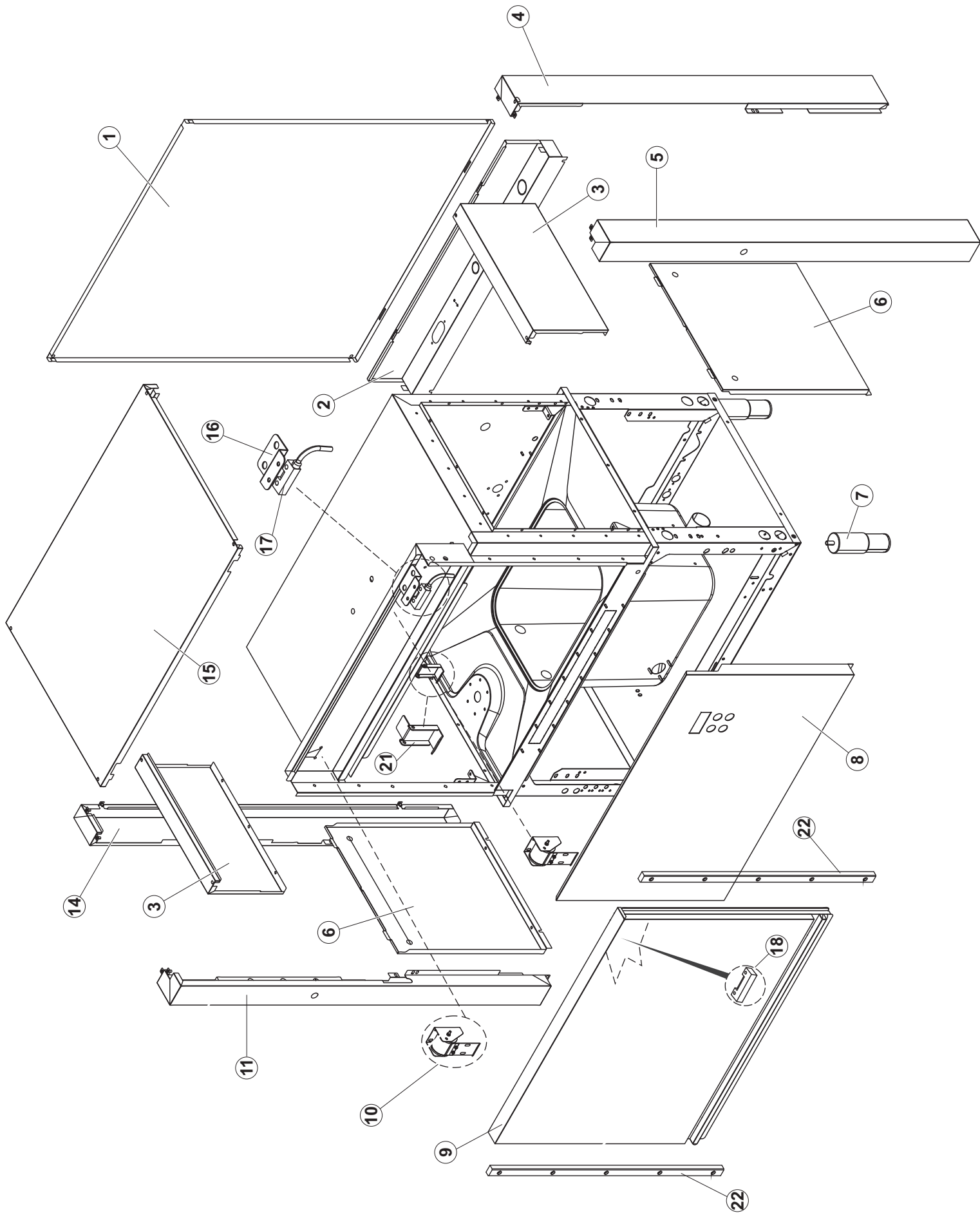
Catalogue pieces detachees
du numero de Série n. 4365999 jusqu'à aujourd'hui (23/03/2021)

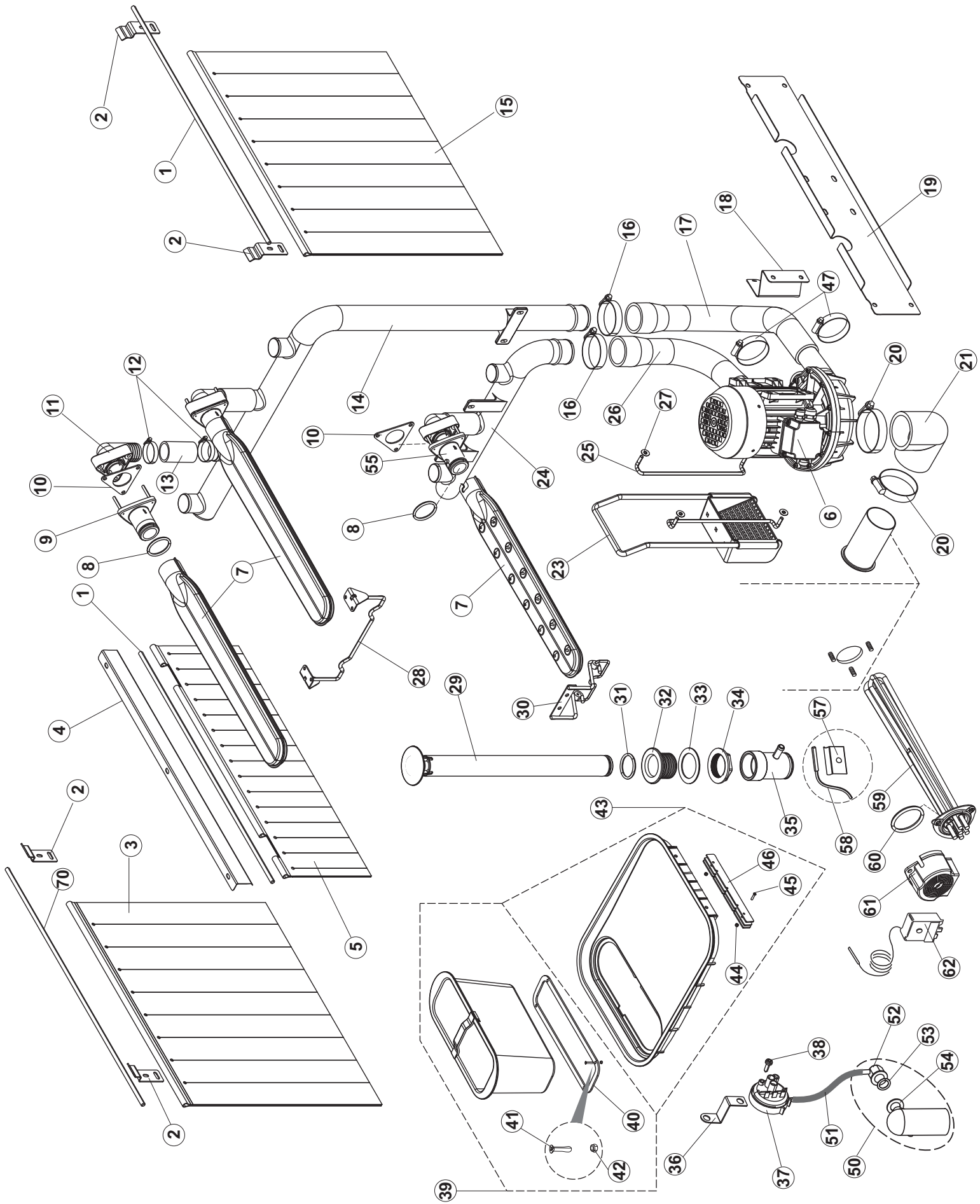
Ersatzteilkatalog
gültig ab Serien-Nr. 4365999 bis heute (23/03/2021)

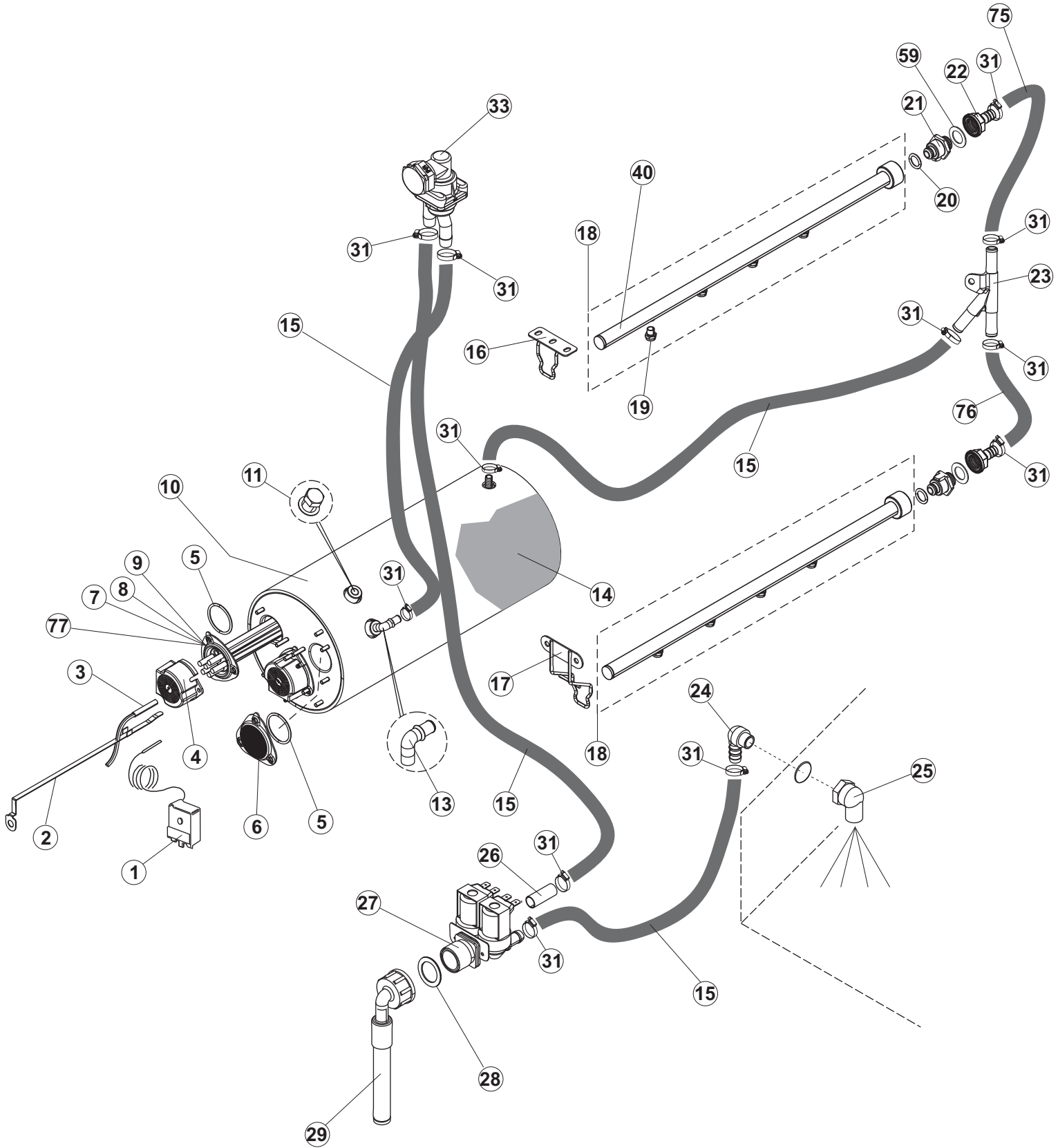
Spare parts catalogue
valid from serial no. 4365999 up today (23/03/2021)

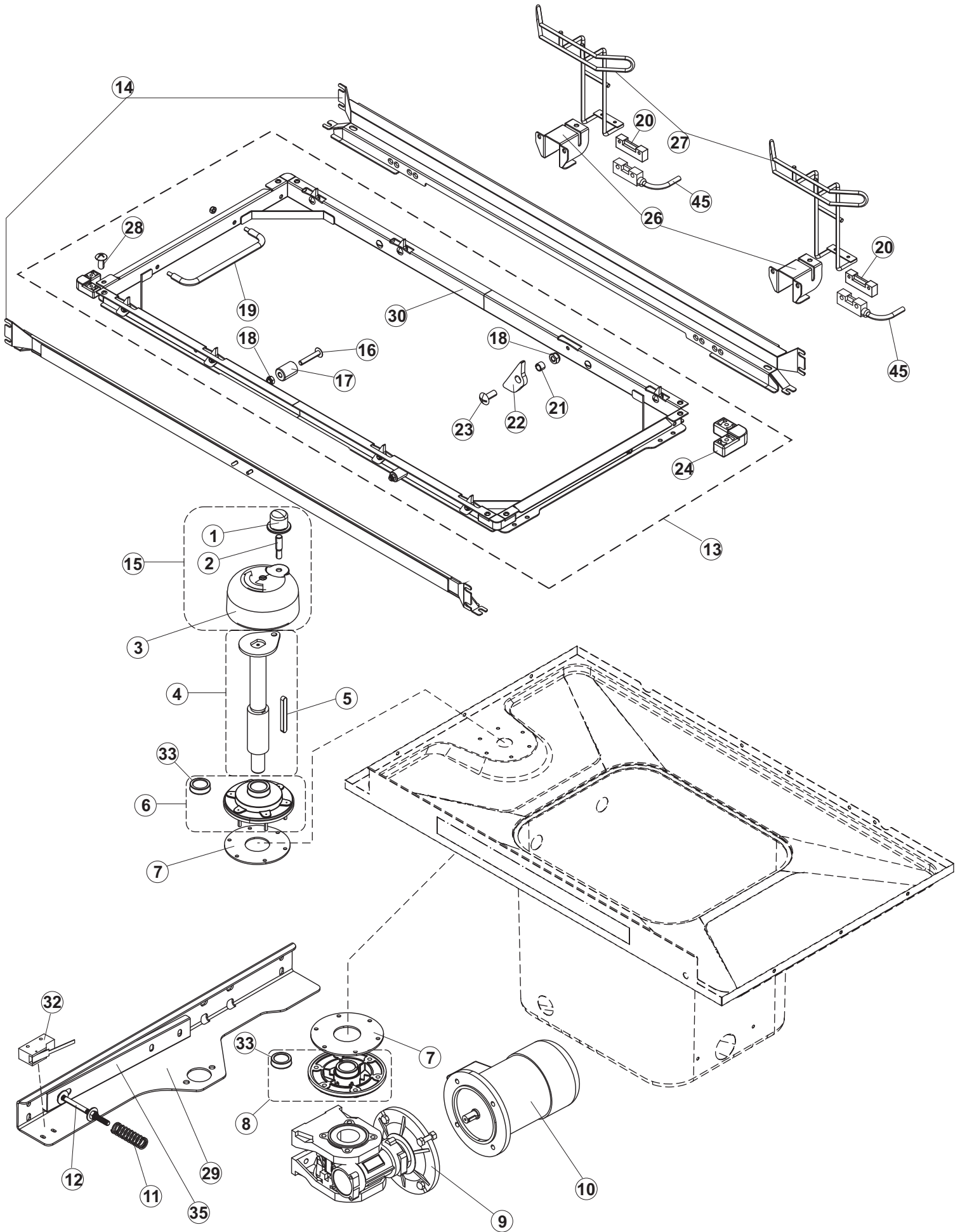
Catálogo de peças de reposição
válido do número de série 4365999 até hoje (23/03/2021)

ISYTECH31-10.1

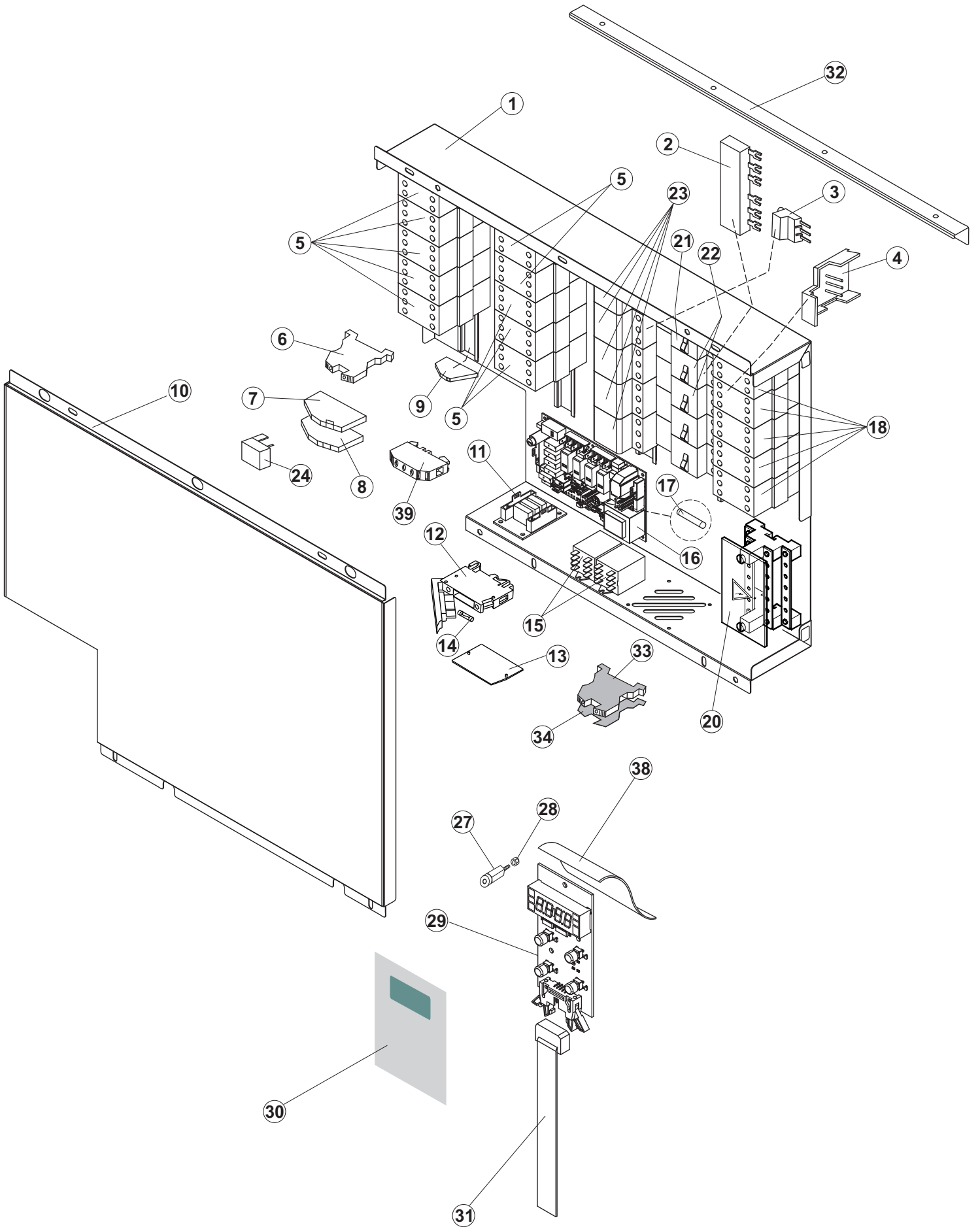




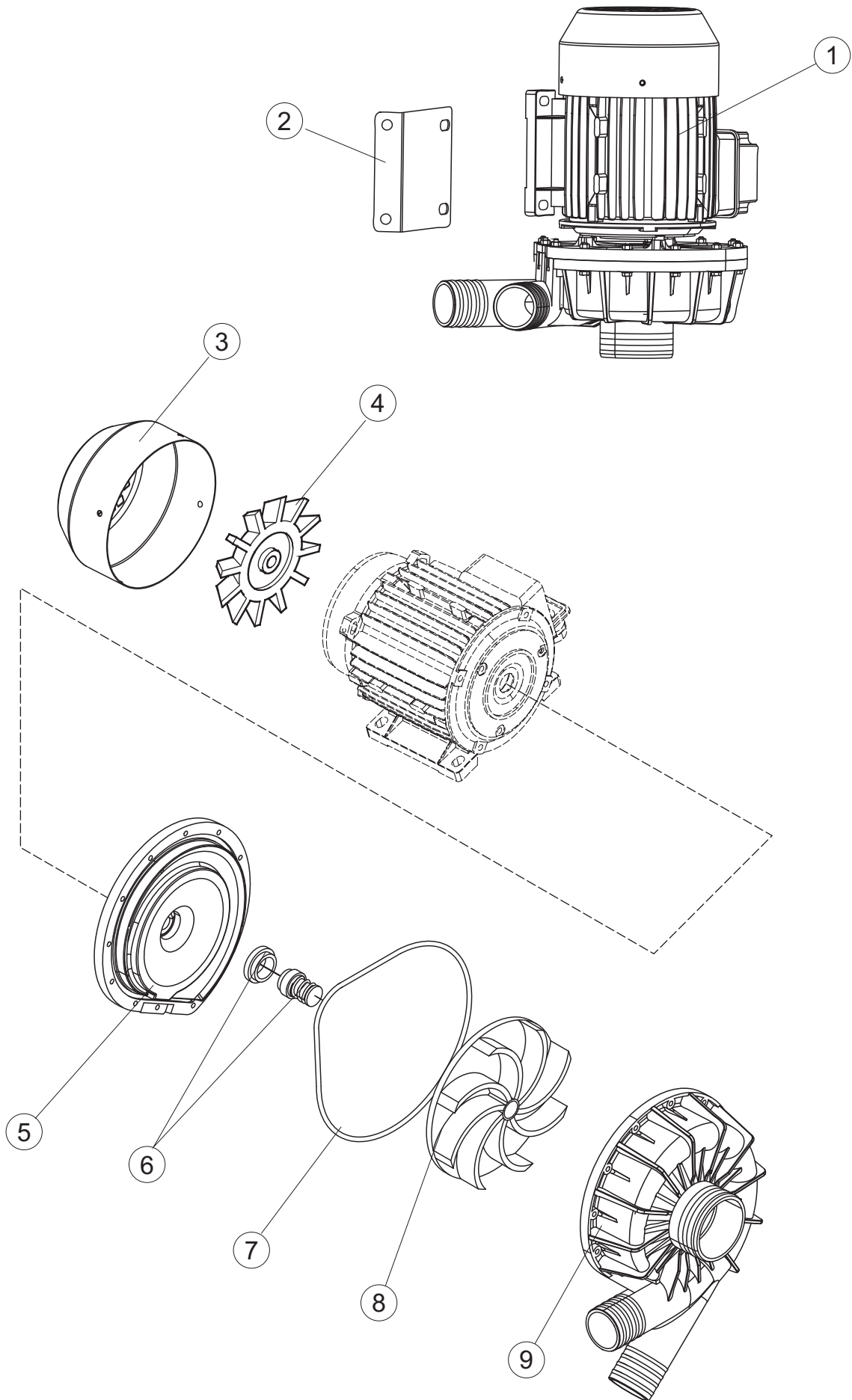




5



6



(*) Recommended spare part.

Page	Spare part position	Spare part code no.	Old code number	Description	U.m.
1	1	65244		PRICE TO BE DEFINED (PART NR. REPLACED BY 65448)	
1	1	65448		TOP BACK PANEL	NR
1	2	65080		BACK PANEL	NR
1	3	65035		FRONT PANEL	NR
1	4	65258		CORNER REAR RIGHT PANEL	NR
1	5	65337		SUPPORTING UPRIGHT	NR
1	6	65054		SIDE PANEL	NR
1	7	73100		FOOT	NR
1	8	65066		FRONT PANEL TIPO C4-2 CPL	NR
1	9	K65282		KIT DOOR WASH UNIT	NR
1	10	65654		DOOR SPRING KIT	NR
1	11	65338		CORNER FRONT RIGHT PANEL	NR
1	14	65259		CORNER REAR LEFT PANEL	NR
1	15	65050		TOP PANEL	NR
1	16	65256		BRACKET	NR
1	17	80871		MAGNETIC DOOR SWITCH	NR
1	18	927088	CWM7	MAGNET FOR HOOD MICROSWITCH	NR
1	21	75064		DOOR SAFETY HOOK FOR RACK-CONVEYOR	NR
1	22	75647		SLIDES CONVEYOR DOOR	NR
2	1	75124		CURTAIN SUPPORT FOR RACK-CONVEYOR DISH-	NR
2	2	65128		SUPPORT BRACKET	NR
2	3	65210		CURTAIN	NR
2	4	65162		CURTAIN SUPPORTING BRACKET	NR
2	5	65227		CURTAIN	NR
2	6	70100		WASHPUMP	NR
2	7	75616		COMPLETE WASH ARM	NR
2	8	CGR4131NT		O-RING	NR
2	9	75645		CONNECTING ARM	NR
2	10	437050	REB437050	GASKET	NR
2	11	75155		PIPE FITTING	NR
2	12	CFS32		PRICE TO BE DEFINED	
2	13	75154		DELIVERY WASH HOSE	NR

(*) Recommended spare part.

Page	Spare part position	Spare part code no.	Old code number	Description	U.m.
2	14	65177		PIPE	NR
2	15	65210		CURTAIN	NR
2	16	CFS2		CLAMP, TORRO W1/W2B 50-70/12	NR
2	17	65624		PIPE	NR
2	18	65326		SUPPORT BRACKET	NR
2	19	65330		BRACKET	NR
2	20	CFS3		CLAMP, HOSE-TYPE TORRO W2B 60-80/12	NR
2	21	926056	DZG461	PIPE ELBOW	NR
2	23	75661		PUMP ASPIRATION FILTER	NR
2	24	K65176		PIPE + PARZ.77018	NR
2	25	42092	C.42092	ASPIRATION FILTER SLIDE	NR
2	26	65623		PIPE	NR
2	27	472061		PART NUMBER NO LONGER AVAILABLE	
2	28	65293		BRACKET	NR
2	29	75864		OVERFLOW PIPE	NR
2	30	75105		SUPPORT BRACKET	NR
2	31	CGR4131NT		O-RING	NR
2	32	75871		DRAIN CONNECTION	NR
2	33	75873		GASKET	NR
2	34	75872		NUT WASTE DRAIN	NR
2	35	75639		DRAIN FITTING (PLASTIC)	NR
2	36	DAS20206		PRICE TO BE DEFINED	
2	37	926049	DEP45	PRESSURE SWITCH	NR
2	38	CVZ4		SCREW	NR
2	39	75429		COLLECTING FILTER WITH WEIGHT	NR
2	40	75428		WEIGHT FOR BASKET STAINER	NR
2	41	CVI1101		SCREW, INOX 4MAX10 TC/CROSS	NR
2	42	417091		NUT - SELF-LOCK	NR
2	43	75515		STAINER	NR
2	44	417091		NUT - SELF-LOCK	NR
2	45	75513		PRICE TO BE DEFINED	
2	46	75514		PRICE TO BE DEFINED	

(*) Recommended spare part.

Page	Spare part position	Spare part code no.	Old code number	Description	U.m.
2	47	CFS1A		HOSE CLAMP	NR
2	50	984005	REB984005	AIR TRAP, ASSY	NR
2	51	143005	SPG10	LINEN RUBBER PIPE 5X12 - BLACK	MT
2	52	468029	REB468029	AIR TRAP CONNECTION OF PRESSURE SWITCH	NR
2	53	456020	REB456020	O-RING	NR
2	54	437019	REB437019	PACKING FOR AIR TRAP OF PRESSURE SWITCH	NR
2	55	75648		CONNECTING ARM	NR
2	57	H.775489-001		SUPPORT TEMPERATURE PROBE	NR
2	58	231016		TEMPERATURE PROBE	NR
2	59	80397C		HEATING ELEMENT 10500W 230/400V	NR
2	60	456002	REB456002	O-RING	NR
2	61	69870		BOILER HEATING ELEMENT PROTECTION	NR
2	62	67870		THERMOSTAT	NR
2	70	77121		CURTAIN SUPPORT FOR RACK-CONVEYOR DISH-	NR
3	1	67870		THERMOSTAT	NR
3	2	69871		PROBE HOLDER	NR
3	3	231016		TEMPERATURE PROBE	NR
3	4	69870		BOILER HEATING ELEMENT PROTECTION	NR
3	5	456002	REB456002	O-RING	NR
3	6	926053	DWT100	CLOSED FLANGE CAP (170880543)	NR
3	7	230083C	REB230083C	HEATING ELEMENT 6KW	NR
3	8	230020C	REB230020C	KIT HEATING ELEMENTS REB230020 (8KW)	NR
3	9	80398C	C.80398C	READY-TO-ASSEMBLE KIT FOR HEATING	NR
3	10	65700		BOILER	NR
3	11	65875		CAP CHROME-PLATED BRASS	NR
3	13	65018		PIPE FITTING	NR
3	14	65245		COVER INSULATION	NR
3	15	143010	SPG61	RUBBER PIPE 12X19,5	MT
3	16	65582		BRACKET	NR
3	17	65588		SUPPORT BRACKET RINSE ARM	NR
3	18	65954		RINSE ARM INOX T101	NR
3	19	65950		STAINLESS STEEL RINSE SPRAY NOZZLE	NR

(*) Recommended spare part.

Page	Spare part position	Spare part code no.	Old code number	Description	U.m.
3	20	65727		O-RING 2050 12.42X1.78 EPDM 70SH A	NR
3	21	65883		INTERNAL RINSE PIPE FITTING AISI303	NR
3	21	65883		INTERNAL RINSE PIPE FITTING AISI303	NR
3	21	65883		INTERNAL RINSE PIPE FITTING AISI303	NR
3	21	65883		INTERNAL RINSE PIPE FITTING AISI303	NR
3	21	65883		INTERNAL RINSE PIPE FITTING AISI303	NR
3	21	65883		INTERNAL RINSE PIPE FITTING AISI303	NR
3	21	65883		INTERNAL RINSE PIPE FITTING AISI303	NR
3	21	65883		INTERNAL RINSE PIPE FITTING AISI303	NR
3	21	65883		INTERNAL RINSE PIPE FITTING AISI303	NR
3	22	66945		PIPE FITTING	NR
3	23	H.882974-001		MAINFOLD	NR
3	24	929163	DZR2622	BRASS RUBBER-PIPE HOLDER CONNECTION 3/8	NR
3	25	927013		PRICE TO BE DEFINED (PART NR. REPLACED BY 65876)	
3	25	65876		UNION ELBOW 3/8" AISI316	NR
3	26	75835		FLOW REDUCER	NR
3	27	929172		SOLENOID VALVE	NR
3	28	437041	REB437041	GASKET	NR
3	29	143277		INLET HOSE	NR
3	31	927322	CFS14	HOSE CLAMP	NR
3	33	144010NT	REB144010NT	NON-RETURN VALVE	NR
3	40	65845		RINSE ARM	NR
3	59	65749		GASKET ES/AM VERDE 33X21X1,5	NR
3	75	65747-A		RINSE PIPE L 200 RACC 90	NR
3	76	65747-B		RINSE PIPE L 380 RACC 90	NR
3	77	230034C		PRICE TO BE DEFINED	
4	1	75058		WASHER	NR
4	2	75234		PIVOT	NR
4	3	75649		SPLASH PROTECTION	NR
4	4	65235		GEAR SHAFT CONVEYOR	NR
4	5	65235C		GEARED MOTOR KEY	NR
4	6	K75141		UPPER FLANGE SHAFT CONVEYOR	NR

(*) Recommended spare part.

Page	Spare part position	Spare part code no.	Old code number	Description	U.m.
4	7	75168		GASKET	NR
4	8	K75057		LOWER BUSH & SEAL	NR
4	9	65923		GEARMOTOR SW050PA MEC71B5 I=50	NR
4	10	927104	DPM120	MOTOR 180W V 230/400	NR
4	11	CMT13		SPRING	NR
4	12	60354		SCREW	NR
4	13	75869		RACK CONVEYOR	NR
4	14	K65024		RACK SLIDE RACKCONVEYOR ONLY SPARE PART	NR
4	15	K75649		KIT PROTECTIVE PLATE OF SPLASHING WATER	NR
4	16	75310		SCREW	NR
4	17	75076		BUFFER FOR DRIVE STOP	NR
4	18	CDI206AU		NUT - SELF-LOCK	NR
4	19	75073		RACK CONVEYOR HANDLE	NR
4	20	927088	CWM7	MAGNET FOR HOOD MICROSWITCH	NR
4	21	75077		BUSH	NR
4	22	75071		RACK CONVEYOR COG	NR
4	23	CVI172		SCREW, INOX SPEC.6MAX16 T.1/2 T. POELIER	NR
4	24	75075		SLED CART TOWING	NR
4	25	65022		PRICE TO BE DEFINED	
4	26	75110		BRACKET ECONOMIZER	NR
4	27	75095		OPERATED RINSING LEVER	NR
4	28	486169	REB486169	STAINLESS STEEL SCREW 4MAX10 TBCR-SP	NR
4	29	65217		PRICE TO BE DEFINED	
4	30	75868		TOWING RACK	NR
4	32	927246	DEM11NT	MICROSWITCH	NR
4	33	927095	DWA202	SEAL RING MIM 30X40X7 (MIM 30407)	NR
4	35	75218		SUPPORT BRACKET	NR
4	45	80871		MAGNETIC DOOR SWITCH	NR
5	1	65680		PANEL FOR ELECTRICAL COMPONENTS	NR
5	2	80829		BAR ELECTRICAL CONNECTION	NR
5	3	80826		POWER CONNECTOR	NR
5	4	73830		CONNECTOR	NR

(*) Recommended spare part.

Page	Spare part position	Spare part code no.	Old code number	Description	U.m.
5	5	73351		CONTACTOR	NR
5	6	927115	DEM4L	TERMINAL BLOCK	NR
5	7	74938		TERMINAL	NR
5	8	74939		TERMINAL	NR
5	9	75817		ELECTRICAL CONNECTOR FOR U-SHAPED BAR	NR
5	10	65683		COVER	NR
5	11	74903		MAIN BOARD	NR
5	12	74935		FUSE-HOLDER	NR
5	13	H.228048		PRICE TO BE DEFINED	
5	14	228014		PRICE TO BE DEFINED (PART NR. REPLACED BY 228010)	
5	14	228010		FUSE	NR
5	15	229036		RELAY	NR
5	16	215042-2		MAIN BOARD 215042+ FIRMWARE26(FW_0_XXA.Q014)	NR
5	17	228010		FUSE	NR
5	18	73350		CONTACTOR	NR
5	20	75983		TERMINAL BLOCK	NR
5	21	DEI40N		AUTOMATIC SWITCH	NR
5	22	DEI36N		AUTOMATIC SWITCH	NR
5	23	927038	DEP2F	FUSE-HOLDER - TRIPOLAR GK1-DF	NR
5	24	74940		PRICE TO BE DEFINED	
5	27	419036		INTERFACE BOARD DISTANCE KEEPERS	NR
5	28	417119		NUT	NR
5	29	74901		CONTROL KEYBOARD	NR
5	30	66818		PRICE TO BE DEFINED	
5	31	74944		FLAT CABLE	NR
5	32	65491		BRACKET	NR
5	33	74936		TERMINAL	NR
5	34	65981		PLUG	NR
5	38	214088		PVC CURTAIN FOR ELECTRIC PROTECTION	NR
5	39	927114	DEM27	TERMINAL BLOCK	NR
6	1	70100		WASHPUMP	NR
6	2	70105		BRACKET	NR

(*) Recommended spare part.

Page	Spare part position	Spare part code no.	Old code number	Description	U.m.
6	3	70940		ELECTROPUMP FAN COVER	NR
6	4	70939		WASPUMP FUN	NR
6	5	70941		PART NUMBER NO LONGER AVAILABLE	
6	6	70942		WASPUMP SHAFT SEAL	NR
6	7	70943		O-RING	NR
6	8	70944		ELECTROPUMP IMPELLER	NR
6	9	70945		ELECTROPUMP HOUSING	NR